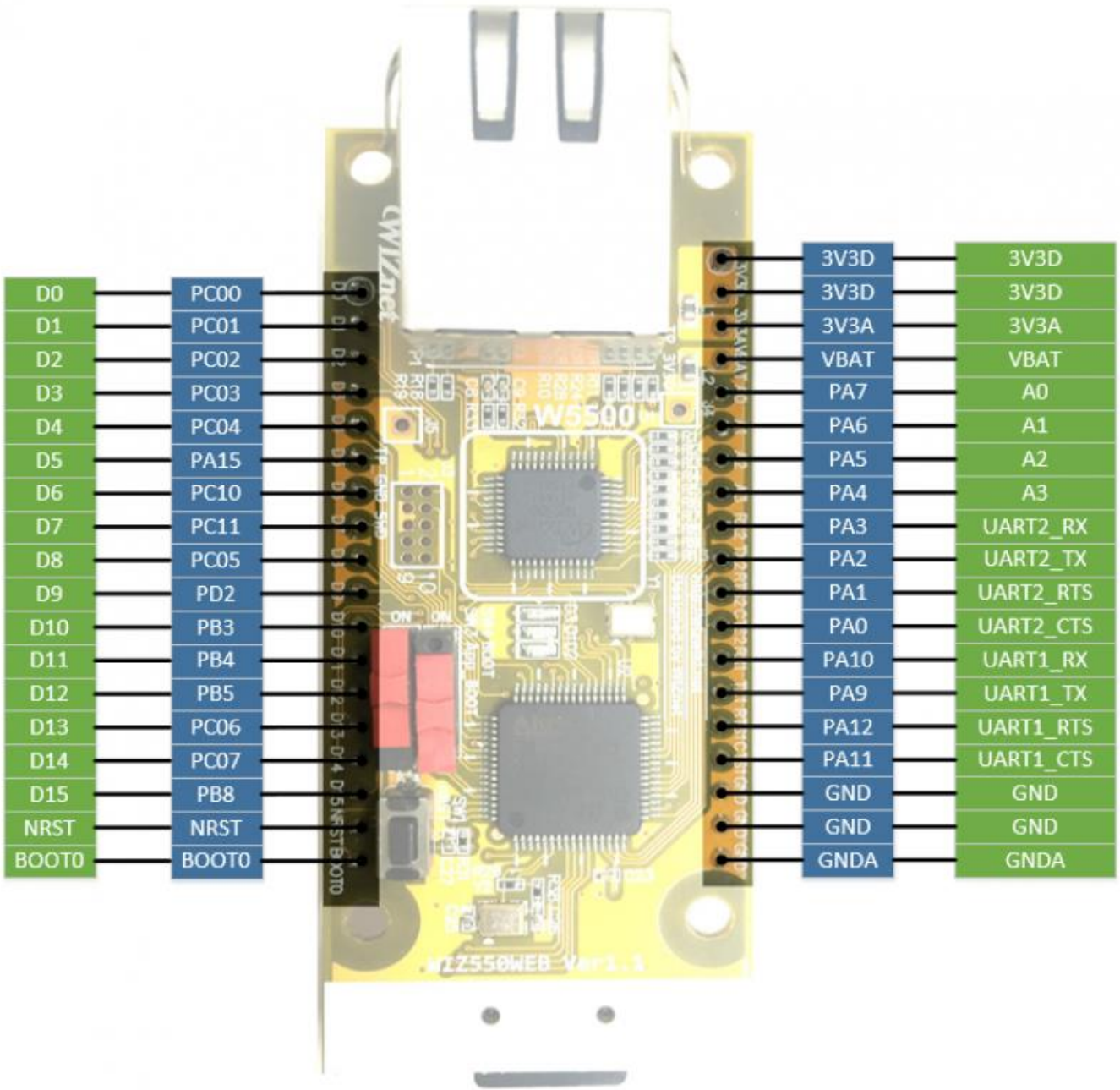


# **Hardware Specification**

## **WIZ550web**

- MCU : STM32F103RCT6 (256KB Flash, 48KB SRAM)
- TCP/IP Controller : W5500
- RJ45(Integrated Transformer) : J1B1211CCD
- External Flash Memory : AT45DB081D
- EEPROM : 24AA64T-I/OT
- 2.54mm Pin Header x 2

## **WIZ550web Pinout**



## Pin Description

As it is used in the EVB and for the web-server by default

Ref No.	Pin No.	Symbol	Type	Description
J1	1	D0	I/O	Digital 0 I/O

Ref No.	Pin No.	Symbol	Type	Description
2	D1	I/O	Digital 1 I/O	
3	D2	I/O	Digital 2 I/O	
4	D3	I/O	Digital 3 I/O	
5	D4	I/O	Digital 4 I/O	
6	D5	I/O	Digital 5 I/O	
7	D6	I/O	Digital 6 I/O	
8	D7	I/O	Digital 7 I/O	
9	D8	I/O	Digital 8 I/O / Boot Pin	
10	D9	I/O	Digital 9 I/O	
11	D10	I/O	Digital 10 I/O	
12	D11	I/O	Digital 11 I/O	
13	D12	I/O	Digital 12 I/O	
14	D13	I/O	Digital 13 I/O	
15	D14	I/O	Digital 14 I/O	
16	D15	I/O	Digital 15 I/O	
17	NRST	I	System Reset Input, Active Low	
18	BOOT0	I	BOOT0 Input, Active High	

Ref No.	Pin No.	Symbol	Type	Description
	1	3V3D	P	Supply DC +3.3V , Digital Power
J2	2	3V3D	P	Supply DC +3.3V , Digital Power
	3	3V3A	P	Supply DC +3.3V , Analog Power

Ref No.	Pin No.	Symbol	Type	Description
4		VBAT	P	Supply DC +3.3V , Low Power Mode
5		A0	I	Analog 0 Input
6		A1	I	Analog 1 Input
7		A2	I	Analog 2 Input
8		A3	I	Analog 3 Input
9		UART2_RX	I	Receiver input for UART2
10		UART2_TX	O	Transmitter output for UART2
11		UART2_RTS	O	Request To Send output for UART2
12		UART2_CTS	I	Clear To Send input for UART2
13		UART1_RX	I	Receiver input for UART1
14		UART1_TX	O	Transmitter output for UART1
15		UART1_RTS	O	Request To Send output for UART1
16		UART1_CTS	I	Clear To Send input for UART1
17		GND	P	Digital Power Ground
18		GND	P	Digital Power Ground
19		GND A	P	Analog Power Ground

AC/DC Characteristics

## WIZ550WEB

### General Operating Conditions

Symbol	Parameter	Pins	Min	Typ	Max	Unit
VDD	Standard operating voltage	3V3D	2	3.3	3.6	V

Symbol	Parameter	Pins	Min	Typ	Max	Unit
<b>VDDA</b>	Analog operation voltage (ADC not used)	3V3A	2.0	3.3	3.6	V
	Analog operation voltage (ADC used)	3V3A	2.4	3.3	3.6	V
<b>VBAT</b>	Backup operating voltage	VBAT	0.8	3.3	3.6	V
<b>VIN</b>	I/O Digital input voltage	D0~D15	0	-	VDD+0.3	V
	I/O Analog input voltage	A0~A3	0	-	VDD+0.3	V
	BOOT0	BOOT0	0	-	5.5	V
	NRST	NRST	0	-	VDD+0.3	V

## I/O Static Characteristic

Symbol	Parameter	Pins	Min	Typ	Max	Unit
<b>VIL</b>	Low level input voltage	D0~D15	-0.5	-	0.7	V
<b>VIH</b>	High level input voltage	D0~D15	2.0	-	VDD	V
<b>VIO</b>	Output current sunk by any I/O and control pin	D0~D15	-	-	25	mA
	Output current source by any I/O and control pin	D0~D15	-	-	-25	mA
<b>VIL(NRST)</b>	NRST Input low level voltage	NRST	-0.5	-	0.8	V
<b>VIH(NRST)</b>	NRST Input high level voltage	NRST	2	-	3.3	V

# Reference Schematic & Parts

## Schematic

항목	Version	Schematic
----	---------	-----------

WIZ550web 1.1	<a href="#">wiz550web_v1.1_20151217.pdf</a>
---------------	---

# WIZ550web

74.95mm(W) x 30mm(L) x 24mm(H) ( $\pm 0.5$ )

