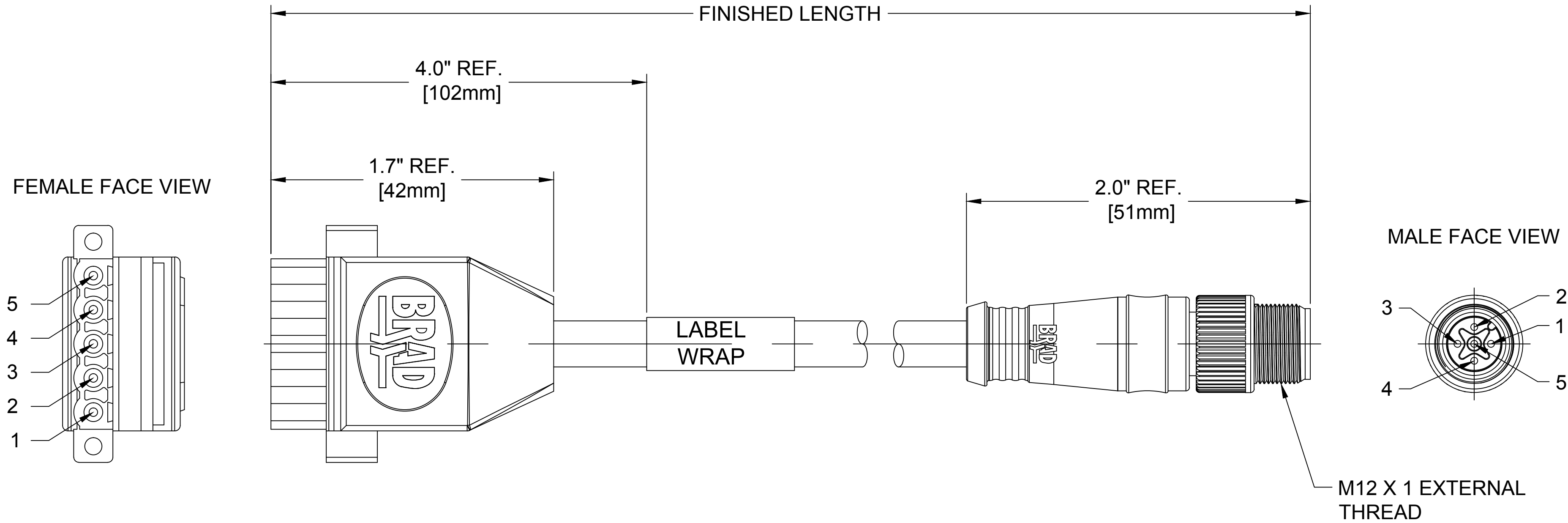


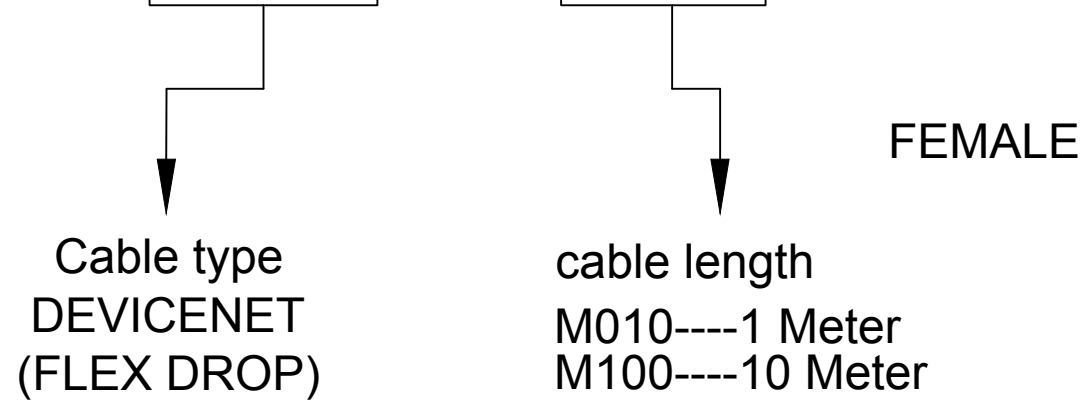
13	12	11	10	9	8	7	6	5	4	3	2	1
MATERIAL NUMBER		ENGINEERING NUMBER		FINISHED LENGTH								
1300390548		DNDF42A-M010		1M +55.6mm -0 [3.3FT +2.2IN -0]								



SPECIFICATION DATA

ELECTRICAL DATA:		
MAX. VOLTAGE: 250 VAC		
MAX. CURRENT: 4 AMPS		
ENVIRONMENTAL:		
PROTECTION IP20		
TEMPERATURE RANGE: -20°C TO 80°C		
CERTIFICATIONS:		
cCSAus FILE: LR6837		
ASSEMBLY IS RoHS COMPLIANT.		
LABEL	PLASTIC FILM	YELLOW
OVERMOLD	TPE	GRAY
COUPLING NUT	ZINC DIE-CAST	BLACK E-COAT
INSERT	NYLON	BLACK
CONTACTS	COPPER ALLOY	GOLD PLATING
D-NET OPEN CONNECTOR	POLYAMIDE	GRAY
CABLE #22/2 & #24/2 + DRAIN	TPE JACKET	GRAY
DESCRIPTION	MATERIAL	FINISH

DNDF42A-M010



WIRING DIAGRAM

3	DRAIN	1	MALE
5	RED	2	
1	BLACK	3	
4	WHITE	4	
2	BLUE	5	

RELEASE EC NO: ICG2014-0701 DRWN: GGUSTAFS 2013/10/17 CH'KD: BARDEN APPR: BWOODMAN 2013/10/21 DESCRIPTION REV	QUALITY SYMBOL	GENERAL TOLERANCES (UNLESS SPECIFIED)		DIMENSION STYLE		SCALE	DESIGN UNITS	THIRD ANGLE PROJECTION		
	▽=0	mm	INCH	IN/MM		NTS	INCH			
	∇=0	4 PLACES	±---	±---	DRAWN BY	DATE	TITLE			
		3 PLACES	±---	±.005	GGUSTAFS	2013/10/17	MICRO-CHANGE TO OPEN 5P MA ST TO FE OPEN DEVICENET FLEX DROP			
		2 PLACES	±0.13	±.010	CHECKED BY	DATE				
	1 PLACE	±0.25	±.020	BARDEN	2013/11/11	MOLEX INCORPORATED				
	ANGULAR ±.5°			APPROVED BY	DATE	DOCUMENT NO.		SHEET NO.		
	DRAFT WHERE APPLICABLE MUST REMAIN WITHIN DIMENSIONS			BWOODMAN	2013/10/21	SD-130039-058		1 OF 1		
	SIZE	THIS DRAWING CONTAINS INFORMATION THAT IS PROPRIETARY TO MOLEX INCORPORATED AND SHOULD NOT BE USED WITHOUT WRITTEN PERMISSION								
	C									