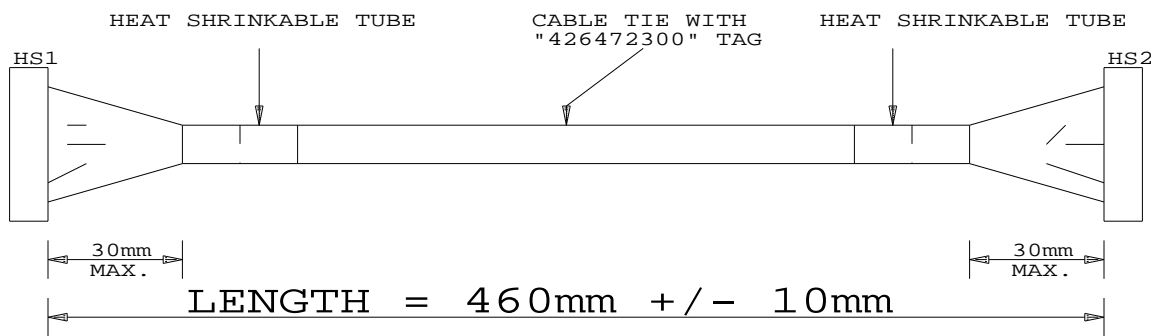
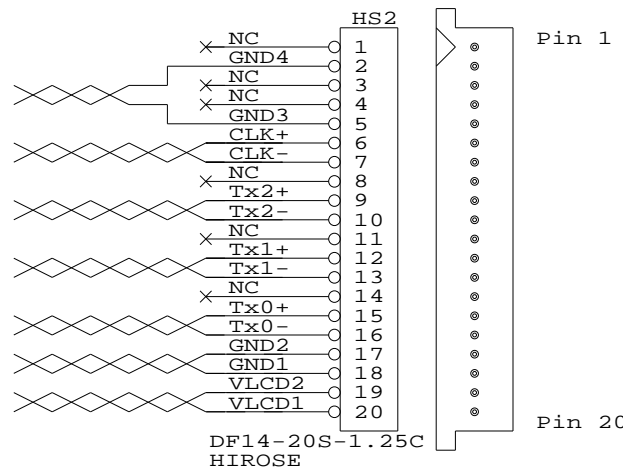
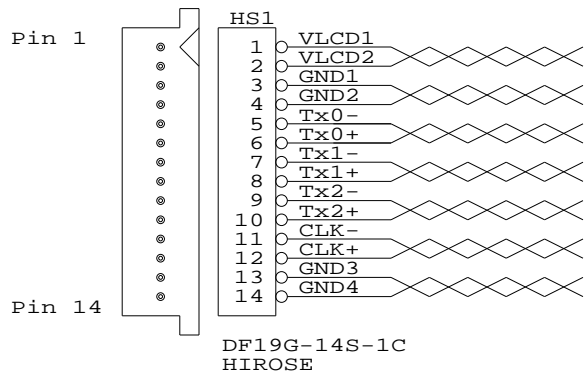


TOLERANCE :
+10mm
-10mm



USAGE:
FOR SAMSUNG LTN104S1-L01 10.4" SVGA PANEL

CABLE: SHIELDED ROUND
UL 20276, 7 PAIRS, 30AWG, L=460mm
JACKET: PVC COLOR BLACK

P/N 4264723-00
LVDS PANEL CABLE:
ROUND PAIRED FOR SVGA LVDS PANEL, 460mm

DIGITAL VIEW LTD.		
COPYRIGHT 2002, ALL RIGHTS RESERVED		
CONFIDENTIAL		
DRAWN BY: DICK CHEUNG		
Title		
P.CABLE: ROUND PAIRED FOR SVGA PANEL, 460mm		
Size	Document Number	REV
A	(G:... \DV \DV_CABLE \C6472300.SCH)	01
Date: September 20, 2002	Sheet	1 of 1