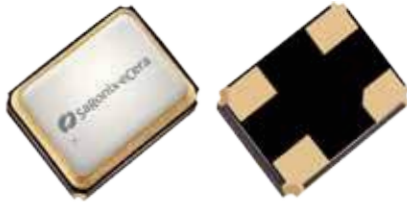


# 1.8V ~ 3.3VDC Clipped Sinewave TCXO

# WT325



3.2 x 2.5mm Ceramic SMD

Typical Frequencies available MHz:		
16.367667	16.369	19.200
25.000	26.000	40.000

## Product Features

- Low Current
- Tight temperature stability
- Clipped Sinewave output levels
- Excellent Phase Noise
- Industrial Temperature Range
- Pb-free and RoHS/Green compliant
- Fast lead time

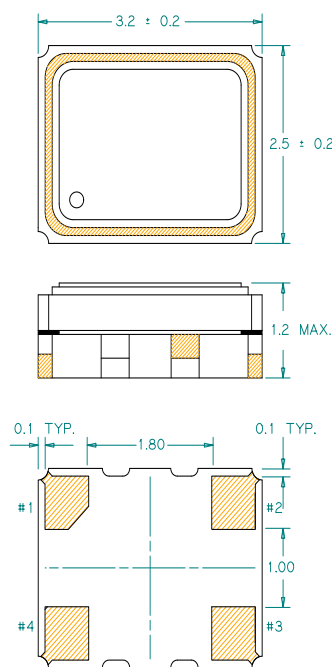
## Product Description

The WT325 TCXO series is a high performance temperature compensated oscillator with a clipped sinewave output for a very low operating supply current. It supports various power supply voltages, stabilities and other features. It is designed to meet existing application requirements.

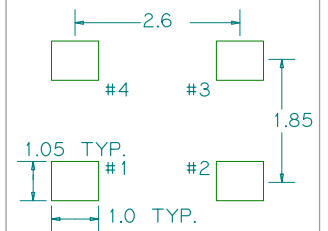
## Applications

- Networking systems
- Networking
- GPS/Navigation
- Metering
- Mobile and wireless
- Handset

## Package: (scale-none, dimensions in mm)



### Recommended Land Pattern:



## Pin Functions:

Pin	Function
1	Ground
2	Ground
3	Output
4	V <sub>DD</sub>

## Part Ordering Information:

WT325 V X FFFF.FFFFFFF

Voltage:	Stability and Temp Range:	Frequency:
1=+3.3V	Temp Range -20/+70C -30/+85C -30/+75C 0/+70C	FFFF.FFFFFFF
B=+3.0V	Stability +/-0.5ppm A F K P	MHz, "4 digits/decimal/6 digits" format
C=+2.8V	+/-1.0ppm B G L Q	
D=+2.7V	+/-1.5ppm C H M R	
3=+1.8V	+/-2.0ppm D I N S	
	+/-2.5ppm E J O T	

Following the above format, PSE Technology Corporation part numbers will be assigned upon confirmation of exact customer requirements.



### Electrical Performance

Parameter		Min.	Typ.	Max.	Units	Notes
Output Frequency		10		40	MHz	
Supply Voltage		1.8		3.3	V	See ordering options, VDD ±5%
Supply Current				1.5	mA	Output Frequency <= 26 MHz
				2.0	mA	Output Frequency > 26 MHz
Output Voltage Level		0.8		1.4	V	Pk-Pk
Output Load	Resistance	9	10	11	kΩ	
	Capacitance	9	10	11	pF	
Frequency Stability	vs Temperature	±0.5		±2.5	ppm	See ordering options
	vs Voltage			±0.2	ppm	±5% supply voltage change at typical load
	vs Load			±0.1	ppm	±10% load change
Frequency Aging				±1.0	ppm	First year, +25°C
Frequency Tolerance After Two Reflows				±2.0	ppm	@ +25°C±3°C after one hour recovery
Harmonics				-7	dBc	
Operating Temperature Range		-30		85	°C	See ordering options
Storage Temperature Range		-40		85	°C	

#### Notes:

- For specifications other than those listed, please contact sales.
- Not all combinations of VDD, Operating Temperature Range, Frequency Stability and Output Frequency are available.
- Frequency Stability vs. Temperature is reference to the mid-point between minimum and maximum frequency values over the specified Operating Temperature Range
- Frequency Stability vs. Voltage and vs. Load changes are reference to the Nominal Frequency at 25°C

**For the latest product information visit:** <http://www.pericom.com/products/timing/oscillators/WT325/>

**For test circuit go to:** [http://www.pericom.com/pdf/sre/TCXO\\_CLIPPEDESINE.pdf](http://www.pericom.com/pdf/sre/TCXO_CLIPPEDESINE.pdf)

**For soldering reflow profile and reliability test ratings go to:** <http://www.pericom.com/pdf/sre/reflow.pdf>

**For tape and reel information go to:** [http://www.pericom.com/pdf/sre/tr\\_3225\\_xo.pdf](http://www.pericom.com/pdf/sre/tr_3225_xo.pdf)