

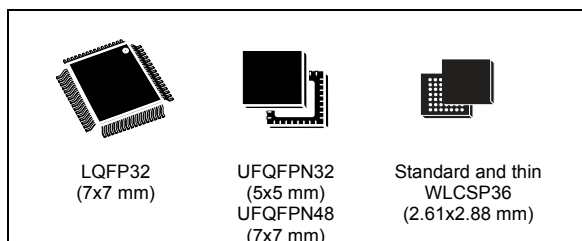
Ultra-low-power 32-bit MCU Arm[®]-based Cortex[®]-M0+, up to 192KB Flash, 20KB SRAM, 6KB EEPROM, USB, ADC, DACs, AES

Datasheet - production data

Features

Includes ST state-of-the-art patented technology

- Ultra-low-power platform
 - 1.65 V to 3.6 V power supply
 - -40 to 125 °C temperature range
 - 0.29 µA Standby mode (3 wakeup pins)
 - 0.43 µA Stop mode (16 wakeup lines)
 - 0.86 µA Stop mode + RTC + 20-Kbyte RAM retention
 - Down to 93 µA/MHz in Run mode
 - 5 µs wakeup time (from Flash memory)
 - 41 µA 12-bit ADC conversion at 10 ksp/s
- Core: Arm[®] 32-bit Cortex[®]-M0+ with MPU
 - From 32 kHz up to 32 MHz max.
 - 0.95 DMIPS/MHz
- Memories
 - Up to 192-Kbyte Flash memory with ECC (2 banks with read-while-write capability)
 - 20-Kbyte RAM
 - 6 Kbytes of data EEPROM with ECC
 - 20-byte backup register
 - Sector protection against R/W operation
- Up to 40 fast I/Os (34 I/Os 5V tolerant)
- Reset and supply management
 - Ultra-safe, low-power BOR (brownout reset) with 5 selectable thresholds
 - Ultra-low-power POR/PDR
 - Programmable voltage detector (PVD)
- Clock sources
 - 1 to 25 MHz crystal oscillator
 - 32 kHz oscillator for RTC with calibration
 - High speed internal 16 MHz factory-trimmed RC (+/- 1%)
 - Internal low-power 37 kHz RC
 - Internal multispeed low-power 65 kHz to 4.2 MHz RC
 - Internal self calibration of 48 MHz RC for USB
 - PLL for CPU clock
- Pre-programmed bootloader
 - USB, USART supported
- Development support
 - Serial wire debug supported
- Rich Analog peripherals
 - 12-bit ADC 1.14 Msps, up to 13 channels (down to 1.65 V)
 - 2 x 12-bit channel DACs with output buffers (down to 1.8 V)
 - 2x ultra-low-power comparators (window mode and wake up capability, down to 1.65 V)
- Up to 19 capacitive sensing channels supporting touchkey, linear and rotary touch sensors
- 7-channel DMA controller, supporting ADC, SPI, I2C, USART, DAC, Timers, AES
- 11x peripheral communication interfaces
 - 1x USB 2.0 crystal-less, battery charging detection and LPM
 - 4x USART (2 with ISO 7816, IrDA), 1x UART (low power)
 - Up to 6x SPI 16 Mbits/s
 - 3x I2C (2 with SMBus/PMBus)
- 11x timers: 2x 16-bit with up to 4 channels, 2x 16-bit with up to 2 channels, 1x 16-bit ultra-low-power timer, 1x SysTick, 1x RTC, 2x 16-bit basic for DAC, and 2x watchdogs (independent/window)
- CRC calculation unit, 96-bit unique ID
- True RNG and firewall protection
- Hardware Encryption Engine AES 128-bit
- All packages are ECOPACK2



Contents

| | | |
|----------|--|-----------|
| 1 | Introduction | 9 |
| 2 | Description | 10 |
| 2.1 | Device overview | 11 |
| 2.2 | Ultra-low-power device continuum | 13 |
| 3 | Functional overview | 14 |
| 3.1 | Low-power modes | 14 |
| 3.2 | Interconnect matrix | 19 |
| 3.3 | Arm® Cortex®-M0+ core with MPU | 20 |
| 3.4 | Reset and supply management | 21 |
| 3.4.1 | Power supply schemes | 21 |
| 3.4.2 | Power supply supervisor | 21 |
| 3.4.3 | Voltage regulator | 22 |
| 3.5 | Clock management | 22 |
| 3.6 | Low-power real-time clock and backup registers | 25 |
| 3.7 | General-purpose inputs/outputs (GPIOs) | 25 |
| 3.8 | Memories | 26 |
| 3.9 | Boot modes | 26 |
| 3.10 | Direct memory access (DMA) | 27 |
| 3.11 | Analog-to-digital converter (ADC) | 27 |
| 3.12 | Temperature sensor | 27 |
| 3.12.1 | Internal voltage reference (V_{REFINT}) | 28 |
| 3.13 | Digital-to-analog converter (DAC) | 28 |
| 3.14 | Ultra-low-power comparators and reference voltage | 29 |
| 3.15 | Touch sensing controller (TSC) | 29 |
| 3.16 | AES | 30 |
| 3.17 | Timers and watchdogs | 31 |
| 3.17.1 | General-purpose timers (TIM2, TIM3, TIM21 and TIM22) | 31 |
| 3.17.2 | Low-power Timer (LPTIM) | 32 |
| 3.17.3 | Basic timer (TIM6, TIM7) | 32 |
| 3.17.4 | SysTick timer | 32 |

| | | |
|----------|---|-----------|
| 3.17.5 | Independent watchdog (IWDG) | 32 |
| 3.17.6 | Window watchdog (WWDG) | 32 |
| 3.18 | Communication interfaces | 33 |
| 3.18.1 | I2C bus | 33 |
| 3.18.2 | Universal synchronous/asynchronous receiver transmitter (USART) | 34 |
| 3.18.3 | Low-power universal asynchronous receiver transmitter (LPUART) | 34 |
| 3.18.4 | Serial peripheral interface (SPI)/Inter-integrated sound (I2S) | 35 |
| 3.18.5 | Universal serial bus (USB) | 35 |
| 3.19 | Clock recovery system (CRS) | 36 |
| 3.20 | Cyclic redundancy check (CRC) calculation unit | 36 |
| 3.21 | Serial wire debug port (SW-DP) | 36 |
| 4 | Pin descriptions | 37 |
| 5 | Memory mapping | 48 |
| 6 | Electrical characteristics | 49 |
| 6.1 | Parameter conditions | 49 |
| 6.1.1 | Minimum and maximum values | 49 |
| 6.1.2 | Typical values | 49 |
| 6.1.3 | Typical curves | 49 |
| 6.1.4 | Loading capacitor | 49 |
| 6.1.5 | Pin input voltage | 49 |
| 6.1.6 | Power supply scheme | 50 |
| 6.1.7 | Current consumption measurement | 50 |
| 6.2 | Absolute maximum ratings | 51 |
| 6.3 | Operating conditions | 53 |
| 6.3.1 | General operating conditions | 53 |
| 6.3.2 | Embedded reset and power control block characteristics | 55 |
| 6.3.3 | Embedded internal reference voltage | 56 |
| 6.3.4 | Supply current characteristics | 57 |
| 6.3.5 | Wakeup time from low-power mode | 70 |
| 6.3.6 | External clock source characteristics | 72 |
| 6.3.7 | Internal clock source characteristics | 76 |
| 6.3.8 | PLL characteristics | 79 |
| 6.3.9 | Memory characteristics | 80 |
| 6.3.10 | EMC characteristics | 81 |

| | | |
|-----------|--|------------|
| 6.3.11 | Electrical sensitivity characteristics | 83 |
| 6.3.12 | I/O current injection characteristics | 84 |
| 6.3.13 | I/O port characteristics | 85 |
| 6.3.14 | NRST pin characteristics | 89 |
| 6.3.15 | 12-bit ADC characteristics | 90 |
| 6.3.16 | DAC electrical characteristics | 96 |
| 6.3.17 | Temperature sensor characteristics | 99 |
| 6.3.18 | Comparators | 99 |
| 6.3.19 | Timer characteristics | 101 |
| 6.3.20 | Communications interfaces | 101 |
| 7 | Package information | 110 |
| 7.1 | WLCSP49 package information | 111 |
| 7.2 | UFQFPN48 package information | 114 |
| 7.3 | LQFP32 package information | 117 |
| 7.4 | UFQFPN32 package information | 121 |
| 7.5 | Thermal characteristics | 124 |
| 7.5.1 | Reference document | 125 |
| 8 | Ordering information | 126 |
| 9 | Important security notice | 127 |
| 10 | Revision history | 128 |

List of tables

| | | |
|-----------|--|----|
| Table 1. | Ultra-low-power STM32L082xx device features and peripheral counts | 11 |
| Table 2. | Functionalities depending on the operating power supply range | 16 |
| Table 3. | CPU frequency range depending on dynamic voltage scaling | 16 |
| Table 4. | Functionalities depending on the working mode (from Run/active down to standby) | 17 |
| Table 5. | STM32L082xx peripherals interconnect matrix | 19 |
| Table 6. | Temperature sensor calibration values | 28 |
| Table 7. | Internal voltage reference measured values | 28 |
| Table 8. | Capacitive sensing GPIOs available on STM32L082xx devices | 30 |
| Table 9. | Timer feature comparison | 31 |
| Table 10. | Comparison of I2C analog and digital filters | 33 |
| Table 11. | STM32L082xx I ² C implementation | 33 |
| Table 12. | USART implementation | 34 |
| Table 13. | SPI/I2S implementation | 35 |
| Table 14. | Legend/abbreviations used in the pinout table | 39 |
| Table 15. | STM32L082xx pin definition | 39 |
| Table 16. | Alternate functions port A | 45 |
| Table 17. | Alternate functions port B | 46 |
| Table 18. | Alternate functions port C | 47 |
| Table 19. | Alternate functions port H | 47 |
| Table 20. | Voltage characteristics | 51 |
| Table 21. | Current characteristics | 52 |
| Table 22. | Thermal characteristics | 52 |
| Table 23. | General operating conditions | 53 |
| Table 24. | Embedded reset and power control block characteristics | 55 |
| Table 25. | Embedded internal reference voltage calibration values | 56 |
| Table 26. | Embedded internal reference voltage | 56 |
| Table 27. | Current consumption in Run mode, code with data processing running from Flash memory | 58 |
| Table 28. | Current consumption in Run mode vs code type, code with data processing running from Flash memory | 59 |
| Table 29. | Current consumption in Run mode, code with data processing running from RAM | 60 |
| Table 30. | Current consumption in Run mode vs code type, code with data processing running from RAM | 61 |
| Table 31. | Current consumption in Sleep mode | 62 |
| Table 32. | Current consumption in Low-power run mode | 63 |
| Table 33. | Current consumption in Low-power sleep mode | 64 |
| Table 34. | Typical and maximum current consumptions in Stop mode | 65 |
| Table 35. | Typical and maximum current consumptions in Standby mode | 66 |
| Table 36. | Average current consumption during Wakeup | 67 |
| Table 37. | Peripheral current consumption in Run or Sleep mode | 68 |
| Table 38. | Peripheral current consumption in Stop and Standby mode | 70 |
| Table 39. | Low-power mode wakeup timings | 70 |
| Table 40. | High-speed external user clock characteristics | 72 |
| Table 41. | Low-speed external user clock characteristics | 73 |
| Table 42. | HSE oscillator characteristics | 74 |
| Table 43. | LSE oscillator characteristics | 75 |
| Table 44. | 16 MHz HSI16 oscillator characteristics | 76 |

| | | |
|-----------|--|-----|
| Table 45. | HSI48 oscillator characteristics | 77 |
| Table 46. | LSI oscillator characteristics | 77 |
| Table 47. | MSI oscillator characteristics | 77 |
| Table 48. | PLL characteristics | 79 |
| Table 49. | RAM and hardware registers | 80 |
| Table 50. | Flash memory and data EEPROM characteristics | 80 |
| Table 51. | Flash memory and data EEPROM endurance and retention | 80 |
| Table 52. | EMS characteristics | 81 |
| Table 53. | EMI characteristics for fHCLK = 32 MHz | 82 |
| Table 54. | ESD absolute maximum ratings | 83 |
| Table 55. | Electrical sensitivities | 83 |
| Table 56. | I/O current injection susceptibility | 84 |
| Table 57. | I/O static characteristics | 85 |
| Table 58. | Output voltage characteristics | 87 |
| Table 59. | I/O AC characteristics | 88 |
| Table 60. | NRST pin characteristics | 89 |
| Table 61. | ADC characteristics | 90 |
| Table 62. | R _{AIN} max for f _{ADC} = 16 MHz | 92 |
| Table 63. | ADC accuracy | 92 |
| Table 64. | DAC characteristics | 96 |
| Table 65. | Temperature sensor calibration values | 99 |
| Table 66. | Temperature sensor characteristics | 99 |
| Table 67. | Comparator 1 characteristics | 99 |
| Table 68. | Comparator 2 characteristics | 100 |
| Table 69. | TIMx characteristics | 101 |
| Table 70. | I2C analog filter characteristics | 102 |
| Table 71. | SPI characteristics in voltage Range 1 | 102 |
| Table 72. | SPI characteristics in voltage Range 2 | 104 |
| Table 73. | SPI characteristics in voltage Range 3 | 105 |
| Table 74. | USB startup time | 108 |
| Table 75. | USB DC electrical characteristics | 108 |
| Table 76. | USB: full speed electrical characteristics | 109 |
| Table 77. | WLCSP49 - 49-pin, 3.294 x 3.258 mm, 0.4 mm pitch wafer level chip scale package mechanical data | 112 |
| Table 78. | WLCSP49 recommended PCB design rules (0.4 mm pitch) | 113 |
| Table 79. | UFQFPN48 – Mechanical data | 115 |
| Table 80. | LQFP32 – Mechanical data | 118 |
| Table 81. | UFQFPN32 – Mechanical data | 122 |
| Table 82. | Thermal characteristics | 124 |
| Table 83. | Document revision history | 128 |

List of figures

| | | |
|------------|--|-----|
| Figure 1. | STM32L082xx block diagram | 12 |
| Figure 2. | Clock tree | 24 |
| Figure 3. | STM32L082xx WLCSP49 ballout | 37 |
| Figure 4. | STM32L082xx UFQFPN48 | 37 |
| Figure 5. | STM32L082xx LQFP32 pinout | 38 |
| Figure 6. | STM32L082xx UFQFPN32 pinout | 38 |
| Figure 7. | Pin loading conditions | 49 |
| Figure 8. | Pin input voltage | 49 |
| Figure 9. | Power supply scheme | 50 |
| Figure 10. | Current consumption measurement scheme | 50 |
| Figure 11. | IDD vs VDD, at TA= 25/55/85/105 °C, Run mode, code running from Flash memory, Range 2, HSE, 1WS | 59 |
| Figure 12. | IDD vs VDD, at TA= 25/55/85/105 °C, Run mode, code running from Flash memory, Range 2, HSI16, 1WS | 60 |
| Figure 13. | IDD vs VDD, at TA= 25 °C, Low-power run mode, code running from RAM, Range 3, MSI (Range 0) at 64 KHz, 0 WS | 64 |
| Figure 14. | IDD vs VDD, at TA= 25/55/ 85/105/125 °C, Stop mode with RTC enabled and running on LSE Low drive | 65 |
| Figure 15. | IDD vs VDD, at TA= 25/55/85/105/125 °C, Stop mode with RTC disabled, all clocks OFF | 66 |
| Figure 16. | High-speed external clock source AC timing diagram | 72 |
| Figure 17. | Low-speed external clock source AC timing diagram | 73 |
| Figure 18. | HSE oscillator circuit diagram | 74 |
| Figure 19. | Typical application with a 32.768 kHz crystal | 75 |
| Figure 20. | HSI16 minimum and maximum value versus temperature | 76 |
| Figure 21. | VIH/VIL versus VDD (CMOS I/Os) | 86 |
| Figure 22. | VIH/VIL versus VDD (TTL I/Os) | 86 |
| Figure 23. | I/O AC characteristics definition | 89 |
| Figure 24. | Recommended NRST pin protection | 90 |
| Figure 25. | ADC accuracy characteristics | 93 |
| Figure 26. | Typical connection diagram using the ADC | 94 |
| Figure 27. | Power supply and reference decoupling (V_{REF+} not connected to V_{DDA}) | 94 |
| Figure 28. | Power supply and reference decoupling (V_{REF+} connected to V_{DDA}) | 95 |
| Figure 29. | 12-bit buffered/non-buffered DAC | 98 |
| Figure 30. | SPI timing diagram - slave mode and CPHA = 0 | 106 |
| Figure 31. | SPI timing diagram - slave mode and CPHA = 1 ⁽¹⁾ | 106 |
| Figure 32. | SPI timing diagram - master mode ⁽¹⁾ | 107 |
| Figure 33. | USB timings: definition of data signal rise and fall time | 108 |
| Figure 34. | WLCSP49 - 49-pin, 3.294 x 3.258 mm, 0.4 mm pitch wafer level chip scale package outline | 111 |
| Figure 35. | WLCSP49 - 49-pin, 3.294 x 3.258 mm, 0.4 mm pitch wafer level chip scale recommended footprint | 112 |
| Figure 36. | WLCSP49 marking example (package top view) | 113 |
| Figure 37. | UFQFPN48 – Outline | 114 |
| Figure 38. | UFQFPN48 – Recommended footprint | 115 |
| Figure 39. | UFQFPN48 marking example (package top view) | 116 |
| Figure 40. | LQFP32 – Outline ⁽¹⁵⁾ | 117 |
| Figure 41. | LQFP32 – Recommended footprint | 119 |

| | | |
|------------|---|-----|
| Figure 42. | LQFP32 marking example (package top view) | 120 |
| Figure 43. | UFQFPN32 – Outline | 121 |
| Figure 44. | UFQFPN32 – Recommended footprint | 122 |
| Figure 45. | UFQFPN32 marking example (package top view) | 123 |
| Figure 46. | Thermal resistance | 125 |

1 Introduction

The ultra-low-power STM32L082xx are offered in 32- and 49-pin packages. Depending on the device chosen, different sets of peripherals are included, the description below gives an overview of the complete range of peripherals proposed in this family.

These features make the ultra-low-power STM32L082xx microcontrollers suitable for a wide range of applications:

- Gas/water meters and industrial sensors
- Healthcare and fitness equipment
- Remote control and user interface
- PC peripherals, gaming, GPS equipment
- Alarm system, wired and wireless sensors, video intercom

This STM32L082xx datasheet should be read in conjunction with the STM32L0x2xx reference manual (RM0376).

For information on the device errata with respect to the datasheet and reference manual, refer to the STM32L082xx errata sheet (ES0292), available on the STMicroelectronics website www.st.com.

For information on the Arm^{®(a)} Cortex[®]-M0+ core please refer to the Cortex[®]-M0+ Technical Reference Manual, available from the www.arm.com website.

Figure 1 shows the general block diagram of the device family.



a. Arm is a registered trademark of Arm Limited (or its subsidiaries) in the US and/or elsewhere.

2 Description

The ultra-low-power STM32L082xx microcontrollers incorporate the connectivity power of the universal serial bus (USB 2.0 crystal-less) with the high-performance Arm Cortex-M0+ 32-bit RISC core operating at a 32 MHz frequency, a memory protection unit (MPU), high-speed embedded memories (up to 192 Kbytes of Flash program memory, 6 Kbytes of data EEPROM and 20 Kbytes of RAM) plus an extensive range of enhanced I/Os and peripherals.

The STM32L082xx devices provide high power efficiency for a wide range of performance. It is achieved with a large choice of internal and external clock sources, an internal voltage adaptation and several low-power modes.

The STM32L082xx devices offer several analog features, one 12-bit ADC with hardware oversampling, two DACs, two ultra-low-power comparators, AES, several timers, one low-power timer (LPTIM), four general-purpose 16-bit timers and two basic timer, one RTC and one SysTick which can be used as timebases. They also feature two watchdogs, one watchdog with independent clock and window capability and one window watchdog based on bus clock.

Moreover, the STM32L082xx devices embed standard and advanced communication interfaces: up to three I2Cs, two SPIs, one I2S, four USARTs, a low-power UART (LPUART), and a crystal-less USB. The devices offer up to 19 capacitive sensing channels to simply add touch sensing functionality to any application.

The STM32L082xx also include a real-time clock and a set of backup registers that remain powered in Standby mode.

The ultra-low-power STM32L082xx devices operate from a 1.8 to 3.6 V power supply (down to 1.65 V at power down) with BOR and from a 1.65 to 3.6 V power supply without BOR option. They are available in the -40 to +125 °C temperature range. A comprehensive set of power-saving modes allows the design of low-power applications.

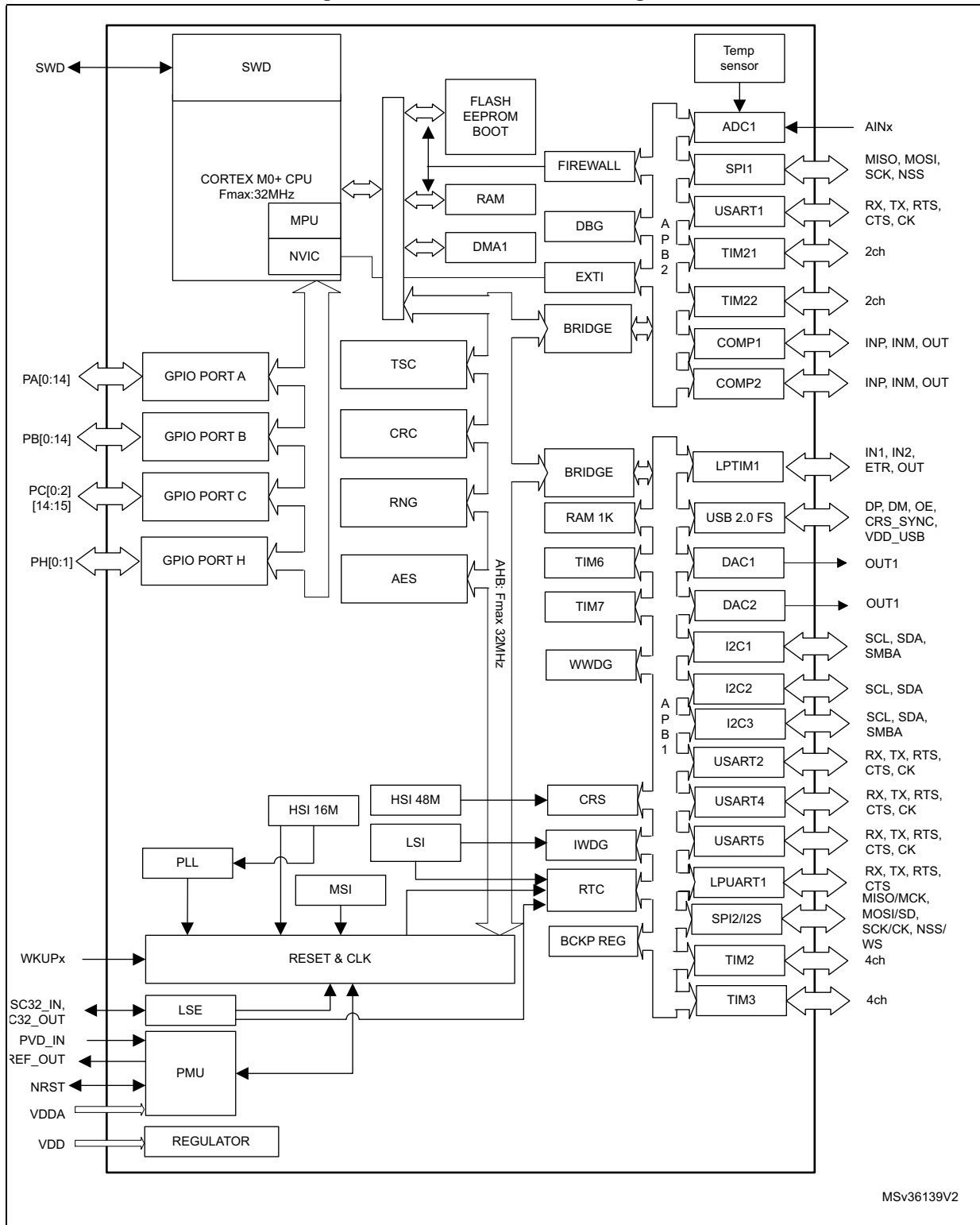
2.1 Device overview

Table 1. Ultra-low-power STM32L082xx device features and peripheral counts

| Peripheral | | STM32L082KB | STM32L082KZ | STM32L082CZ |
|-----------------------------|------------------|---|-------------|-----------------------|
| Flash (Kbytes) | | 128 Kbytes | 192 Kbytes | |
| Data EEPROM (Kbytes) | | 6 Kbytes | | |
| RAM (Kbytes) | | 20 Kbytes | | |
| AES | | 1 | | |
| Timers | General-purpose | 4 | | |
| | Basic | 2 | | |
| | LPTIMER | 1 | | |
| RTC/SYSTICK/IWDG/WWDG | | 1/1/1/1 | | |
| Communication interfaces | SPI/I2S | 4 ⁽³⁾ /0 | | 6 ⁽⁴⁾ /2/1 |
| | I ² C | 2 | | 3 |
| | USART | 4 ⁽³⁾ | | 4 |
| | LPUART | 1 | | |
| | USB/(VDD_USB) | 1/(0) ⁽³⁾ | | 1/(1) |
| GPIOs | | 25 ⁽³⁾ | | 40 |
| Clocks: HSE/LSE/HSI/MSI/LSI | | 0/1/1/1/1 | | 1/1/1/1/1 |
| 12-bit synchronized ADC | | 1 | | 1 |
| Number of channels | | 10 | | 13 |
| 12-bit DAC | | 2 | | |
| Number of channels | | 2 | | |
| Comparators | | 2 | | |
| Capacitive sensing channels | | 13 ⁽³⁾ | | 19 |
| Max. CPU frequency | | 32 MHz | | |
| Operating voltage | | 1.8 V to 3.6 V (down to 1.65 V at power-down) with BOR option 1.65 to 3.6 V without BOR option | | |
| Operating temperatures | | Ambient temperature: –40 to +125 °C Junction temperature: –40 to +130 °C | | |
| Packages | | UFQFPN32, LQFP32 | | WLCSP49, UFQFPN48 |

- 3 SPI interfaces are USARTs operating in SPI master mode.
- 4 SPI interfaces are USARTs operating in SPI master mode.
- UFQFP32 has 2 GPIOs, 1 UART and 1 capacitive sensing channel less than LQFP32. However, UFQFP32 features a VDD_USB pin while LQFP32 does not.

Figure 1. STM32L082xx block diagram



2.2 Ultra-low-power device continuum

The ultra-low-power family offers a large choice of core and features, from 8-bit proprietary core up to Arm® Cortex®-M4, including Arm® Cortex®-M3 and Arm® Cortex®-M0+. The STM32Lx series are the best choice to answer your needs in terms of ultra-low-power features. The STM32 ultra-low-power series are the best solution for applications such as gaz/water meter, keyboard/mouse or fitness and healthcare application. Several built-in features like LCD drivers, dual-bank memory, low-power run mode, operational amplifiers, 128-bit AES, DAC, crystal-less USB and many other definitely help you building a highly cost optimized application by reducing BOM cost. STMicroelectronics, as a reliable and long-term manufacturer, ensures as much as possible pin-to-pin compatibility between all STM8Lx and STM32Lx on one hand, and between all STM32Lx and STM32Fx on the other hand. Thanks to this unprecedented scalability, your legacy application can be upgraded to respond to the latest market feature and efficiency requirements.

3 Functional overview

3.1 Low-power modes

The ultra-low-power STM32L082xx support dynamic voltage scaling to optimize its power consumption in Run mode. The voltage from the internal low-drop regulator that supplies the logic can be adjusted according to the system's maximum operating frequency and the external voltage supply.

There are three power consumption ranges:

- Range 1 (V_{DD} range limited to 1.71-3.6 V), with the CPU running at up to 32 MHz
- Range 2 (full V_{DD} range), with a maximum CPU frequency of 16 MHz
- Range 3 (full V_{DD} range), with a maximum CPU frequency limited to 4.2 MHz

Seven low-power modes are provided to achieve the best compromise between low-power consumption, short startup time and available wakeup sources:

- **Sleep mode**

In Sleep mode, only the CPU is stopped. All peripherals continue to operate and can wake up the CPU when an interrupt/event occurs. Sleep mode power consumption at 16 MHz is about 1 mA with all peripherals off.

- **Low-power run mode**

This mode is achieved with the multispeed internal (MSI) RC oscillator set to the low-speed clock (max 131 kHz), execution from SRAM or Flash memory, and internal regulator in low-power mode to minimize the regulator's operating current. In Low-power run mode, the clock frequency and the number of enabled peripherals are both limited.

- **Low-power sleep mode**

This mode is achieved by entering Sleep mode with the internal voltage regulator in low-power mode to minimize the regulator's operating current. In Low-power sleep mode, both the clock frequency and the number of enabled peripherals are limited; a typical example would be to have a timer running at 32 kHz.

When wakeup is triggered by an event or an interrupt, the system reverts to the Run mode with the regulator on.

- **Stop mode with RTC**

The Stop mode achieves the lowest power consumption while retaining the RAM and register contents and real time clock. All clocks in the V_{CORE} domain are stopped, the PLL, MSI RC, HSE crystal and HSI RC oscillators are disabled. The LSE or LSI is still running. The voltage regulator is in the low-power mode.

Some peripherals featuring wakeup capability can enable the HSI RC during Stop mode to detect their wakeup condition.

The device can be woken up from Stop mode by any of the EXTI line, in 3.5 μ s, the processor can serve the interrupt or resume the code. The EXTI line source can be any GPIO. It can be the PVD output, the comparator 1 event or comparator 2 event (if internal reference voltage is on), it can be the RTC alarm/tamper/timestamp/wakeup events, the USB/USART/I2C/LPUART/LPTIMER wakeup events.

- **Stop mode without RTC**

The Stop mode achieves the lowest power consumption while retaining the RAM and register contents. All clocks are stopped, the PLL, MSI RC, HSI and LSI RC, HSE and LSE crystal oscillators are disabled.

Some peripherals featuring wakeup capability can enable the HSI RC during Stop mode to detect their wakeup condition.

The voltage regulator is in the low-power mode. The device can be woken up from Stop mode by any of the EXTI line, in 3.5 μ s, the processor can serve the interrupt or resume the code. The EXTI line source can be any GPIO. It can be the PVD output, the comparator 1 event or comparator 2 event (if internal reference voltage is on). It can also be wakened by the USB/USART/I2C/LPUART/LPTIMER wakeup events.

- **Standby mode with RTC**

The Standby mode is used to achieve the lowest power consumption and real time clock. The internal voltage regulator is switched off so that the entire V_{CORE} domain is powered off. The PLL, MSI RC, HSE crystal and HSI RC oscillators are also switched off. The LSE or LSI is still running. After entering Standby mode, the RAM and register contents are lost except for registers in the Standby circuitry (wakeup logic, IWDG, RTC, LSI, LSE Crystal 32 KHz oscillator, RCC_CSR register).

The device exits Standby mode in 60 μ s when an external reset (NRST pin), an IWDG reset, a rising edge on one of the three WKUP pins, RTC alarm (Alarm A or Alarm B), RTC tamper event, RTC timestamp event or RTC Wakeup event occurs.

- **Standby mode without RTC**

The Standby mode is used to achieve the lowest power consumption. The internal voltage regulator is switched off so that the entire V_{CORE} domain is powered off. The PLL, MSI RC, HSI and LSI RC, HSE and LSE crystal oscillators are also switched off. After entering Standby mode, the RAM and register contents are lost except for registers in the Standby circuitry (wakeup logic, IWDG, RTC, LSI, LSE Crystal 32 KHz oscillator, RCC_CSR register).

The device exits Standby mode in 60 μ s when an external reset (NRST pin) or a rising edge on one of the three WKUP pin occurs.

Note: The RTC, the IWDG, and the corresponding clock sources are not stopped automatically by entering Stop or Standby mode.

Table 2. Functionalities depending on the operating power supply range

| Operating power supply range ⁽¹⁾ | Functionalities depending on the operating power supply range | | |
|---|---|-------------------------------|---------------------------|
| | DAC and ADC operation | Dynamic voltage scaling range | USB |
| $V_{DD} = 1.65$ to 1.71 V | ADC only, conversion time up to 570 ksp/s | Range 2 or range 3 | Not functional |
| $V_{DD} = 1.71$ to 1.8 V ⁽²⁾ | ADC only, conversion time up to 1.14 Msp/s | Range 1, range 2 or range 3 | Functional ⁽³⁾ |
| $V_{DD} = 1.8$ to 2.0 V ⁽²⁾ | Conversion time up to 1.14 Msp/s | Range 1, range 2 or range 3 | Functional ⁽³⁾ |
| $V_{DD} = 2.0$ to 2.4 V | Conversion time up to 1.14 Msp/s | Range 1, range 2 or range 3 | Functional ⁽³⁾ |
| $V_{DD} = 2.4$ to 3.6 V | Conversion time up to 1.14 Msp/s | Range 1, range 2 or range 3 | Functional ⁽³⁾ |

1. GPIO speed depends on V_{DD} voltage range. Refer to [Table 59: I/O AC characteristics](#) for more information about I/O speed.
2. CPU frequency changes from initial to final must respect "fcpu initial < 4*fcpu final". It must also respect 5 μ s delay between two changes. For example to switch from 4.2 MHz to 32 MHz, you can switch from 4.2 MHz to 16 MHz, wait 5 μ s, then switch from 16 MHz to 32 MHz.
3. To be USB compliant from the I/O voltage standpoint, the minimum V_{DD_USB} is 3.0 V.

Table 3. CPU frequency range depending on dynamic voltage scaling

| CPU frequency range | Dynamic voltage scaling range |
|--|-------------------------------|
| 16 MHz to 32 MHz (1ws) 32 kHz to 16 MHz (0ws) | Range 1 |
| 8 MHz to 16 MHz (1ws) 32 kHz to 8 MHz (0ws) | Range 2 |
| 32 kHz to 4.2 MHz (0ws) | Range 3 |

**Table 4. Functionalities depending on the working mode
(from Run/active down to standby) ⁽¹⁾⁽²⁾**

| IPs | Run/Active | Sleep | Low-power run | Low-power sleep | Stop | | Standby | |
|-------------------------------------|------------|-------|---------------|-----------------|-------------------|-------------------|---------|---|
| | | | | | Wakeup capability | Wakeup capability | | |
| CPU | Y | -- | Y | -- | -- | | -- | |
| Flash memory | O | O | O | O | -- | | -- | |
| RAM | Y | Y | Y | Y | Y | | -- | |
| Backup registers | Y | Y | Y | Y | Y | | Y | |
| EEPROM | O | O | O | O | -- | | -- | |
| Brown-out reset (BOR) | O | O | O | O | O | O | O | O |
| DMA | O | O | O | O | -- | | -- | |
| Programmable Voltage Detector (PVD) | O | O | O | O | O | O | - | |
| Power-on/down reset (POR/PDR) | Y | Y | Y | Y | Y | Y | Y | Y |
| High Speed Internal (HSI) | O | O | -- | -- | ⁽³⁾ | | -- | |
| High Speed External (HSE) | O | O | O | O | -- | | -- | |
| Low Speed Internal (LSI) | O | O | O | O | O | | O | |
| Low Speed External (LSE) | O | O | O | O | O | | O | |
| Multi-Speed Internal (MSI) | O | O | Y | Y | -- | | -- | |
| Inter-Connect Controller | Y | Y | Y | Y | Y | | -- | |
| RTC | O | O | O | O | O | O | O | |
| RTC Tamper | O | O | O | O | O | O | O | O |
| Auto WakeUp (AWU) | O | O | O | O | O | O | O | O |
| USB | O | O | -- | -- | -- | O | -- | |
| USART | O | O | O | O | O ⁽⁴⁾ | O | -- | |
| LPUART | O | O | O | O | O ⁽⁴⁾ | O | -- | |
| SPI | O | O | O | O | -- | | -- | |
| I2C | O | O | -- | -- | O ⁽⁵⁾ | O | -- | |
| ADC | O | O | -- | -- | -- | | -- | |
| DAC | O | O | O | O | O | | -- | |

Table 4. Functionalities depending on the working mode (from Run/active down to standby) (continued)⁽¹⁾⁽²⁾

| IPs | Run/Active | Sleep | Low-power run | Low-power sleep | Stop | | Standby | |
|---|---|--|---------------|-----------------|--|-------------------|---|--------|
| | | | | | Wakeup capability | Wakeup capability | | |
| Temperature sensor | O | O | O | O | O | | -- | |
| Comparators | O | O | O | O | O | O | -- | |
| 16-bit timers | O | O | O | O | -- | | -- | |
| LPTIMER | O | O | O | O | O | O | | |
| IWDG | O | O | O | O | O | O | O | O |
| WWDG | O | O | O | O | -- | | -- | |
| Touch sensing controller (TSC) | O | O | -- | -- | -- | | -- | |
| SysTick Timer | O | O | O | O | | | -- | |
| GPIOs | O | O | O | O | O | O | | 2 pins |
| Wakeup time to Run mode | 0 μs | 0.36 μs | 3 μs | 32 μs | 3.5 μs | | 50 μs | |
| Consumption V _{DD} =1.8 to 3.6 V (Typ) | Down to 140 μA/MHz (from Flash memory) | Down to 37 μA/MHz (from Flash memory) | Down to 8 μA | Down to 4.5 μA | 0.4 μA (No RTC) V _{DD} =1.8 V | | 0.28 μA (No RTC) V _{DD} =1.8 V | |
| | | | | | 0.8 μA (with RTC) V _{DD} =1.8 V | | 0.65 μA (with RTC) V _{DD} =1.8 V | |
| | | | | | 0.4 μA (No RTC) V _{DD} =3.0 V | | 0.29 μA (No RTC) V _{DD} =3.0 V | |
| | | | | | 1 μA (with RTC) V _{DD} =3.0 V | | 0.85 μA (with RTC) V _{DD} =3.0 V | |

- Legend:
 "Y" = Yes (enable).
 "O" = Optional can be enabled/disabled by software)
 "-" = Not available
- The consumption values given in this table are preliminary data given for indication. They are subject to slight changes.
- Some peripherals with wakeup from Stop capability can request HSI to be enabled. In this case, HSI is woken up by the peripheral, and only feeds the peripheral which requested it. HSI is automatically put off when the peripheral does not need it anymore.
- UART and LPUART reception is functional in Stop mode. It generates a wakeup interrupt on Start. To generate a wakeup on address match or received frame event, the LPUART can run on LSE clock while the UART has to wake up or keep running the HSI clock.
- I2C address detection is functional in Stop mode. It generates a wakeup interrupt in case of address match. It will wake up the HSI during reception.

3.2 Interconnect matrix

Several peripherals are directly interconnected. This allows autonomous communication between peripherals, thus saving CPU resources and power consumption. In addition, these hardware connections allow fast and predictable latency.

Depending on peripherals, these interconnections can operate in Run, Sleep, Low-power run, Low-power sleep and Stop modes.

Table 5. STM32L082xx peripherals interconnect matrix

| Interconnect source | Interconnect destination | Interconnect action | Run | Sleep | Low-power run | Low-power sleep | Stop |
|---------------------|--------------------------|--|-----|-------|---------------|-----------------|------|
| COMPx | TIM2,TIM21, TIM22 | Timer input channel, trigger from analog signals comparison | Y | Y | Y | Y | - |
| | LPTIM | Timer input channel, trigger from analog signals comparison | Y | Y | Y | Y | Y |
| TIMx | TIMx | Timer triggered by other timer | Y | Y | Y | Y | - |
| RTC | TIM21 | Timer triggered by Auto wake-up | Y | Y | Y | Y | - |
| | LPTIM | Timer triggered by RTC event | Y | Y | Y | Y | Y |
| All clock source | TIMx | Clock source used as input channel for RC measurement and trimming | Y | Y | Y | Y | - |
| USB | CRS/HSI48 | the clock recovery system trims the HSI48 based on USB SOF | Y | Y | - | - | - |
| | TIM3 | USB_SOF is channel input for calibration | Y | Y | - | - | - |
| GPIO | TIMx | Timer input channel and trigger | Y | Y | Y | Y | - |
| | LPTIM | Timer input channel and trigger | Y | Y | Y | Y | Y |
| | ADC,DAC | Conversion trigger | Y | Y | Y | Y | - |

3.3 Arm® Cortex®-M0+ core with MPU

The Cortex-M0+ processor is an entry-level 32-bit Arm Cortex processor designed for a broad range of embedded applications. It offers significant benefits to developers, including:

- a simple architecture that is easy to learn and program
- ultra-low power, energy-efficient operation
- excellent code density
- deterministic, high-performance interrupt handling
- upward compatibility with Cortex-M processor family
- platform security robustness, with integrated Memory Protection Unit (MPU).

The Cortex-M0+ processor is built on a highly area and power optimized 32-bit processor core, with a 2-stage pipeline Von Neumann architecture. The processor delivers exceptional energy efficiency through a small but powerful instruction set and extensively optimized design, providing high-end processing hardware including a single-cycle multiplier.

The Cortex-M0+ processor provides the exceptional performance expected of a modern 32-bit architecture, with a higher code density than other 8-bit and 16-bit microcontrollers.

Owing to its embedded Arm core, the STM32L082xx are compatible with all Arm tools and software.

Nested vectored interrupt controller (NVIC)

The ultra-low-power STM32L082xx embed a nested vectored interrupt controller able to handle up to 32 maskable interrupt channels and 4 priority levels.

The Cortex-M0+ processor closely integrates a configurable Nested Vectored Interrupt Controller (NVIC), to deliver industry-leading interrupt performance. The NVIC:

- includes a Non-Maskable Interrupt (NMI)
- provides zero jitter interrupt option
- provides four interrupt priority levels

The tight integration of the processor core and NVIC provides fast execution of Interrupt Service Routines (ISRs), dramatically reducing the interrupt latency. This is achieved through the hardware stacking of registers, and the ability to abandon and restart load-multiple and store-multiple operations. Interrupt handlers do not require any assembler wrapper code, removing any code overhead from the ISRs. Tail-chaining optimization also significantly reduces the overhead when switching from one ISR to another.

To optimize low-power designs, the NVIC integrates with the sleep modes, that include a deep sleep function that enables the entire device to enter rapidly stop or standby mode.

This hardware block provides flexible interrupt management features with minimal interrupt latency.

3.4 Reset and supply management

3.4.1 Power supply schemes

- $V_{DD} = 1.65$ to 3.6 V: external power supply for I/Os and the internal regulator. Provided externally through V_{DD} pins.
- V_{SSA} , $V_{DDA} = 1.65$ to 3.6 V: external analog power supplies for ADC reset blocks, RCs and PLL. V_{DDA} and V_{SSA} must be connected to V_{DD} and V_{SS} , respectively.
- $V_{DD_USB} = 1.65$ to 3.6 V: external power supply for USB transceiver, USB_DM (PA11) and USB_DP (PA12). To guarantee a correct voltage level for USB communication V_{DD_USB} must be above 3.0 V. If USB is not used this pin must be tied to V_{DD} or V_{SS} . On packages without V_{DD_USB} pin, V_{DD_USB} voltage is internally connected to V_{DD} voltage.

3.4.2 Power supply supervisor

The devices have an integrated ZEROPOWER power-on reset (POR)/power-down reset (PDR) that can be coupled with a brownout reset (BOR) circuitry.

Two versions are available:

- The version with BOR activated at power-on operates between 1.8 V and 3.6 V.
- The other version without BOR operates between 1.65 V and 3.6 V.

After the V_{DD} threshold is reached (1.65 V or 1.8 V depending on the BOR which is active or not at power-on), the option byte loading process starts, either to confirm or modify default thresholds, or to disable the BOR permanently: in this case, the V_{DD} min value becomes 1.65 V (whatever the version, BOR active or not, at power-on).

When BOR is active at power-on, it ensures proper operation starting from 1.8 V whatever the power ramp-up phase before it reaches 1.8 V. When BOR is not active at power-up, the power ramp-up should guarantee that 1.65 V is reached on V_{DD} at least 1 ms after it exits the POR area.

Five BOR thresholds are available through option bytes, starting from 1.8 V to 3 V. To reduce the power consumption in Stop mode, it is possible to automatically switch off the internal reference voltage (V_{REFINT}) in Stop mode. The device remains in reset mode when V_{DD} is below a specified threshold, $V_{POR/PDR}$ or V_{BOR} , without the need for any external reset circuit.

Note: The start-up time at power-on is typically 3.3 ms when BOR is active at power-up, the start-up time at power-on can be decreased down to 1 ms typically for devices with BOR inactive at power-up.

The devices feature an embedded programmable voltage detector (PVD) that monitors the V_{DD}/V_{DDA} power supply and compares it to the V_{PVD} threshold. This PVD offers 7 different levels between 1.85 V and 3.05 V, chosen by software, with a step around 200 mV. An interrupt can be generated when V_{DD}/V_{DDA} drops below the V_{PVD} threshold and/or when V_{DD}/V_{DDA} is higher than the V_{PVD} threshold. The interrupt service routine can then generate a warning message and/or put the MCU into a safe state. The PVD is enabled by software.

3.4.3 Voltage regulator

The regulator has three operation modes: main (MR), low power (LPR) and power down.

- MR is used in Run mode (nominal regulation)
- LPR is used in the Low-power run, Low-power sleep and Stop modes
- Power down is used in Standby mode. The regulator output is high impedance, the kernel circuitry is powered down, inducing zero consumption but the contents of the registers and RAM are lost except for the standby circuitry (wake-up logic, IWDG, RTC, LSI, LSE crystal 32 KHz oscillator, RCC_CSR).

3.5 Clock management

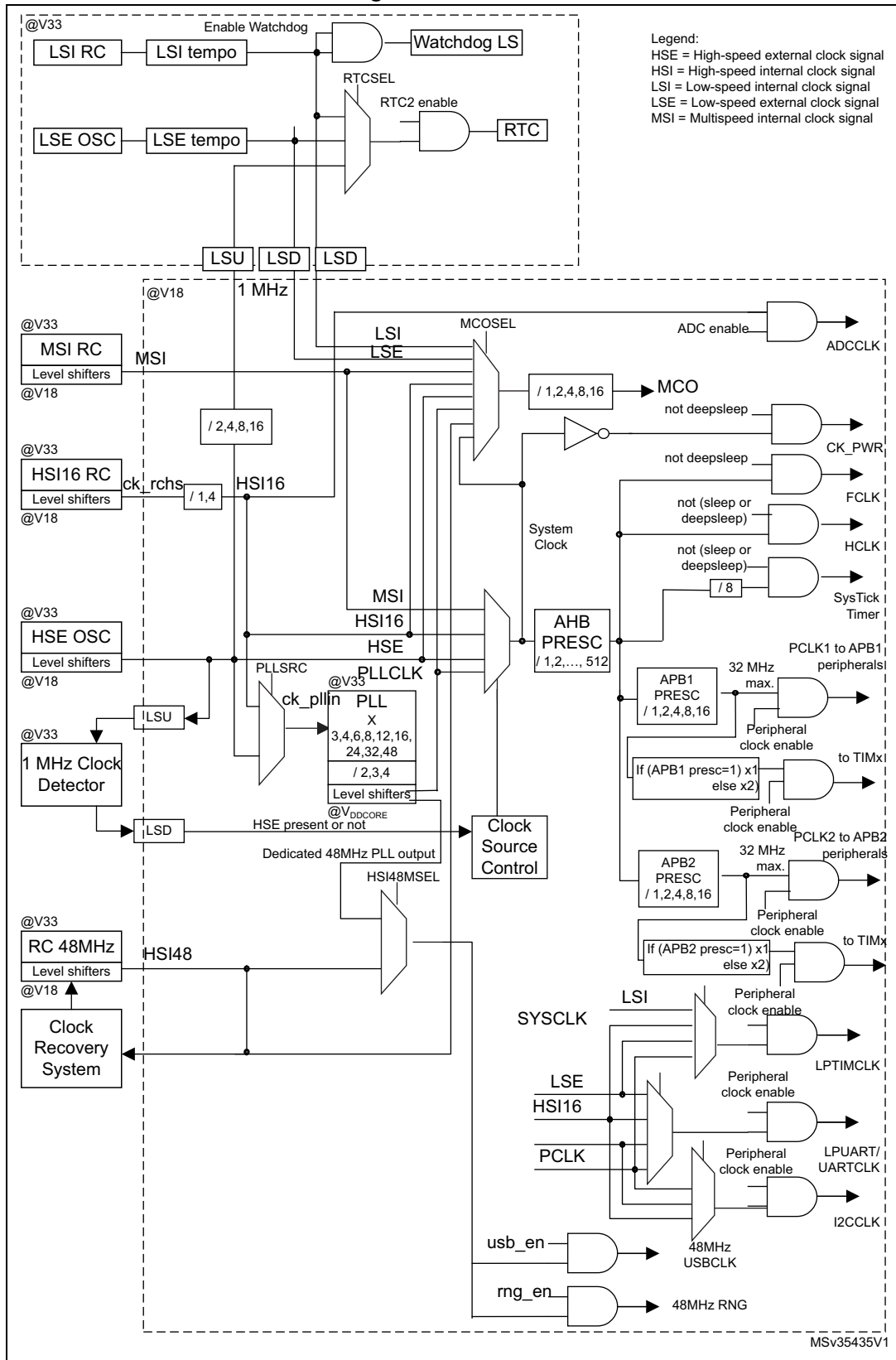
The clock controller distributes the clocks coming from different oscillators to the core and the peripherals. It also manages clock gating for low-power modes and ensures clock robustness. It features:

- **Clock prescaler**
To get the best trade-off between speed and current consumption, the clock frequency to the CPU and peripherals can be adjusted by a programmable prescaler.
- **Safe clock switching**
Clock sources can be changed safely on the fly in Run mode through a configuration register.
- **Clock management**
To reduce power consumption, the clock controller can stop the clock to the core, individual peripherals or memory.
- **System clock source**
Three different clock sources can be used to drive the master clock SYSCLK:
 - 1-25 MHz high-speed external crystal (HSE), that can supply a PLL
 - 16 MHz high-speed internal RC oscillator (HSI), trimmable by software, that can supply a PLLMultispeed internal RC oscillator (MSI), trimmable by software, able to generate 7 frequencies (65 kHz, 131 kHz, 262 kHz, 524 kHz, 1.05 MHz, 2.1 MHz, 4.2 MHz). When a 32.768 kHz clock source is available in the system (LSE), the MSI frequency can be trimmed by software down to a $\pm 0.5\%$ accuracy.
- **Auxiliary clock source**
Two ultra-low-power clock sources that can be used to drive the real-time clock:
 - 32.768 kHz low-speed external crystal (LSE)
 - 37 kHz low-speed internal RC (LSI), also used to drive the independent watchdog. The LSI clock can be measured using the high-speed internal RC oscillator for greater precision.
- **RTC clock source**
The LSI, LSE or HSE sources can be chosen to clock the RTC, whatever the system clock.
- **USB clock source**
A 48 MHz clock trimmed through the USB SOF or LSE supplies the USB interface.

- **Startup clock**
After reset, the microcontroller restarts by default with an internal 2.1 MHz clock (MSI). The prescaler ratio and clock source can be changed by the application program as soon as the code execution starts.
- **Clock security system (CSS)**
This feature can be enabled by software. If an HSE clock failure occurs, the master clock is automatically switched to HSI and a software interrupt is generated if enabled. Another clock security system can be enabled, in case of failure of the LSE it provides an interrupt or wakeup event which is generated if enabled.
- **Clock-out capability (MCO: microcontroller clock output)**
It outputs one of the internal clocks for external use by the application.

Several prescalers allow the configuration of the AHB frequency, each APB (APB1 and APB2) domains. The maximum frequency of the AHB and the APB domains is 32 MHz. See [Figure 2](#) for details on the clock tree.

Figure 2. Clock tree



3.6 Low-power real-time clock and backup registers

The real time clock (RTC) and the 5 backup registers are supplied in all modes including standby mode. The backup registers are five 32-bit registers used to store 20 bytes of user application data. They are not reset by a system reset, or when the device wakes up from Standby mode.

The RTC is an independent BCD timer/counter. Its main features are the following:

- Calendar with subsecond, seconds, minutes, hours (12 or 24 format), week day, date, month, year, in BCD (binary-coded decimal) format
- Automatically correction for 28, 29 (leap year), 30, and 31 day of the month
- Two programmable alarms with wake up from Stop and Standby mode capability
- Periodic wakeup from Stop and Standby with programmable resolution and period
- On-the-fly correction from 1 to 32767 RTC clock pulses. This can be used to synchronize it with a master clock.
- Reference clock detection: a more precise second source clock (50 or 60 Hz) can be used to enhance the calendar precision.
- Digital calibration circuit with 1 ppm resolution, to compensate for quartz crystal inaccuracy
- 2 anti-tamper detection pins with programmable filter. The MCU can be woken up from Stop and Standby modes on tamper event detection.
- Timestamp feature which can be used to save the calendar content. This function can be triggered by an event on the timestamp pin, or by a tamper event. The MCU can be woken up from Stop and Standby modes on timestamp event detection.

The RTC clock sources can be:

- A 32.768 kHz external crystal
- A resonator or oscillator
- The internal low-power RC oscillator (typical frequency of 37 kHz)
- The high-speed external clock

3.7 General-purpose inputs/outputs (GPIOs)

Each of the GPIO pins can be configured by software as output (push-pull or open-drain), as input (with or without pull-up or pull-down) or as peripheral alternate function. Most of the GPIO pins are shared with digital or analog alternate functions, and can be individually remapped using dedicated alternate function registers. All GPIOs are high current capable. Each GPIO output, speed can be slowed (40 MHz, 10 MHz, 2 MHz, 400 kHz). The alternate function configuration of I/Os can be locked if needed following a specific sequence in order to avoid spurious writing to the I/O registers. The I/O controller is connected to a dedicated IO bus with a toggling speed of up to 32 MHz.

Extended interrupt/event controller (EXTI)

The extended interrupt/event controller consists of 29 edge detector lines used to generate interrupt/event requests. Each line can be individually configured to select the trigger event (rising edge, falling edge, both) and can be masked independently. A pending register maintains the status of the interrupt requests. The EXTI can detect an external line with a pulse width shorter than the Internal APB2 clock period. Up to 40 GPIOs can be connected to the 16 configurable interrupt/event lines. The 13 other lines are connected to PVD, RTC, USB, USARTs, I2C, LPUART, LPTIMER or comparator events.

3.8 Memories

The STM32L082xx devices have the following features:

- 20 Kbytes of embedded SRAM accessed (read/write) at CPU clock speed with 0 wait states. With the enhanced bus matrix, operating the RAM does not lead to any performance penalty during accesses to the system bus (AHB and APB buses).
- The non-volatile memory is divided into three arrays:
 - 128 or 192 Kbytes of embedded Flash program memory
 - 6 Kbytes of data EEPROM
 - Information block containing 32 user and factory options bytes plus 8 Kbytes of system memory

Flash program and data EEPROM are divided into two banks. This allows writing in one bank while running code or reading data from the other bank.

The user options bytes are used to write-protect or read-out protect the memory (with 4 Kbyte granularity) and/or readout-protect the whole memory with the following options:

- **Level 0:** no protection
- **Level 1:** memory readout protected.
The Flash memory cannot be read from or written to if either debug features are connected or boot in RAM is selected
- **Level 2:** chip readout protected, debug features (Cortex-M0+ serial wire) and boot in RAM selection disabled (debugline fuse)

The firewall protects parts of code/data from access by the rest of the code that is executed outside of the protected area. The granularity of the protected code segment or the non-volatile data segment is 256 bytes (Flash memory or EEPROM) against 64 bytes for the volatile data segment (RAM).

The whole non-volatile memory embeds the error correction code (ECC) feature.

3.9 Boot modes

At startup, BOOT0 pin and nBOOT1 option bit are used to select one of three boot options:

- Boot from Flash memory
- Boot from System memory
- Boot from embedded RAM

The boot loader is located in System memory. It is used to reprogram the Flash memory by using USB (PA11, PA12), USART1(PA9, PA10) or USART2(PA2, PA3). See STM32 microcontroller system memory boot mode AN2606 for details.

3.10 Direct memory access (DMA)

The flexible 7-channel, general-purpose DMA is able to manage memory-to-memory, peripheral-to-memory and memory-to-peripheral transfers. The DMA controller supports circular buffer management, avoiding the generation of interrupts when the controller reaches the end of the buffer.

Each channel is connected to dedicated hardware DMA requests, with software trigger support for each channel. Configuration is done by software and transfer sizes between source and destination are independent.

The DMA can be used with the main peripherals: AES, SPI, I²C, USART, LPUART, general-purpose timers, DAC, and ADC.

3.11 Analog-to-digital converter (ADC)

A native 12-bit, extended to 16-bit through hardware oversampling, analog-to-digital converter is embedded into STM32L082xx device. It has up to 13 external channels and 3 internal channels (temperature sensor, voltage reference). Three channels, PA0, PA4 and PA5, are fast channels, while the others are standard channels.

The ADC performs conversions in single-shot or scan mode. In scan mode, automatic conversion is performed on a selected group of analog inputs.

The ADC frequency is independent from the CPU frequency, allowing maximum sampling rate of 1.14 MSPS even with a low CPU speed. The ADC consumption is low at all frequencies (~25 μ A at 10 kSPS, ~240 μ A at 1MSPS). An auto-shutdown function guarantees that the ADC is powered off except during the active conversion phase.

The ADC can be served by the DMA controller. It can operate from a supply voltage down to 1.65 V.

The ADC features a hardware oversampler up to 256 samples, this improves the resolution to 16 bits (see AN2668).

An analog watchdog feature allows very precise monitoring of the converted voltage of one, some or all scanned channels. An interrupt is generated when the converted voltage is outside the programmed thresholds.

The events generated by the general-purpose timers (TIMx) can be internally connected to the ADC start triggers, to allow the application to synchronize A/D conversions and timers.

3.12 Temperature sensor

The temperature sensor (T_{SENSE}) generates a voltage V_{SENSE} that varies linearly with temperature.

The temperature sensor is internally connected to the ADC_IN18 input channel which is used to convert the sensor output voltage into a digital value.

The sensor provides good linearity but it has to be calibrated to obtain good overall accuracy of the temperature measurement. As the offset of the temperature sensor varies from chip to chip due to process variation, the uncalibrated internal temperature sensor is suitable for applications that detect temperature changes only.

To improve the accuracy of the temperature sensor measurement, each device is individually factory-calibrated by ST. The temperature sensor factory calibration data are stored by ST in the system memory area, accessible in read-only mode.

Table 6. Temperature sensor calibration values

| Calibration value name | Description | Memory address |
|------------------------|--|---------------------------|
| TSENSE_CAL1 | TS ADC raw data acquired at temperature of 30 °C, $V_{DDA} = 3\text{ V}$ | 0x1FF8 007A - 0x1FF8 007B |
| TSENSE_CAL2 | TS ADC raw data acquired at temperature of 130 °C $V_{DDA} = 3\text{ V}$ | 0x1FF8 007E - 0x1FF8 007F |

3.12.1 Internal voltage reference (V_{REFINT})

The internal voltage reference (V_{REFINT}) provides a stable (bandgap) voltage output for the ADC and Comparators. V_{REFINT} is internally connected to the ADC_IN17 input channel. It enables accurate monitoring of the V_{DD} value (when no external voltage, V_{REF+} , is available for ADC). The precise voltage of V_{REFINT} is individually measured for each part by ST during production test and stored in the system memory area. It is accessible in read-only mode.

Table 7. Internal voltage reference measured values

| Calibration value name | Description | Memory address |
|------------------------|--|---------------------------|
| VREFINT_CAL | Raw data acquired at temperature of 25 °C $V_{DDA} = 3\text{ V}$ | 0x1FF8 0078 - 0x1FF8 0079 |

3.13 Digital-to-analog converter (DAC)

Two 12-bit buffered DACs can be used to convert digital signal into analog voltage signal output. An optional amplifier can be used to reduce the output signal impedance.

This digital Interface supports the following features:

- One data holding register (for each channel)
- Left or right data alignment in 12-bit mode
- Synchronized update capability
- Noise-wave generation
- Triangular-wave generation
- Dual DAC channels with independent or simultaneous conversions
- DMA capability (including the underrun interrupt)
- External triggers for conversion
- Input reference voltage V_{REF+}

Six DAC trigger inputs are used in the STM32L082xx. The DAC channels are triggered through the timer update outputs that are also connected to different DMA channels.

3.14 Ultra-low-power comparators and reference voltage

The STM32L082xx embed two comparators sharing the same current bias and reference voltage. The reference voltage can be internal or external (coming from an I/O).

- One comparator with ultra low consumption
- One comparator with rail-to-rail inputs, fast or slow mode.
- The threshold can be one of the following:
 - DAC output
 - External I/O pins
 - Internal reference voltage (V_{REFINT})
 - submultiple of Internal reference voltage(1/4, 1/2, 3/4) for the rail to rail comparator.

Both comparators can wake up the devices from Stop mode, and be combined into a window comparator.

The internal reference voltage is available externally via a low-power / low-current output buffer (driving current capability of 1 μ A typical).

3.15 Touch sensing controller (TSC)

The STM32L082xx provide a simple solution for adding capacitive sensing functionality to any application. These devices offer up to 19 capacitive sensing channels distributed over 7 analog I/O groups.

Capacitive sensing technology is able to detect the presence of a finger near a sensor which is protected from direct touch by a dielectric (such as glass, plastic). The capacitive variation introduced by the finger (or any conductive object) is measured using a proven implementation based on a surface charge transfer acquisition principle. It consists of charging the sensor capacitance and then transferring a part of the accumulated charges into a sampling capacitor until the voltage across this capacitor has reached a specific threshold. To limit the CPU bandwidth usage, this acquisition is directly managed by the hardware touch sensing controller and only requires few external components to operate.

The touch sensing controller is fully supported by the STMTouch touch sensing firmware library, which is free to use and allows touch sensing functionality to be implemented reliably in the end application.

Table 8. Capacitive sensing GPIOs available on STM32L082xx devices

| Group | Capacitive sensing signal name | Pin name | Group | Capacitive sensing signal name | Pin name |
|-------|--------------------------------|--------------------|-------|--------------------------------|----------|
| 1 | TSC_G1_IO1 | PA0 | 5 | TSC_G5_IO1 | - |
| | TSC_G1_IO2 | PA1 | | TSC_G5_IO2 | PB4 |
| | TSC_G1_IO3 | PA2 | | TSC_G5_IO3 | PB6 |
| | TSC_G1_IO4 | PA3 | | TSC_G5_IO4 | PB7 |
| 2 | TSC_G2_IO1 | PA4 ⁽¹⁾ | 6 | TSC_G6_IO1 | PB11 |
| | TSC_G2_IO2 | PA5 ⁽¹⁾ | | TSC_G6_IO2 | PB12 |
| | TSC_G2_IO3 | PA6 | | TSC_G6_IO3 | PB13 |
| | TSC_G2_IO4 | PA7 | | TSC_G6_IO4 | PB7 |
| 3 | - | - | 7 | TSC_G7_IO1 | PC0 |
| | TSC_G3_IO2 | PB0 | | TSC_G7_IO2 | PC1 |
| | TSC_G3_IO3 | PB1 | | TSC_G7_IO3 | PC2 |
| | TSC_G3_IO4 | PB2 | | - | - |
| 4 | TSC_G4_IO1 | PA9 | | | |
| | TSC_G4_IO2 | PA10 | | | |
| | TSC_G4_IO3 | PA11 | | | |
| | TSC_G4_IO4 | PA12 | | | |

1. PA4 and PA5 offer a reduced touch sensing sensitivity. It is thus recommended to use them as sampling capacitor I/Os.

3.16 AES

The AES Hardware Accelerator can be used to encrypt and decrypt data using the AES algorithm (compatible with FIPS PUB 197, 2001 Nov 26).

- Key scheduler
- Key derivation for decryption
- 128-bit data block processed
- 128-bit key length
- 213 clock cycles to encrypt/decrypt one 128-bit block
- Electronic codebook (ECB), cypher block chaining (CBC), and counter mode (CTR) supported by hardware.

The AES can be served by the DMA controller.

3.17 Timers and watchdogs

The ultra-low-power STM32L082xx devices include three general-purpose timers, one low-power timer (LPTIM), one basic timer, two watchdog timers and the SysTick timer.

[Table 9](#) compares the features of the general-purpose and basic timers.

Table 9. Timer feature comparison

| Timer | Counter resolution | Counter type | Prescaler factor | DMA request generation | Capture/compare channels | Complementary outputs |
|--------------|--------------------|-------------------|---------------------------------|------------------------|--------------------------|-----------------------|
| TIM2, TIM3 | 16-bit | Up, down, up/down | Any integer between 1 and 65536 | Yes | 4 | No |
| TIM21, TIM22 | 16-bit | Up, down, up/down | Any integer between 1 and 65536 | No | 2 | No |
| TIM6, TIM7 | 16-bit | Up | Any integer between 1 and 65536 | Yes | 0 | No |

3.17.1 General-purpose timers (TIM2, TIM3, TIM21 and TIM22)

There are four synchronizable general-purpose timers embedded in the STM32L082xx device (see [Table 9](#) for differences).

TIM2, TIM3

TIM2 and TIM3 are based on 16-bit auto-reload up/down counter. It includes a 16-bit prescaler. It features four independent channels each for input capture/output compare, PWM or one-pulse mode output.

The TIM2/TIM3 general-purpose timers can work together or with the TIM21 and TIM22 general-purpose timers via the Timer Link feature for synchronization or event chaining. Their counter can be frozen in debug mode. Any of the general-purpose timers can be used to generate PWM outputs.

TIM2/TIM3 have independent DMA request generation.

These timers are capable of handling quadrature (incremental) encoder signals and the digital outputs from 1 to 3 hall-effect sensors.

TIM21 and TIM22

TIM21 and TIM22 are based on a 16-bit auto-reload up/down counter. They include a 16-bit prescaler. They have two independent channels for input capture/output compare, PWM or one-pulse mode output. They can work together and be synchronized with the TIM2/TIM3, full-featured general-purpose timers.

They can also be used as simple time bases and be clocked by the LSE clock source (32.768 kHz) to provide time bases independent from the main CPU clock.

3.17.2 Low-power Timer (LPTIM)

The low-power timer has an independent clock and is running also in Stop mode if it is clocked by LSE, LSI or an external clock. It is able to wakeup the devices from Stop mode.

This low-power timer supports the following features:

- 16-bit up counter with 16-bit autoreload register
- 16-bit compare register
- Configurable output: pulse, PWM
- Continuous / one shot mode
- Selectable software / hardware input trigger
- Selectable clock source
 - Internal clock source: LSE, LSI, HSI or APB clock
 - External clock source over LPTIM input (working even with no internal clock source running, used by the Pulse Counter Application)
- Programmable digital glitch filter
- Encoder mode

3.17.3 Basic timer (TIM6, TIM7)

These timers can be used as a generic 16-bit timebase.

3.17.4 SysTick timer

This timer is dedicated to the OS, but could also be used as a standard downcounter. It is based on a 24-bit downcounter with autoreload capability and a programmable clock source. It features a maskable system interrupt generation when the counter reaches '0'.

3.17.5 Independent watchdog (IWDG)

The independent watchdog is based on a 12-bit downcounter and 8-bit prescaler. It is clocked from an independent 37 kHz internal RC and, as it operates independently of the main clock, it can operate in Stop and Standby modes. It can be used either as a watchdog to reset the device when a problem occurs, or as a free-running timer for application timeout management. It is hardware- or software-configurable through the option bytes. The counter can be frozen in debug mode.

3.17.6 Window watchdog (WWDG)

The window watchdog is based on a 7-bit downcounter that can be set as free-running. It can be used as a watchdog to reset the device when a problem occurs. It is clocked from the main clock. It has an early warning interrupt capability and the counter can be frozen in debug mode.

3.18 Communication interfaces

3.18.1 I²C bus

Up to three I²C interfaces (I2C1, I2C2 and I2C3) can operate in multimaster or slave modes.

Each I²C interface can support Standard mode (Sm, up to 100 kbit/s), Fast mode (Fm, up to 400 kbit/s) and Fast Mode Plus (Fm+, up to 1 Mbit/s) with 20 mA output drive on some I/Os.

7-bit and 10-bit addressing modes, multiple 7-bit slave addresses (2 addresses, 1 with configurable mask) are also supported as well as programmable analog and digital noise filters.

Table 10. Comparison of I2C analog and digital filters

| | Analog filter | Digital filter |
|----------------------------------|---|--|
| Pulse width of suppressed spikes | ≥ 50 ns | Programmable length from 1 to 15 I2C peripheral clocks |
| Benefits | Available in Stop mode | 1. Extra filtering capability vs. standard requirements. 2. Stable length |
| Drawbacks | Variations depending on temperature, voltage, process | Wakeup from Stop on address match is not available when digital filter is enabled. |

In addition, I2C1 and I2C3 provide hardware support for SMBus 2.0 and PMBus 1.1: ARP capability, Host notify protocol, hardware CRC (PEC) generation/verification, timeouts verifications and ALERT protocol management. I2C1/I2C3 also have a clock domain independent from the CPU clock, allowing the I2C1/I2C3 to wake up the MCU from Stop mode on address match.

Each I2C interface can be served by the DMA controller.

Refer to [Table 11](#) for an overview of I2C interface features.

Table 11. STM32L082xx I²C implementation

| I2C features ⁽¹⁾ | I2C1 | I2C2 | I2C3 |
|--|------|------------------|------|
| 7-bit addressing mode | X | X | X |
| 10-bit addressing mode | X | X | X |
| Standard mode (up to 100 kbit/s) | X | X | X |
| Fast mode (up to 400 kbit/s) | X | X | X |
| Fast Mode Plus with 20 mA output drive I/Os (up to 1 Mbit/s) | X | X ⁽²⁾ | X |
| Independent clock | X | - | X |
| SMBus | X | - | X |
| Wakeup from STOP | X | - | X |

1. X = supported.

2. See [Table 15: STM32L082xx pin definition on page 39](#) for the list of I/Os that feature Fast Mode Plus capability

3.18.2 Universal synchronous/asynchronous receiver transmitter (USART)

The four USART interfaces (USART1, USART2, USART4 and USART5) are able to communicate at speeds of up to 4 Mbit/s.

They provide hardware management of the CTS, RTS and RS485 driver enable (DE) signals, multiprocessor communication mode, master synchronous communication and single-wire half-duplex communication mode. USART1 and USART2 also support SmartCard communication (ISO 7816), IrDA SIR ENDEC, LIN Master/Slave capability, auto baud rate feature and has a clock domain independent from the CPU clock, allowing to wake up the MCU from Stop mode using baudrates up to 42 Kbaud.

All USART interfaces can be served by the DMA controller.

[Table 12](#) for the supported modes and features of USART interfaces.

Table 12. USART implementation

| USART modes/features ⁽¹⁾ | USART1 and USART2 | USART4 and USART5 |
|---|-------------------|-------------------|
| Hardware flow control for modem | X | X |
| Continuous communication using DMA | X | X |
| Multiprocessor communication | X | X |
| Synchronous mode ⁽²⁾ | X | X |
| Smartcard mode | X | - |
| Single-wire half-duplex communication | X | X |
| IrDA SIR ENDEC block | X | - |
| LIN mode | X | - |
| Dual clock domain and wakeup from Stop mode | X | - |
| Receiver timeout interrupt | X | - |
| Modbus communication | X | - |
| Auto baud rate detection (4 modes) | X | - |
| Driver Enable | X | X |

1. X = supported.
2. This mode allows using the USART as an SPI master.

3.18.3 Low-power universal asynchronous receiver transmitter (LPUART)

The devices embed one Low-power UART. The LPUART supports asynchronous serial communication with minimum power consumption. It supports half duplex single wire communication and modem operations (CTS/RTS). It allows multiprocessor communication.

The LPUART has a clock domain independent from the CPU clock. It can wake up the system from Stop mode using baudrates up to 46 Kbaud. The Wakeup events from Stop mode are programmable and can be:

- Start bit detection
- Or any received data frame
- Or a specific programmed data frame

Only a 32.768 kHz clock (LSE) is needed to allow LPUART communication up to 9600 baud. Therefore, even in Stop mode, the LPUART can wait for an incoming frame while having an extremely low energy consumption. Higher speed clock can be used to reach higher baudrates.

LPUART interface can be served by the DMA controller.

3.18.4 Serial peripheral interface (SPI)/Inter-integrated sound (I2S)

Up to two SPIs are able to communicate at up to 16 Mbits/s in slave and master modes in full-duplex and half-duplex communication modes. The 3-bit prescaler gives 8 master mode frequencies and the frame is configurable to 8 bits or 16 bits. The hardware CRC generation/verification supports basic SD Card/MMC modes.

The USARTs with synchronous capability can also be used as SPI master.

One standard I2S interfaces (multiplexed with SPI2) is available. It can operate in master or slave mode, and can be configured to operate with a 16-/32-bit resolution as input or output channels. Audio sampling frequencies from 8 kHz up to 192 kHz are supported. When the I2S interfaces is configured in master mode, the master clock can be output to the external DAC/CODEC at 256 times the sampling frequency.

The SPIs can be served by the DMA controller.

Table 13. SPI/I2S implementation

| SPI features ⁽¹⁾ | SPI1 | SPI2 |
|-----------------------------|------|------|
| Hardware CRC calculation | X | X |
| I2S mode | - | X |
| TI mode | X | X |

1. X = supported.

3.18.5 Universal serial bus (USB)

The STM32L082xx embed a full-speed USB device peripheral compliant with the USB specification version 2.0. The internal USB PHY supports USB FS signaling, embedded DP pull-up and also battery charging detection according to Battery Charging Specification Revision 1.2. The USB interface implements a full-speed (12 Mbit/s) function interface with added support for USB 2.0 Link Power Management. It has software-configurable endpoint setting with packet memory up to 1 Kbyte and suspend/resume support. It requires a precise 48 MHz clock which can be generated from the internal main PLL (the clock source must use a HSE crystal oscillator) or by the internal 48 MHz oscillator in automatic trimming mode. The synchronization for this oscillator can be taken from the USB data stream itself (SOF signalization) which allows crystal-less operation.

3.19 Clock recovery system (CRS)

The STM32L082xx embed a special block which allows automatic trimming of the internal 48 MHz oscillator to guarantee its optimal accuracy over the whole device operational range. This automatic trimming is based on the external synchronization signal, which could be either derived from USB SOF signalization, from LSE oscillator, from an external signal on CRS_SYNC pin or generated by user software. For faster lock-in during startup it is also possible to combine automatic trimming with manual trimming action.

3.20 Cyclic redundancy check (CRC) calculation unit

The CRC (cyclic redundancy check) calculation unit is used to get a CRC code using a configurable generator polynomial value and size.

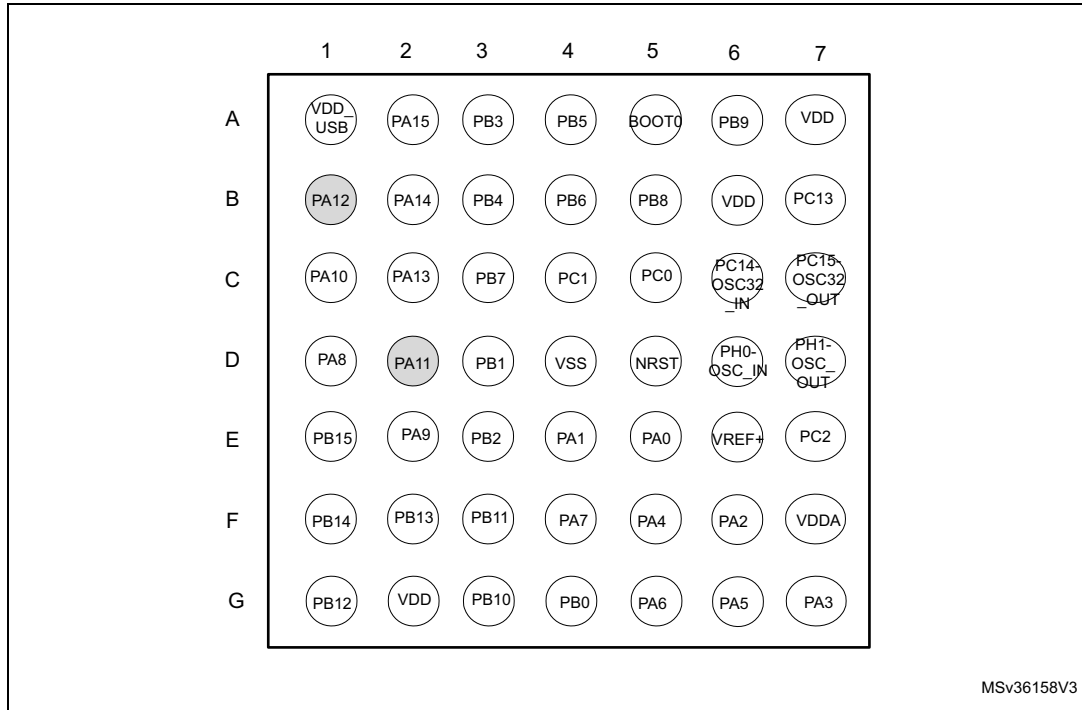
Among other applications, CRC-based techniques are used to verify data transmission or storage integrity. In the scope of the EN/IEC 60335-1 standard, they offer a means of verifying the Flash memory integrity. The CRC calculation unit helps compute a signature of the software during runtime, to be compared with a reference signature generated at linktime and stored at a given memory location.

3.21 Serial wire debug port (SW-DP)

An Arm SW-DP interface is provided to allow a serial wire debugging tool to be connected to the MCU.

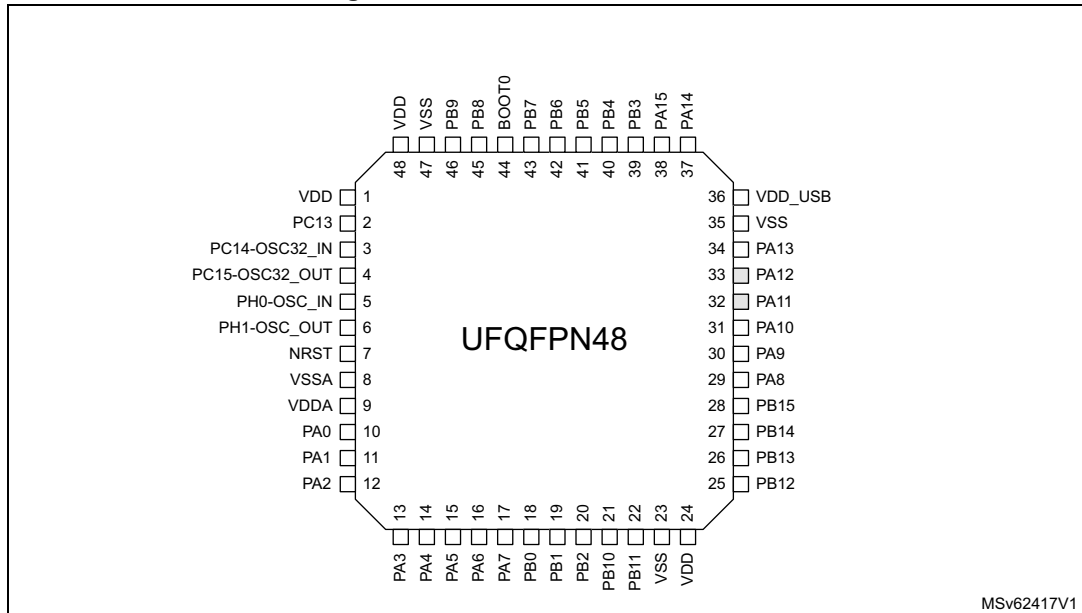
4 Pin descriptions

Figure 3. STM32L082xx WLCSP49 ballout



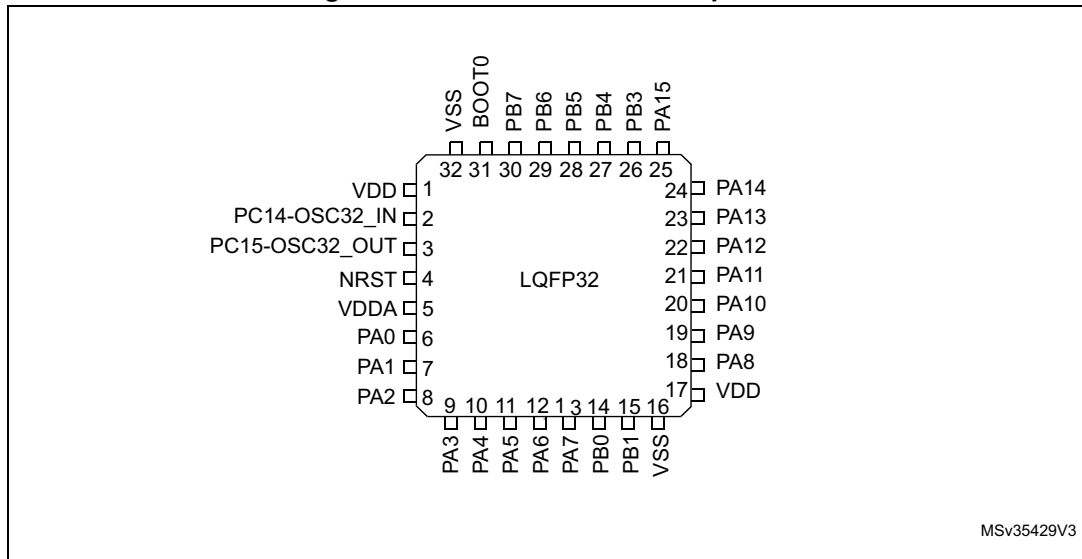
1. The above figure shows the package top view.
2. The I/O pins supplied by VDD_USB are shown in grey.

Figure 4. STM32L082xx UFQFPN48



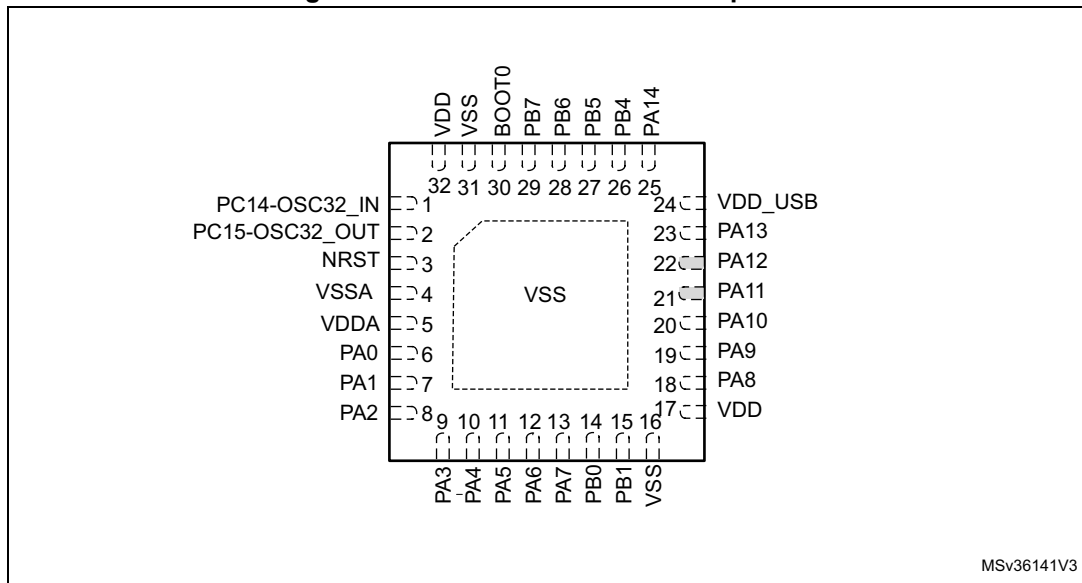
1. The above figure shows the package top view.
2. The I/O pins supplied by VDD_USB are shown in grey.

Figure 5. STM32L082xx LQFP32 pinout



1. The above figure shows the package top view.

Figure 6. STM32L082xx UFQFPN32 pinout



1. The above figure shows the package top view.
2. the I/O pins supplied by VDD_USB are shown in grey.

Table 14. Legend/abbreviations used in the pinout table

| Name | | Abbreviation | Definition |
|---------------|----------------------|---|---|
| Pin name | | Unless otherwise specified in brackets below the pin name, the pin function during and after reset is the same as the actual pin name | |
| Pin type | | S | Supply pin |
| | | I | Input only pin |
| | | I/O | Input / output pin |
| I/O structure | | FT | 5 V tolerant I/O |
| | | FTf | 5 V tolerant I/O, FM+ capable |
| | | TC | Standard 3.3V I/O |
| | | B | Dedicated BOOT0 pin |
| | | RST | Bidirectional reset pin with embedded weak pull-up resistor |
| Notes | | Unless otherwise specified by a note, all I/Os are set as floating inputs during and after reset. | |
| Pin functions | Alternate functions | Functions selected through GPIOx_AFR registers | |
| | Additional functions | Functions directly selected/enabled through peripheral registers | |

Table 15. STM32L082xx pin definition

| Pin number | | | | Pin name (function after reset) | Pin type | I/O structure | Note | Alternate functions | Additional functions |
|------------|-------------------------|----------|---------|------------------------------------|----------|---------------|------|---------------------|------------------------------------|
| LQFP32 | UFQFPN32 ⁽¹⁾ | UFQFPN48 | WLCSP49 | | | | | | |
| 1 | - | 1 | B6 | VDD | S | | - | - | - |
| - | - | 2 | B7 | PC13 | I/O | FT | - | - | RTC_TAMP1/RTC_TS/ RTC_OUT/WKUP2 |
| 2 | 1 | 3 | C6 | PC14- OSC32_IN (PC14) | I/O | FT | - | - | OSC32_IN |
| 3 | 2 | 4 | C7 | PC15- OSC32_OUT (PC15) | I/O | TC | - | - | OSC32_OUT |
| - | - | 5 | D6 | PH0-OSC_IN (PH0) | I/O | TC | - | USB_CR_S_SYNC | OSC_IN |

Table 15. STM32L082xx pin definition (continued)

| Pin number | | | | Pin name (function after reset) | Pin type | I/O structure | Note | Alternate functions | Additional functions |
|------------|-------------------------|----------|---------|---------------------------------------|----------|---------------|------|--|---|
| LQFP32 | UFQFPN32 ⁽¹⁾ | UFQFPN48 | WLCSP49 | | | | | | |
| - | - | 6 | D7 | PH1- OSC_OUT (PH1) | I/O | TC | - | - | OSC_OUT |
| 4 | 3 | 7 | D5 | NRST | I/O | | - | - | - |
| - | - | - | C5 | PC0 | I/O | FTf | - | LPTIM1_IN1, EVENTOUT, TSC_G7_IO1, LPUART1_RX, I2C3_SCL | ADC_IN10 |
| - | - | - | C4 | PC1 | I/O | FTf | - | LPTIM1_OUT, EVENTOUT, TSC_G7_IO2, LPUART1_TX, I2C3_SDA | ADC_IN11 |
| - | - | - | E7 | PC2 | I/O | FTf | - | LPTIM1_IN2, SPI2_MISO/I2S2_MCK, TSC_G7_IO3 | ADC_IN12 |
| - | 4 | 8 | - | VSSA | S | | - | - | - |
| - | - | - | E6 | VREF+ | S | | - | - | - |
| 5 | 5 | 9 | F7 | VDDA | S | | - | - | - |
| 6 | 6 | 10 | E5 | PA0 | I/O | TTa | - | TIM2_CH1, TSC_G1_IO1, USART2_CTS, TIM2_ETR, USART4_TX, COMP1_OUT | COMP1_INM, ADC_IN0, RTC_TAMP2/WKUP1 |
| 7 | 7 | 11 | E4 | PA1 | I/O | FT | - | EVENTOUT, TIM2_CH2, TSC_G1_IO2, USART2_RTS/ USART2_DE, TIM21_ETR, USART4_RX | COMP1_INP, ADC_IN1 |
| 8 | 8 | 12 | F6 | PA2 | I/O | FT | - | TIM21_CH1, TIM2_CH3, TSC_G1_IO3, USART2_TX, LPUART1_TX, COMP2_OUT | COMP2_INM, ADC_IN2 |

Table 15. STM32L082xx pin definition (continued)

| Pin number | | | | Pin name (function after reset) | Pin type | I/O structure | Note | Alternate functions | Additional functions |
|------------|-------------------------|----------|---------|---------------------------------------|----------|---------------|------|--|---|
| LQFP32 | UFQFPN32 ⁽¹⁾ | UFQFPN48 | WLCSP49 | | | | | | |
| 9 | 9 | 13 | G7 | PA3 | I/O | FT | - | TIM21_CH2, TIM2_CH4, TSC_G1_IO4, USART2_RX, LPUART1_RX | COMP2_INP, ADC_IN3 |
| 10 | 10 | 14 | F5 | PA4 | I/O | TC | (2) | SPI1_NSS, TSC_G2_IO1, USART2_CK, TIM22_ETR | COMP1_INM, COMP2_INM, ADC_IN4, DAC_OUT1 |
| 11 | 11 | 15 | G6 | PA5 | I/O | TC | (2) | SPI1_SCK, TIM2_ETR, TSC_G2_IO2, TIM2_CH1 | COMP1_INM, COMP2_INM, ADC_IN5, DAC_OUT2 |
| 12 | 12 | 16 | G5 | PA6 | I/O | FT | - | SPI1_MISO, TIM3_CH1, TSC_G2_IO3, LPUART1_CTS, TIM22_CH1, EVENTOUT, COMP1_OUT | ADC_IN6 |
| 13 | 13 | 17 | F4 | PA7 | I/O | FT | - | SPI1_MOSI, TIM3_CH2, TSC_G2_IO4, TIM22_CH2, EVENTOUT, COMP2_OUT | ADC_IN7 |
| 14 | 14 | 18 | G4 | PB0 | I/O | FT | - | EVENTOUT, TIM3_CH3, TSC_G3_IO2 | ADC_IN8, VREF_OUT |
| 15 | 15 | 19 | D3 | PB1 | I/O | FT | - | TIM3_CH4, TSC_G3_IO3, LPUART1_RTS/ LPUART1_DE | ADC_IN9, VREF_OUT |
| - | - | 20 | E3 | PB2 | I/O | FT | - | LPTIM1_OUT, TSC_G3_IO4, I2C3_SMBA | - |
| - | - | 21 | G3 | PB10 | I/O | FT | - | TIM2_CH3, TSC_SYNC, LPUART1_TX, SPI2_SCK, I2C2_SCL, LPUART1_RX | - |
| - | - | 22 | F3 | PB11 | I/O | FT | - | EVENTOUT, TIM2_CH4, TSC_G6_IO1, LPUART1_RX, I2C2_SDA, LPUART1_TX | - |

Table 15. STM32L082xx pin definition (continued)

| Pin number | | | | Pin name (function after reset) | Pin type | I/O structure | Note | Alternate functions | Additional functions |
|------------|-------------------------|----------|---------|---------------------------------------|----------|---------------|------|---|----------------------|
| LQFP32 | UFQFPN32 ⁽¹⁾ | UFQFPN48 | WLCSP49 | | | | | | |
| 16 | 16 | 23 | D4 | VSS | S | | - | - | - |
| 17 | 17 | 24 | G2 | VDD | S | | - | - | - |
| - | - | 25 | G1 | PB12 | I/O | FT | - | SPI2_NSS/I2S2_WS, LPUART1_RTS/ LPUART1_DE, TSC_G6_IO2, I2C2_SMBA, EVENTOUT | - |
| - | - | 26 | F2 | PB13 | I/O | FTf | - | SPI2_SCK/I2S2_CK, MCO, TSC_G6_IO3, LPUART1_CTS, I2C2_SCL, TIM21_CH1 | - |
| - | - | 27 | F1 | PB14 | I/O | FTf | - | SPI2_MISO/I2S2_MCK, RTC_OUT, TSC_G6_IO4, LPUART1_RTS/ LPUART1_DE, I2C2_SDA, TIM21_CH2 | - |
| - | - | 28 | E1 | PB15 | I/O | FT | - | SPI2_MOSI/I2S2_SD, RTC_REFIN | - |
| 18 | 18 | 29 | D1 | PA8 | I/O | FTf | - | MCO, USB_CRD_SYNC, EVENTOUT, USART1_CK, I2C3_SCL | - |
| 19 | 19 | 30 | E2 | PA9 | I/O | FTf | - | MCO, TSC_G4_IO1, USART1_TX, I2C1_SCL, I2C3_SMBA | - |
| 20 | 20 | 31 | C1 | PA10 | I/O | FTf | - | TSC_G4_IO2, USART1_RX, I2C1_SDA | - |
| 21 | 21 | 32 | D2 | PA11 | I/O | FT | (3) | SPI1_MISO, EVENTOUT, TSC_G4_IO3, USART1_CTS, COMP1_OUT | USB_DM |
| 22 | 22 | 33 | B1 | PA12 | I/O | FT | (3) | SPI1_MOSI, EVENTOUT, TSC_G4_IO4, USART1_RTS/ USART1_DE, COMP2_OUT | USB_DP |
| 23 | 23 | 34 | C2 | PA13 | I/O | FT | - | SWDIO, USB_NOE, LPUART1_RX | - |

Table 15. STM32L082xx pin definition (continued)

| Pin number | | | | Pin name (function after reset) | Pin type | I/O structure | Note | Alternate functions | Additional functions |
|------------|-------------------------|----------|---------|---------------------------------------|----------|---------------|------|--|---------------------------|
| LQFP32 | UFQFPN32 ⁽¹⁾ | UFQFPN48 | WLCSP49 | | | | | | |
| - | - | 35 | - | VSS | S | - | - | - | - |
| - | 24 | 36 | A1 | VDD_USB | S | - | - | - | - |
| 24 | 25 | 37 | B2 | PA14 | I/O | FT | - | SWCLK, USART2_TX, LPUART1_TX | - |
| 25 | - | 38 | A2 | PA15 | I/O | FT | - | SPI1_NSS, TIM2_ETR, EVENTOUT, USART2_RX, TIM2_CH1, USART4_RTS/ USART4_DE | - |
| 26 | - | 39 | A3 | PB3 | I/O | FT | - | SPI1_SCK, TIM2_CH2, TSC_G5_IO1, EVENTOUT, USART1_RTS/ USART1_DE, USART5_TX | COMP2_INM |
| 27 | 26 | 40 | B3 | PB4 | I/O | FTf | - | SPI1_MISO, TIM3_CH1, TSC_G5_IO2, TIM22_CH1, USART1_CTS, USART5_RX, I2C3_SDA | COMP2_INP |
| 28 | 27 | 41 | A4 | PB5 | I/O | FT | - | SPI1_MOSI, LPTIM1_IN1, I2C1_SMBA, TIM3_CH2/TIM22_CH2, USART1_CK, USART5_CK, USART5_RTS/ USART5_DE | COMP2_INP |
| 29 | 28 | 42 | B4 | PB6 | I/O | FTf | - | USART1_TX, I2C1_SCL, LPTIM1_ETR, TSC_G5_IO3 | COMP2_INP |
| 30 | 29 | 43 | C3 | PB7 | I/O | FTf | - | USART1_RX, I2C1_SDA, LPTIM1_IN2, TSC_G5_IO4, USART4_CTS | COMP2_INP, VREF_PVD_IN |
| 31 | 30 | 44 | A5 | BOOT0 | I | | - | - | - |
| - | - | 45 | B5 | PB8 | I/O | FTf | - | TSC_SYNC, I2C1_SCL | - |

Table 15. STM32L082xx pin definition (continued)

| Pin number | | | | Pin name (function after reset) | Pin type | I/O structure | Note | Alternate functions | Additional functions |
|------------|-------------------------|----------|---------|---------------------------------------|----------|---------------|------|---|----------------------|
| LQFP32 | UFQFPN32 ⁽¹⁾ | UFQFPN48 | WLCSP49 | | | | | | |
| - | - | 46 | A6 | PB9 | I/O | FTf | - | EVENTOUT, I2C1_SDA, SPI2_NSS/I2S2_WS | - |
| 32 | 31 | 47 | - | VSS | S | - | - | - | - |
| - | 32 | 48 | A7 | VDD | S | - | - | - | - |

1. UFQFPN32 pinout differs from other STM32 devices except STM32L07xxx and STM32L8xxx.
2. PA4 and PA5 offer a reduced touch sensing sensitivity. It is thus recommended to use them as sampling capacitor I/Os.
3. These pins are powered by VDD_USB. For all characteristics that refer to V_{DD}, V_{DD_USB} must be used instead.

Table 16. Alternate functions port A

| Port | AF0 | AF1 | AF2 | AF3 | AF4 | AF5 | AF6 | AF7 | |
|--------|---|---------------------------------|---|-----------------------|--|--|---|-----------------------------------|-----------|
| | SPI1/SPI2/I2S2/ USART1/2/ LPUART1/USB/ LPTIM1/TSC/ TIM2/21/22/ EVENTOUT/ SYS_AF | SPI1/SPI2/I2S2/ I2C1/TIM2/21 | SPI1/SPI2/I2S2/ LPUART1/ USART5/USB/L PTIM1/TIM2/3/E VENTOUT/ SYS_AF | I2C1/TSC/ EVENTOUT | I2C1/USART1/2 /LPUART1/ TIM3/22/ EVENTOUT | SPI2/I2S2/I2C2/ USART1/ TIM2/21/22 | I2C1/2/ LPUART1/ USART4/ UASRT5/TIM21 / EVENTOUT | I2C3/LPUART1/ COMP1/2/ TIM3 | |
| Port A | PA0 | - | - | TIM2_CH1 | TSC_G1_IO1 | USART2_CTS | TIM2_ETR | USART4_TX | COMP1_OUT |
| | PA1 | EVENTOUT | | TIM2_CH2 | TSC_G1_IO2 | USART2_RTS/ USART2_DE | TIM21_ETR | USART4_RX | - |
| | PA2 | TIM21_CH1 | | TIM2_CH3 | TSC_G1_IO3 | USART2_TX | - | LPUART1_TX | COMP2_OUT |
| | PA3 | TIM21_CH2 | | TIM2_CH4 | TSC_G1_IO4 | USART2_RX | - | LPUART1_RX | - |
| | PA4 | SPI1_NSS | - | - | TSC_G2_IO1 | USART2_CK | TIM22_ETR | - | - |
| | PA5 | SPI1_SCK | - | TIM2_ETR | TSC_G2_IO2 | | TIM2_CH1 | - | - |
| | PA6 | SPI1_MISO | | TIM3_CH1 | TSC_G2_IO3 | LPUART1_CTS | TIM22_CH1 | EVENTOUT | COMP1_OUT |
| | PA7 | SPI1_MOSI | | TIM3_CH2 | TSC_G2_IO4 | - | TIM22_CH2 | EVENTOUT | COMP2_OUT |
| | PA8 | MCO | | USB_CRG_SYNC | EVENTOUT | USART1_CK | - | - | I2C3_SCL |
| | PA9 | MCO | | - | TSC_G4_IO1 | USART1_TX | - | I2C1_SCL | I2C3_SMBA |
| | PA10 | - | | - | TSC_G4_IO2 | USART1_RX | - | I2C1_SDA | - |
| | PA11 | SPI1_MISO | - | EVENTOUT | TSC_G4_IO3 | USART1_CTS | - | - | COMP1_OUT |
| | PA12 | SPI1_MOSI | - | EVENTOUT | TSC_G4_IO4 | USART1_RTS/ USART1_DE | - | - | COMP2_OUT |
| | PA13 | SWDIO | - | USB_NOE | - | - | - | LPUART1_RX | - |
| | PA14 | SWCLK | - | - | - | USART2_TX | - | LPUART1_TX | - |
| | PA15 | SPI1_NSS | | TIM2_ETR | EVENTOUT | USART2_RX | TIM2_CH1 | USART4_RTS/ USART4_DE | - |



Table 17. Alternate functions port B

| Port | AF0 | AF1 | AF2 | AF3 | AF4 | AF5 | AF6 | AF7 |
|--------|---|---------------------------------|---|----------------------------|--|--|---|--|
| | SPI1/SPI2/I2S2/ USART1/2/ LPUART1/USB/ LPTIM1/TSC/ TIM2/21/22/ EVENTOUT/ SYS_AF | SPI1/SPI2/I2S2/I 2C1/TIM2/21 | SPI1/SPI2/I2S2/ LPUART1/ USART5/USB/L PTIM1/TIM2/3/E VENTOUT/ SYS_AF | I2C1/TSC/ EVENTOUT | I2C1/USART1/2/ LPUART1/ TIM3/22/ EVENTOUT | SPI2/I2S2/I2C2/ USART1/ TIM2/21/22 | I2C1/2/ LPUART1/ USART4/ UASRT5/TIM21/ EVENTOUT | I2C3/LPUART1/ COMP1/2/ TIM3 |
| Port B | PB0 | EVENTOUT | | TIM3_CH3 | TSC_G3_IO2 | - | - | - |
| | PB1 | - | | TIM3_CH4 | TSC_G3_IO3 | LPUART1_RTS/ LPUART1_DE | - | - |
| | PB2 | - | - | LPTIM1_OUT | TSC_G3_IO4 | - | - | I2C3_SMBA |
| | PB3 | SPI1_SCK | | TIM2_CH2 | TSC_G5_IO1 | EVENTOUT | USART1_RTS/ USART1_DE | USART5_TX |
| | PB4 | SPI1_MISO | | TIM3_CH1 | TSC_G5_IO2 | TIM22_CH1 | USART1_CTS | USART5_RX |
| | PB5 | SPI1_MOSI | | LPTIM1_IN1 | I2C1_SMBA | TIM3_CH2/ TIM22_CH2 | USART1_CK | USART5_CK, USART5_RTS/ USART5_DE |
| | PB6 | USART1_TX | I2C1_SCL | LPTIM1_ETR | TSC_G5_IO3 | - | - | - |
| | PB7 | USART1_RX | I2C1_SDA | LPTIM1_IN2 | TSC_G5_IO4 | - | - | USART4_CTS |
| | PB8 | - | | - | TSC_SYNC | I2C1_SCL | - | - |
| | PB9 | - | | EVENTOUT | - | I2C1_SDA | SPI2_NSS/ I2S2_WS | - |
| | PB10 | - | | TIM2_CH3 | TSC_SYNC | LPUART1_TX | SPI2_SCK | I2C2_SCL |
| | PB11 | EVENTOUT | | TIM2_CH4 | TSC_G6_IO1 | LPUART1_RX | - | I2C2_SDA |
| | PB12 | SPI2_NSS/I2S2_WS | | LPUART1_RTS/ LPUART1_DE | TSC_G6_IO2 | | I2C2_SMBA | EVENTOUT |
| | PB13 | SPI2_SCK/I2S2_CK | | MCO | TSC_G6_IO3 | LPUART1_CTS | I2C2_SCL | TIM21_CH1 |
| | PB14 | SPI2_MISO/ I2S2_MCK | | RTC_OUT | TSC_G6_IO4 | LPUART1_RTS/ LPUART1_DE | I2C2_SDA | TIM21_CH2 |
| PB15 | SPI2_MOSI/ I2S2_SD | | RTC_REFIN | - | - | - | - | |

Table 18. Alternate functions port C

| Port | | AF0 | AF1 | AF2 | AF3 | AF4 | AF5 | AF6 | AF7 |
|--------|------|---|---------------------------------|---|-----------------------|--|--|---|-----------------------------------|
| Port | | SPI1/SPI2/I2S2/ USART1/2/ LPUART1/USB/ LPTIM1/TSC/ TIM2/21/22/ EVENTOUT/ SYS_AF | SPI1/SPI2/I2S2/I2C1/ TIM2/21 | SPI1/SPI2/I2S2/ LPUART1/ USART5/USB/ LPTIM1/TIM2/3 /EVENTOUT/SYS_AF | I2C1/TSC/ EVENTOUT | I2C1/USART1/2/ LPUART1/ TIM3/22/ EVENTOUT | SPI2/I2S2 /I2C2/ USART1/ TIM2/21/22 | I2C1/2/ LPUART1/ USART4/ UASRT5/TIM21/E VENTOUT | I2C3/LPUART1/ COMP1/2/ TIM3 |
| Port C | PC0 | LPTIM1_IN1 | | EVENTOUT | TSC_G7_IO1 | | | LPUART1_RX | I2C3_SCL |
| | PC1 | LPTIM1_OUT | | EVENTOUT | TSC_G7_IO2 | | | LPUART1_TX | I2C3_SDA |
| | PC2 | LPTIM1_IN2 | | SPI2_MISO/ I2S2_MCK | TSC_G7_IO3 | | | | |
| | PC13 | - | - | - | - | - | - | - | - |
| | PC14 | - | - | - | - | - | - | - | - |
| | PC15 | - | - | - | - | - | - | - | - |

Table 19. Alternate functions port H

| Port | | AF0 | AF1 | AF2 | AF3 | AF4 | AF5 | AF6 | AF7 |
|--------|-----|---|---------------------------------|---|-----------------------|--|--|---|---------------------------------------|
| Port | | SPI1/SPI2/ I2S2/USART1/2/ LPUART1/USB/ LPTIM1/TSC/ TIM2/21/22/ EVENTOUT/ SYS_AF | SPI1/SPI2/I2S2 /I2C1/TIM2/21 | SPI1/SPI2/I2S2/ LPUART1/ USART5/USB/ LPTIM1/TIM2/3/ EVENTOUT/ SYS_AF | I2C1/TSC/ EVENTOUT | I2C1/USART1/2/ LPUART1/ TIM3/22/ EVENTOUT | SPI2/I2S2/I2C2/ USART1/ TIM2/21/22 | I2C1/2/ LPUART1/ USART4/ UASRT5/TIM21/ EVENTOUT | I2C3/ LPUART1/ COMP1/2/ TIM3 |
| Port H | PH0 | USB_CR_S_SYNC | - | - | - | - | - | - | - |
| | PH1 | - | - | - | - | - | - | - | - |

5 Memory mapping

Refer to the product line reference manual for details on the memory mapping as well as the boundary addresses for all peripherals.

6 Electrical characteristics

6.1 Parameter conditions

Unless otherwise specified, all voltages are referenced to V_{SS} .

6.1.1 Minimum and maximum values

Unless otherwise specified the minimum and maximum values are guaranteed in the worst conditions of ambient temperature, supply voltage and frequencies by tests in production on 100% of the devices with an ambient temperature at $T_A = 25\text{ °C}$ and $T_A = T_{Amax}$ (given by the selected temperature range).

Data based on characterization results, design simulation and/or technology characteristics are indicated in the table footnotes and are not tested in production. Based on characterization, the minimum and maximum values refer to sample tests and represent the mean value plus or minus three times the standard deviation ($\text{mean} \pm 3\sigma$).

6.1.2 Typical values

Unless otherwise specified, typical data are based on $T_A = 25\text{ °C}$, $V_{DD} = 3.6\text{ V}$ (for the $1.65\text{ V} \leq V_{DD} \leq 3.6\text{ V}$ voltage range). They are given only as design guidelines and are not tested.

Typical ADC accuracy values are determined by characterization of a batch of samples from a standard diffusion lot over the full temperature range, where 95% of the devices have an error less than or equal to the value indicated ($\text{mean} \pm 2\sigma$).

6.1.3 Typical curves

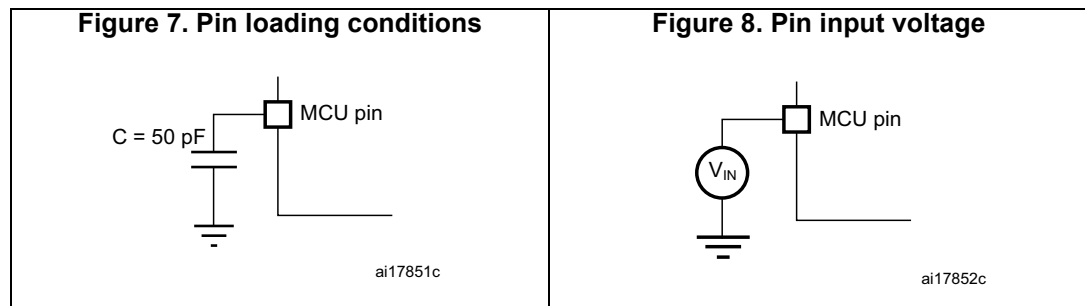
Unless otherwise specified, all typical curves are given only as design guidelines and are not tested.

6.1.4 Loading capacitor

The loading conditions used for pin parameter measurement are shown in [Figure 7](#).

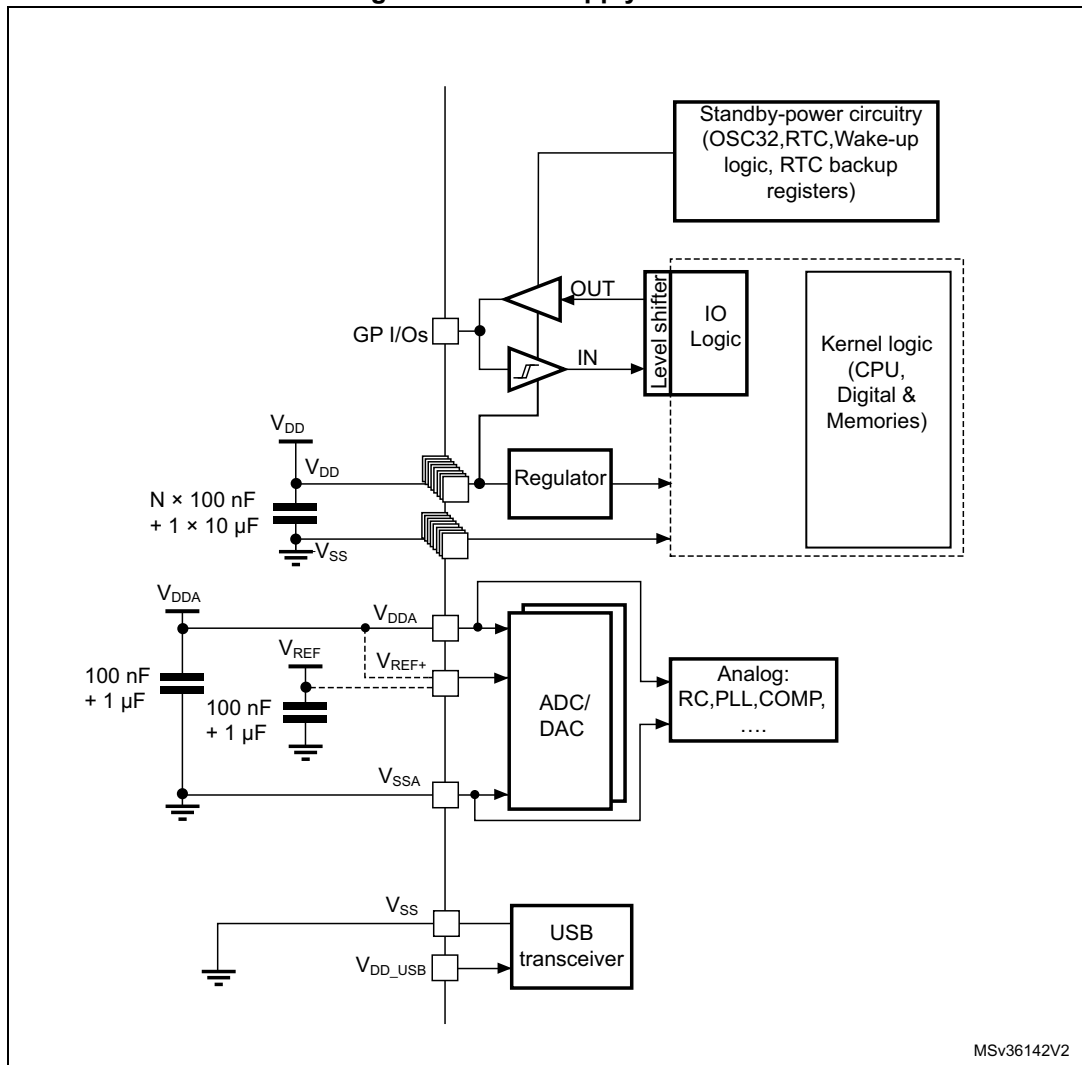
6.1.5 Pin input voltage

The input voltage measurement on a pin of the device is described in [Figure 8](#).



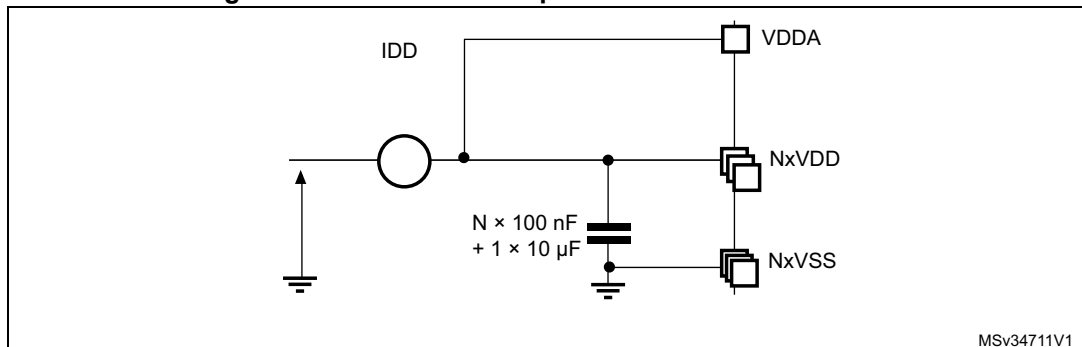
6.1.6 Power supply scheme

Figure 9. Power supply scheme



6.1.7 Current consumption measurement

Figure 10. Current consumption measurement scheme



6.2 Absolute maximum ratings

Stresses above the absolute maximum ratings listed in [Table 20: Voltage characteristics](#), [Table 21: Current characteristics](#), and [Table 22: Thermal characteristics](#) may cause permanent damage to the device. These are stress ratings only and functional operation of the device at these conditions is not implied. Exposure to maximum rating conditions for extended periods may affect device reliability. Device mission profile (application conditions) is compliant with JEDEC JESD47 Qualification Standard. Extended mission profiles are available on demand.

Table 20. Voltage characteristics

| Symbol | Definition | Min | Max | Unit |
|---------------------|---|------------------------------------|--------------|------|
| $V_{DD}-V_{SS}$ | External main supply voltage (including V_{DDA} , V_{DD_USB} , V_{DD}) ⁽¹⁾ | -0.3 | 4.0 | V |
| $V_{IN}^{(2)}$ | Input voltage on FT and FTf pins | $V_{SS}-0.3$ | $V_{DD}+4.0$ | |
| | Input voltage on TC pins | $V_{SS}-0.3$ | 4.0 | |
| | Input voltage on BOOT0 | V_{SS} | $V_{DD}+4.0$ | |
| | Input voltage on any other pin | $V_{SS}-0.3$ | 4.0 | |
| $ \Delta V_{DD} $ | Variations between different V_{DDx} power pins | - | 50 | mV |
| $ V_{DDA}-V_{DDx} $ | Variations between any V_{DDx} and V_{DDA} power pins ⁽³⁾ | - | 300 | |
| $ \Delta V_{SS} $ | Variations between all different ground pins | - | 50 | |
| $V_{REF+}-V_{DDA}$ | Allowed voltage difference for $V_{REF+} > V_{DDA}$ | - | 0.4 | V |
| $V_{ESD(HBM)}$ | Electrostatic discharge voltage (human body model) | see Section 6.3.11 | | |

1. All main power (V_{DD} , V_{DD_USB} , V_{DDA}) and ground (V_{SS} , V_{SSA}) pins must always be connected to the external power supply, in the permitted range.
2. V_{IN} maximum must always be respected. Refer to [Table 21](#) for maximum allowed injected current values.
3. It is recommended to power V_{DD} and V_{DDA} from the same source. A maximum difference of 300 mV between V_{DD} and V_{DDA} can be tolerated during power-up and device operation. V_{DD_USB} is independent from V_{DD} and V_{DDA} : its value does not need to respect this rule.

Table 21. Current characteristics

| Symbol | Ratings | Max. | Unit |
|------------------------|--|------------------------|------|
| $\Sigma I_{VDD}^{(2)}$ | Total current into sum of all V_{DD} power lines (source) ⁽¹⁾ | 105 | mA |
| $\Sigma I_{VSS}^{(2)}$ | Total current out of sum of all V_{SS} ground lines (sink) ⁽¹⁾ | 105 | |
| ΣI_{VDD_USB} | Total current into V_{DD_USB} power lines (source) | 25 | |
| $I_{VDD(PIN)}$ | Maximum current into each V_{DD} power pin (source) ⁽¹⁾ | 100 | |
| $I_{VSS(PIN)}$ | Maximum current out of each V_{SS} ground pin (sink) ⁽¹⁾ | 100 | |
| I_{IO} | Output current sunk by any I/O and control pin except FTf pins | 16 | |
| | Output current sunk by FTf pins | 22 | |
| | Output current sourced by any I/O and control pin | -16 | |
| $\Sigma I_{IO(PIN)}$ | Total output current sunk by sum of all IOs and control pins except PA11 and PA12 ⁽²⁾ | 90 | |
| | Total output current sunk by PA11 and PA12 | 25 | |
| | Total output current sourced by sum of all IOs and control pins ⁽²⁾ | -90 | |
| $I_{INJ(PIN)}$ | Injected current on FT, FTf, RST and B pins | -5/+0 ⁽³⁾ | |
| | Injected current on TC pin | ± 5 ⁽⁴⁾ | |
| $\Sigma I_{INJ(PIN)}$ | Total injected current (sum of all I/O and control pins) ⁽⁵⁾ | ± 25 | |

1. All main power (V_{DD} , V_{DDA}) and ground (V_{SS} , V_{SSA}) pins must always be connected to the external power supply, in the permitted range.
2. This current consumption must be correctly distributed over all I/Os and control pins. The total output current must not be sunk/sourced between two consecutive power supply pins referring to high pin count LQFP packages.
3. Positive current injection is not possible on these I/Os. A negative injection is induced by $V_{IN} < V_{SS}$. $I_{INJ(PIN)}$ must never be exceeded. Refer to [Table 20](#) for maximum allowed input voltage values.
4. A positive injection is induced by $V_{IN} > V_{DD}$ while a negative injection is induced by $V_{IN} < V_{SS}$. $I_{INJ(PIN)}$ must never be exceeded. Refer to [Table 20: Voltage characteristics](#) for the maximum allowed input voltage values.
5. When several inputs are submitted to a current injection, the maximum $\Sigma I_{INJ(PIN)}$ is the absolute sum of the positive and negative injected currents (instantaneous values).

Table 22. Thermal characteristics

| Symbol | Ratings | Value | Unit |
|-----------|------------------------------|-------------|------|
| T_{STG} | Storage temperature range | -65 to +150 | °C |
| T_J | Maximum junction temperature | 150 | °C |

6.3 Operating conditions

6.3.1 General operating conditions

Table 23. General operating conditions

| Symbol | Parameter | Conditions | Min | Max | Unit |
|---------------------|---|--|------|----------------------|------|
| f _{HCLK} | Internal AHB clock frequency | - | 0 | 32 | MHz |
| f _{PCLK1} | Internal APB1 clock frequency | - | 0 | 32 | |
| f _{PCLK2} | Internal APB2 clock frequency | - | 0 | 32 | |
| V _{DD} | Standard operating voltage | BOR detector disabled | 1.65 | 3.6 | V |
| | | BOR detector enabled, at power-on | 1.8 | 3.6 | |
| | | BOR detector disabled, after power-on | 1.65 | 3.6 | |
| V _{DDA} | Analog operating voltage (DAC not used) | Must be the same voltage as V _{DD} ⁽¹⁾ | 1.65 | 3.6 | V |
| V _{DDA} | Analog operating voltage (all features) | Must be the same voltage as V _{DD} ⁽¹⁾ | 1.8 | 3.6 | V |
| V _{DD_USB} | Standard operating voltage, USB domain ⁽²⁾ | USB peripheral used | 3.0 | 3.6 | V |
| | | USB peripheral not used | 0 | 3.6 | |
| V _{IN} | Input voltage on FT, FTf and RST pins ⁽³⁾ | 2.0 V ≤ V _{DD} ≤ 3.6 V | -0.3 | 5.5 | V |
| | | 1.65 V ≤ V _{DD} ≤ 2.0 V | -0.3 | 5.2 | |
| | Input voltage on BOOT0 pin | - | 0 | 5.5 | |
| | Input voltage on TC pin | - | -0.3 | V _{DD} +0.3 | |
| P _D | Power dissipation at T _A = 85 °C (range 6) or T _A = 105 °C (range 7) ⁽⁴⁾ | WLCSP49 | - | 417 | mW |
| | | UFQFPN48 | - | 714 | |
| | | UFQFPN32 | - | 556 | |
| | | LQFP32 | - | 333 | |
| | Power dissipation at T _A = 125 °C (range 3) ⁽⁴⁾ | WLCSP49 | - | 104 | |
| | | UFQFPN48 | - | 179 | |
| | | UFQFPN32 | - | 139 | |
| | | LQFP32 | - | 83 | |
| T _A | Temperature range | Maximum power dissipation (range 6) | -40 | 85 | °C |
| | | Maximum power dissipation (range 7) | -40 | 105 | |
| | | Maximum power dissipation (range 3) | -40 | 125 | |
| T _J | Junction temperature range (range 6) | -40 °C ≤ T _A ≤ 85 ° | -40 | 105 | |
| | Junction temperature range (range 7) | -40 °C ≤ T _A ≤ 105 °C | -40 | 125 | |
| | Junction temperature range (range 3) | -40 °C ≤ T _A ≤ 125 °C | -40 | 130 | |

1. It is recommended to power V_{DD} and V_{DDA} from the same source. A maximum difference of 300 mV between V_{DD} and V_{DDA} can be tolerated during power-up and normal operation.

2. V_{DD_USB} must respect the following conditions:
 - When V_{DD} is powered-on ($V_{DD} < V_{DD_min}$), V_{DD_USB} should be always lower than V_{DD} .
 - When V_{DD} is powered-down ($V_{DD} < V_{DD_min}$), V_{DD_USB} should be always lower than V_{DD} .
 - In operating mode, V_{DD_USB} could be lower or higher V_{DD} .
 - If the USB is not used, V_{DD_USB} must range from V_{DD_min} to V_{DD_max} to be able to use PA11 and PA12 as standard I/Os.
 - If the USB is not used and PA11/PA12 are not used as standard I/Os, V_{DD_USB} must be connected to a V_{SS} or V_{DD} power supply voltage (V_{DD_USB} must not be left floating).
3. To sustain a voltage higher than $V_{DD}+0.3V$, the internal pull-up/pull-down resistors must be disabled.
4. If T_A is lower, higher P_D values are allowed as long as T_J does not exceed T_J max (see [Table 82: Thermal characteristics on page 124](#)).

6.3.2 Embedded reset and power control block characteristics

The parameters given in the following table are derived from the tests performed under the ambient temperature condition summarized in [Table 23](#).

Table 24. Embedded reset and power control block characteristics

| Symbol | Parameter | Conditions | Min | Typ | Max | Unit |
|----------------------|---|--|------|------|----------|-----------------|
| $t_{VDD}^{(1)}$ | V_{DD} rise time rate | BOR detector enabled | 0 | - | ∞ | $\mu\text{s/V}$ |
| | | BOR detector disabled | 0 | - | 1000 | |
| | V_{DD} fall time rate | BOR detector enabled | 20 | - | ∞ | |
| | | BOR detector disabled | 0 | - | 1000 | |
| $T_{RSTTEMPO}^{(1)}$ | Reset temporization | V_{DD} rising, BOR enabled | - | 2 | 3.3 | ms |
| | | V_{DD} rising, BOR disabled ⁽²⁾ | 0.4 | 0.7 | 1.6 | |
| $V_{POR/PDR}$ | Power-on/power down reset threshold | Falling edge | 1 | 1.5 | 1.65 | V |
| | | Rising edge | 1.3 | 1.5 | 1.65 | |
| V_{BOR0} | Brown-out reset threshold 0 | Falling edge | 1.67 | 1.7 | 1.74 | |
| | | Rising edge | 1.69 | 1.76 | 1.8 | |
| V_{BOR1} | Brown-out reset threshold 1 | Falling edge | 1.87 | 1.93 | 1.97 | |
| | | Rising edge | 1.96 | 2.03 | 2.07 | |
| V_{BOR2} | Brown-out reset threshold 2 | Falling edge | 2.22 | 2.30 | 2.35 | |
| | | Rising edge | 2.31 | 2.41 | 2.44 | |
| V_{BOR3} | Brown-out reset threshold 3 | Falling edge | 2.45 | 2.55 | 2.6 | |
| | | Rising edge | 2.54 | 2.66 | 2.7 | |
| V_{BOR4} | Brown-out reset threshold 4 | Falling edge | 2.68 | 2.8 | 2.85 | |
| | | Rising edge | 2.78 | 2.9 | 2.95 | |
| V_{PVD0} | Programmable voltage detector threshold 0 | Falling edge | 1.8 | 1.85 | 1.88 | |
| | | Rising edge | 1.88 | 1.94 | 1.99 | |
| V_{PVD1} | PVD threshold 1 | Falling edge | 1.98 | 2.04 | 2.09 | |
| | | Rising edge | 2.08 | 2.14 | 2.18 | |
| V_{PVD2} | PVD threshold 2 | Falling edge | 2.20 | 2.24 | 2.28 | |
| | | Rising edge | 2.28 | 2.34 | 2.38 | |
| V_{PVD3} | PVD threshold 3 | Falling edge | 2.39 | 2.44 | 2.48 | |
| | | Rising edge | 2.47 | 2.54 | 2.58 | |
| V_{PVD4} | PVD threshold 4 | Falling edge | 2.57 | 2.64 | 2.69 | |
| | | Rising edge | 2.68 | 2.74 | 2.79 | |
| V_{PVD5} | PVD threshold 5 | Falling edge | 2.77 | 2.83 | 2.88 | |
| | | Rising edge | 2.87 | 2.94 | 2.99 | |

Table 24. Embedded reset and power control block characteristics (continued)

| Symbol | Parameter | Conditions | Min | Typ | Max | Unit |
|-------------------|--------------------|---|------|------|------|------|
| V _{PVD6} | PVD threshold 6 | Falling edge | 2.97 | 3.05 | 3.09 | V |
| | | Rising edge | 3.08 | 3.15 | 3.20 | |
| V _{hyst} | Hysteresis voltage | BOR0 threshold | - | 40 | - | mV |
| | | All BOR and PVD thresholds excepting BOR0 | - | 100 | - | |

1. Guaranteed by characterization results.
2. Valid for device version without BOR at power up. Please see option "D" in Ordering information scheme for more details.

6.3.3 Embedded internal reference voltage

The parameters given in [Table 26](#) are based on characterization results, unless otherwise specified.

Table 25. Embedded internal reference voltage calibration values

| Calibration value name | Description | Memory address |
|------------------------|---|---------------------------|
| VREFINT_CAL | Raw data acquired at temperature of 25 °C V _{DDA} = 3 V | 0x1FF8 0078 - 0x1FF8 0079 |

Table 26. Embedded internal reference voltage⁽¹⁾

| Symbol | Parameter | Conditions | Min | Typ | Max | Unit |
|--|---|---|-------|-------|-------|--------|
| V _{REFINT out} ⁽²⁾ | Internal reference voltage | -40 °C < T _J < +125 °C | 1.202 | 1.224 | 1.242 | V |
| T _{VREFINT} | Internal reference startup time | - | - | 2 | 3 | ms |
| V _{VREF_MEAS} | V _{DDA} and V _{REF+} voltage during V _{REFINT} factory measure | - | 2.99 | 3 | 3.01 | V |
| A _{VREF_MEAS} | Accuracy of factory-measured V _{REFINT} value ⁽³⁾ | Including uncertainties due to ADC and V _{DDA} /V _{REF+} values | - | - | ±5 | mV |
| T _{Coef} ⁽⁴⁾ | Temperature coefficient | -40 °C < T _J < +125 °C | - | 25 | 100 | ppm/°C |
| A _{Coef} ⁽⁴⁾ | Long-term stability | 1000 hours, T = 25 °C | - | - | 1000 | ppm |
| V _{DDCoef} ⁽⁴⁾ | Voltage coefficient | 3.0 V < V _{DDA} < 3.6 V | - | - | 2000 | ppm/V |
| T _{S_vrefint} ⁽⁴⁾⁽⁵⁾ | ADC sampling time when reading the internal reference voltage | - | 5 | 10 | - | µs |
| T _{ADC_BUF} ⁽⁴⁾ | Startup time of reference voltage buffer for ADC | - | - | - | 10 | µs |
| I _{BUF_ADC} ⁽⁴⁾ | Consumption of reference voltage buffer for ADC | - | - | 13.5 | 25 | µA |
| I _{VREF_OUT} ⁽⁴⁾ | VREF_OUT output current ⁽⁶⁾ | - | - | - | 1 | µA |
| C _{VREF_OUT} ⁽⁴⁾ | VREF_OUT output load | - | - | - | 50 | pF |

Table 26. Embedded internal reference voltage⁽¹⁾ (continued)

| Symbol | Parameter | Conditions | Min | Typ | Max | Unit |
|--------------------------|---|------------|-----|-----|------|-------------------|
| $I_{LPBUF}^{(4)}$ | Consumption of reference voltage buffer for VREF_OUT and COMP | - | - | 730 | 1200 | nA |
| $V_{REFINT_DIV1}^{(4)}$ | 1/4 reference voltage | - | 24 | 25 | 26 | % V_{REFINT} |
| $V_{REFINT_DIV2}^{(4)}$ | 1/2 reference voltage | - | 49 | 50 | 51 | |
| $V_{REFINT_DIV3}^{(4)}$ | 3/4 reference voltage | - | 74 | 75 | 76 | |

1. Refer to [Table 38: Peripheral current consumption in Stop and Standby mode](#) for the value of the internal reference current consumption (I_{REFINT}).
2. Guaranteed by test in production.
3. The internal V_{REF} value is individually measured in production and stored in dedicated EEPROM bytes.
4. Guaranteed by design.
5. Shortest sampling time can be determined in the application by multiple iterations.
6. To guarantee less than 1% VREF_OUT deviation.

6.3.4 Supply current characteristics

The current consumption is a function of several parameters and factors such as the operating voltage, temperature, I/O pin loading, device software configuration, operating frequencies, I/O pin switching rate, program location in memory and executed binary code. The current consumption is measured as described in [Figure 10: Current consumption measurement scheme](#).

All Run-mode current consumption measurements given in this section are performed with a reduced code that gives a consumption equivalent to Dhrystone 2.1 code if not specified otherwise.

The current consumption values are derived from the tests performed under ambient temperature and V_{DD} supply voltage conditions summarized in [Table 23: General operating conditions](#) unless otherwise specified.

The MCU is placed under the following conditions:

- All I/O pins are configured in analog input mode
- All peripherals are disabled except when explicitly mentioned
- The Flash memory access time and prefetch is adjusted depending on fHCLK frequency and voltage range to provide the best CPU performance unless otherwise specified.
- When the peripherals are enabled $f_{APB1} = f_{APB2} = f_{APB}$
- When PLL is ON, the PLL inputs are equal to HSI = 16 MHz (if internal clock is used) or HSE = 16 MHz (if HSE bypass mode is used)
- The HSE user clock applied to OSCI_IN input follows the characteristic specified in [Table 40: High-speed external user clock characteristics](#)
- For maximum current consumption $V_{DD} = V_{DDA} = 3.6$ V is applied to all supply pins
- For typical current consumption $V_{DD} = V_{DDA} = 3.0$ V is applied to all supply pins if not specified otherwise

The parameters given in [Table 48](#), [Table 23](#) and [Table 24](#) are derived from tests performed under ambient temperature and V_{DD} supply voltage conditions summarized in [Table 23](#).

Table 27. Current consumption in Run mode, code with data processing running from Flash memory

| Symbol | Parameter | Condition | f _{HCLK} (MHz) | Typ | Max ⁽¹⁾ | Unit | | |
|---|--|---|---------------------------------|---------------------------------|--------------------|------|------|----|
| I _{DD} (Run from Flash memory) | Supply current in Run mode code executed from Flash memory | f _{HSE} = f _{HCLK} up to 16MHz included, f _{HSE} = f _{HCLK} /2 above 16 MHz (PLL ON) ⁽²⁾ | Range3, Vcore=1.2 V VOS[1:0]=11 | 1 | 190 | 250 | μA | |
| | | | | 2 | 345 | 380 | | |
| | | | | 4 | 650 | 670 | | |
| | | | | Range2, Vcore=1.5 V VOS[1:0]=10 | 4 | 0,8 | 0,86 | mA |
| | | | | 8 | 1,55 | 1,7 | | |
| | | | | 16 | 2,95 | 3,1 | | |
| | | | Range1, Vcore=1.8 V VOS[1:0]=01 | 8 | 1,9 | 2,1 | | |
| | | | 16 | 3,55 | 3,8 | | | |
| | | | 32 | 6,65 | 7,2 | | | |
| | | | MSI clock source | Range3, Vcore=1.2 V VOS[1:0]=11 | 0,065 | 39 | 130 | μA |
| | | 0,524 | | | 115 | 210 | | |
| | | 4,2 | | | 700 | 770 | | |
| | HSI clock source (16MHz) | Range2, Vcore=1.5 V VOS[1:0]=10 | 16 | 2,9 | 3,2 | mA | | |
| | | | Range1, Vcore=1.8 V VOS[1:0]=01 | 32 | 7,15 | | 7,4 | |

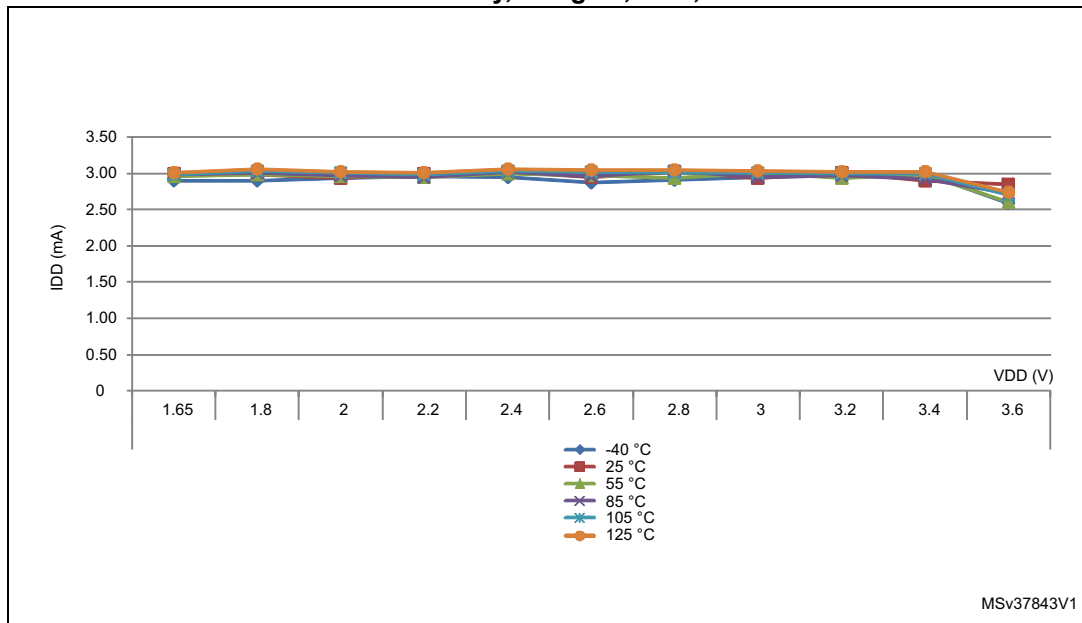
1. Guaranteed by characterization results at 125 °C, unless otherwise specified.
2. Oscillator bypassed (HSEBYP = 1 in RCC_CR register).

Table 28. Current consumption in Run mode vs code type, code with data processing running from Flash memory

| Symbol | Parameter | Conditions | | f _{HCLK} | Typ | Unit | |
|--|---|--|--|-----------------------------|--------|------|----|
| I _{DD} (Run from Flash memory) | Supply current in Run mode, code executed from Flash memory | f _{HSE} = f _{HCLK} up to 16 MHz included, f _{HSE} = f _{HCLK} /2 above 16 MHz (PLL ON) ⁽¹⁾ | Range 3, V _{CORE} =1.2 V, VOS[1:0]=11 | Dhrystone | 4 MHz | 650 | μA |
| | | | | CoreMark | | 655 | |
| | | | | Fibonacci | | 485 | |
| | | | | while(1) | | 385 | |
| | | | | while(1), 1WS, prefetch OFF | | 375 | |
| | | | Range 1, V _{CORE} =1.8 V, VOS[1:0]=01 | Dhrystone | 32 MHz | 6,65 | mA |
| | | | | CoreMark | | 6,9 | |
| | | | | Fibonacci | | 6,75 | |
| | | | | while(1) | | 5,8 | |
| | | | | while(1), prefetch OFF | | 5,5 | |

1. Oscillator bypassed (HSEBYP = 1 in RCC_CR register).

Figure 11. I_{DD} vs V_{DD}, at T_A= 25/55/85/105 °C, Run mode, code running from Flash memory, Range 2, HSE, 1WS



MSv37843V1

Figure 12. I_{DD} vs V_{DD} , at $T_A = 25/55/85/105$ °C, Run mode, code running from Flash memory, Range 2, HSI16, 1WS

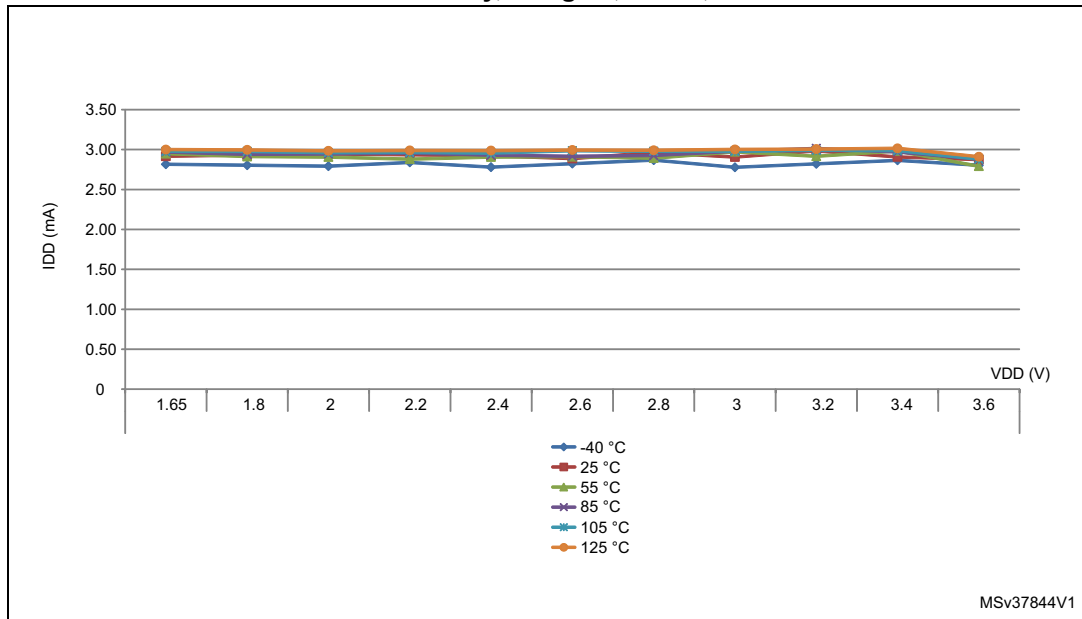


Table 29. Current consumption in Run mode, code with data processing running from RAM

| Symbol | Parameter | Condition | f _{HCLK} (MHz) | Typ | Max ⁽¹⁾ | Unit | |
|--------------------------------|--|--|---------------------------------|-------|--------------------|------|----|
| I _{DD} (Run from RAM) | Supply current in Run mode code executed from RAM, Flash memory switched off | f _{HSE} = f _{HCLK} up to 16 MHz included, f _{HSE} = f _{HCLK} /2 above 16 MHz (PLL ON) ⁽²⁾ | Range3, Vcore=1.2 V VOS[1:0]=11 | 1 | 175 | 230 | μA |
| | | | | 2 | 315 | 360 | |
| | | | | 4 | 570 | 630 | |
| | | | Range2, Vcore=1.5 V VOS[1:0]=10 | 4 | 0,71 | 0,78 | mA |
| | | | | 8 | 1,35 | 1,6 | |
| | | | | 16 | 2,7 | 3 | |
| | | Range1, Vcore=1.8 V VOS[1:0]=01 | 8 | 1,7 | 1,9 | mA | |
| | | | 16 | 3,2 | 3,7 | | |
| | | | 32 | 6,65 | 7,1 | | |
| | | MSI clock | Range3, Vcore=1.2 V VOS[1:0]=11 | 0,065 | 38 | 98 | μA |
| | | | | 0,524 | 105 | 160 | |
| | | | | 4,2 | 615 | 710 | |
| HSI clock source (16 MHz) | Range2, Vcore=1.5 V VOS[1:0]=10 | 16 | 2,85 | 3 | mA | | |
| | Range1, Vcore=1.8 V VOS[1:0]=01 | 32 | 6,85 | 7,3 | | | |

1. Guaranteed by characterization results at 125 °C, unless otherwise specified.

2. Oscillator bypassed (HSEBYP = 1 in RCC_CR register).

Table 30. Current consumption in Run mode vs code type, code with data processing running from RAM⁽¹⁾

| Symbol | Parameter | Conditions | | f _{HCLK} | Typ | Unit | |
|--------------------------------|---|--|--|-------------------|-----------|------|------|
| I _{DD} (Run from RAM) | Supply current in Run mode, code executed from RAM, Flash memory switched off | f _{HSE} = f _{HCLK} up to 16 MHz included, f _{HSE} = f _{HCLK} /2 above 16 MHz (PLL ON) ⁽²⁾ | Range 3, V _{CORE} =1.2 V, VOS[1:0]=11 | Dhrystone | 4 MHz | 570 | μA |
| | | | | CoreMark | | 670 | |
| | | | | Fibonacci | | 410 | |
| | | | | while(1) | | 375 | |
| | | Range 1, V _{CORE} =1.8 V, VOS[1:0]=01 | Dhrystone | 32 MHz | 6,65 | mA | |
| | | | | | CoreMark | | 6,95 |
| | | | | | Fibonacci | | 5,9 |
| | | | | | while(1) | | 5,2 |

1. Guaranteed by characterization results, unless otherwise specified.

2. Oscillator bypassed (HSEBYP = 1 in RCC_CR register).

Table 31. Current consumption in Sleep mode

| Symbol | Parameter | Condition | | f _{HCLK} (MHz) | Typ | Max ⁽¹⁾ | Unit |
|----------------------------|---|--|---------------------------------|-------------------------|------|--------------------|------|
| I _{DD} (Sleep) | Supply current in Sleep mode, Flash memory switched OFF | f _{HSE} = f _{HCLK} up to 16 MHz included, f _{HSE} = f _{HCLK} /2 above 16 MHz (PLL ON) ⁽²⁾ | Range3, Vcore=1.2 V VOS[1:0]=11 | 1 | 43,5 | 110 | μA |
| | | | | 2 | 72 | 140 | |
| | | | | 4 | 130 | 200 | |
| | | | Range2, Vcore=1.5 V VOS[1:0]=10 | 4 | 160 | 220 | |
| | | | | 8 | 305 | 380 | |
| | | | | 16 | 590 | 690 | |
| | | Range1, Vcore=1.8 V VOS[1:0]=01 | 8 | 370 | 460 | | |
| | | | 16 | 715 | 840 | | |
| | | | 32 | 1650 | 2000 | | |
| | | MSI clock | Range3, Vcore=1.2 V VOS[1:0]=11 | 0,065 | 18 | 93 | |
| | | | | 0,524 | 31,5 | 110 | |
| | | | | 4,2 | 140 | 230 | |
| | HSI clock source (16 MHz) | Range2, Vcore=1.5 V VOS[1:0]=10 | 16 | 665 | 850 | | |
| | | Range1, Vcore=1.8 V VOS[1:0]=01 | 32 | 1750 | 2100 | | |
| | Supply current in Sleep mode, Flash memory switched ON | f _{HSE} = f _{HCLK} up to 16MHz included, f _{HSE} = f _{HCLK} /2 above 16 MHz (PLL ON) ⁽²⁾ | Range3, Vcore=1.2 V VOS[1:0]=11 | 1 | 57,5 | 130 | |
| | | | | 2 | 84 | 160 | |
| | | | | 4 | 150 | 220 | |
| | | | Range2, Vcore=1.5 V VOS[1:0]=10 | 4 | 170 | 240 | |
| | | | | 8 | 315 | 400 | |
| | | | | 16 | 605 | 710 | |
| | | Range1, Vcore=1.8 V VOS[1:0]=01 | 8 | 380 | 470 | | |
| | | | 16 | 730 | 860 | | |
| | | | 32 | 1650 | 2000 | | |
| | | MSI clock | Range3, Vcore=1.2 V VOS[1:0]=11 | 0,065 | 29,5 | 110 | |
| 0,524 | | | | 44,5 | 120 | | |
| 4,2 | | | | 150 | 240 | | |
| HSI clock source (16MHz) | Range2, Vcore=1.5 V VOS[1:0]=10 | 16 | 680 | 930 | | | |
| | Range1, Vcore=1.8 V VOS[1:0]=01 | 32 | 1750 | 2200 | | | |

1. Guaranteed by characterization results at 125 °C, unless otherwise specified.

2. Oscillator bypassed (HSEBYP = 1 in RCC_CR register).

Table 32. Current consumption in Low-power run mode

| Symbol | Parameter | Condition | | f _{HCLK} (MHz) | Typ | Max ⁽¹⁾ | Unit | |
|--|--------------------------------------|--|--|-------------------------------|-------------------------------|--------------------|------|----|
| I _{DD} (LP Run) | Supply current in Low-power run mode | All peripherals OFF, code executed from RAM, Flash memory switched OFF, V _{DD} from 1.65 to 3.6 V | MSI clock = 65 kHz, f _{HCLK} = 32 kHz | T _A = - 40 to 25°C | 0,032 | 9,45 | 12 | μA |
| | | | | T _A = 85°C | | 14 | 58 | |
| | | | | T _A = 105°C | | 21 | 64 | |
| | | | | T _A = 125°C | | 36,5 | 160 | |
| | | | MSI clock = 65 kHz, f _{HCLK} = 65kHz | T _A = - 40 to 25°C | 0,065 | 14,5 | 18 | |
| | | | | T _A = 85°C | | 19,5 | 60 | |
| | | | | T _A = 105°C | | 26 | 65 | |
| | | | | T _A = 125°C | | 42 | 160 | |
| | | | MSI clock=131 kHz, f _{HCLK} = 131 kHz | T _A = - 40 to 25°C | 0,131 | 26,5 | 30 | |
| | | | | T _A = 55°C | | 27,5 | 60 | |
| | | | | T _A = 85°C | | 31 | 66 | |
| | | | | T _A = 105°C | | 37,5 | 77 | |
| | | All peripherals OFF, code executed from Flash memory, V _{DD} from 1.65 V to 3.6 V | MSI clock = 65 kHz, f _{HCLK} = 32 kHz | 0,032 | T _A = - 40 to 25°C | 24,5 | 34 | |
| | | | | | T _A = 85°C | 30 | 82 | |
| | | | | | T _A = 105°C | 38,5 | 90 | |
| | | | | | T _A = 125°C | 58 | 120 | |
| | | | MSI clock = 65 kHz, f _{HCLK} = 65 kHz | 0,065 | T _A = - 40 to 25°C | 30,5 | 40 | |
| | | | | | T _A = 85°C | 36,5 | 88 | |
| | | | | | T _A = 105°C | 45 | 96 | |
| | | | | | T _A = 125°C | 64,5 | 120 | |
| MSI clock = 131 kHz, f _{HCLK} = 131 kHz | 0,131 | | T _A = - 40 to 25°C | 45 | 56 | | | |
| | | | T _A = 55°C | 48 | 96 | | | |
| | | | T _A = 85°C | 51 | 110 | | | |
| | | | T _A = 105°C | 59,5 | 120 | | | |
| | | | | T _A = 125°C | 79,5 | 150 | | |

1. Guaranteed by characterization results at 125 °C, unless otherwise specified.

Figure 13. I_{DD} vs V_{DD} , at $T_A = 25^\circ\text{C}$, Low-power run mode, code running from RAM, Range 3, MSI (Range 0) at 64 KHz, 0 WS

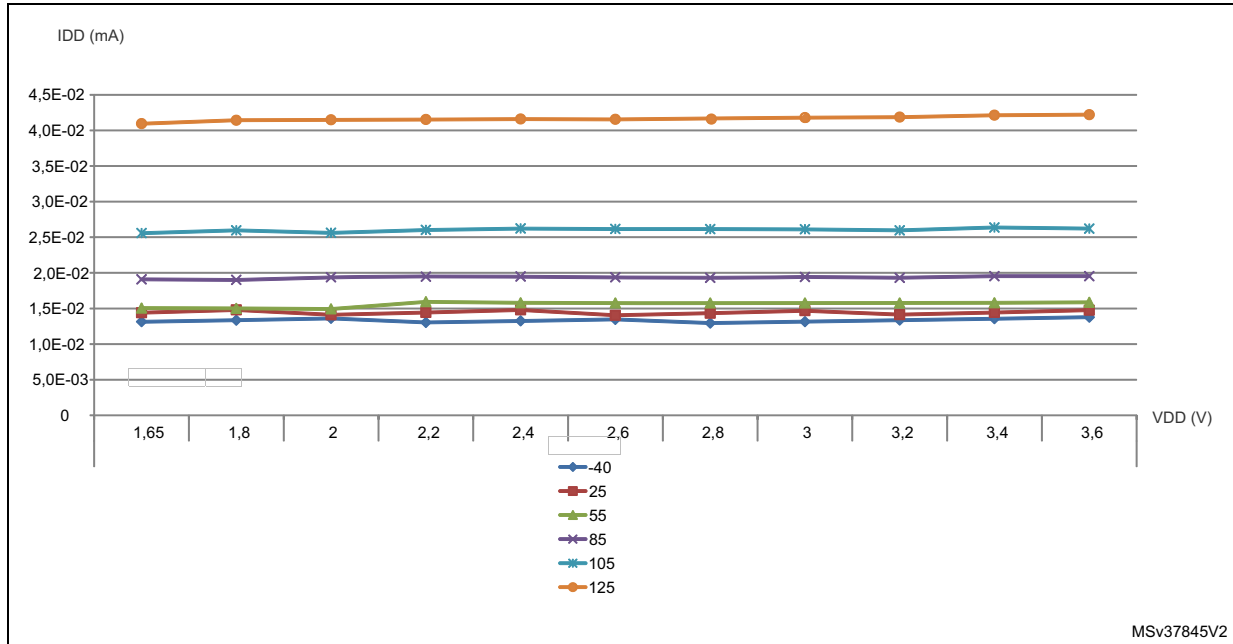


Table 33. Current consumption in Low-power sleep mode

| Symbol | Parameter | Condition | Typ | Max (1) | Unit | | |
|---------------------------|--|---|--|-----------------------------------|------|---------------|----|
| I_{DD} (LP Sleep) | Supply current in Low-power sleep mode | All peripherals OFF, code executed from Flash memory, V_{DD} from 1.65 to 3.6 V | MSI clock = 65 kHz, $f_{HCLK} = 32$ kHz, Flash memory OFF, $T_A = -40$ to 25°C | 4,7 | - | μA | |
| | | | MSI clock = 65 kHz, $f_{HCLK} = 32$ kHz | $T_A = -40$ to 25°C | 17 | | 24 |
| | | | | $T_A = 85^\circ\text{C}$ | 19,5 | | 30 |
| | | | | $T_A = 105^\circ\text{C}$ | 23 | | 47 |
| | | | MSI clock = 65 kHz, $f_{HCLK} = 65$ kHz | $T_A = 125^\circ\text{C}$ | 32,5 | | 70 |
| | | | | $T_A = -40$ to 25°C | 17 | | 24 |
| | | | | $T_A = 85^\circ\text{C}$ | 20 | | 31 |
| | | | MSI clock = 131kHz, $f_{HCLK} = 131$ kHz | $T_A = 105^\circ\text{C}$ | 23,5 | | 47 |
| | | | | $T_A = 125^\circ\text{C}$ | 32,5 | | 70 |
| | | | | $T_A = -40$ to 25°C | 19,5 | | 27 |
| | | | | $T_A = 55^\circ\text{C}$ | 20,5 | | 28 |
| | | | | $T_A = 85^\circ\text{C}$ | 22,5 | | 33 |
| $T_A = 105^\circ\text{C}$ | 26 | 50 | | | | | |
| $T_A = 125^\circ\text{C}$ | 35 | 73 | | | | | |

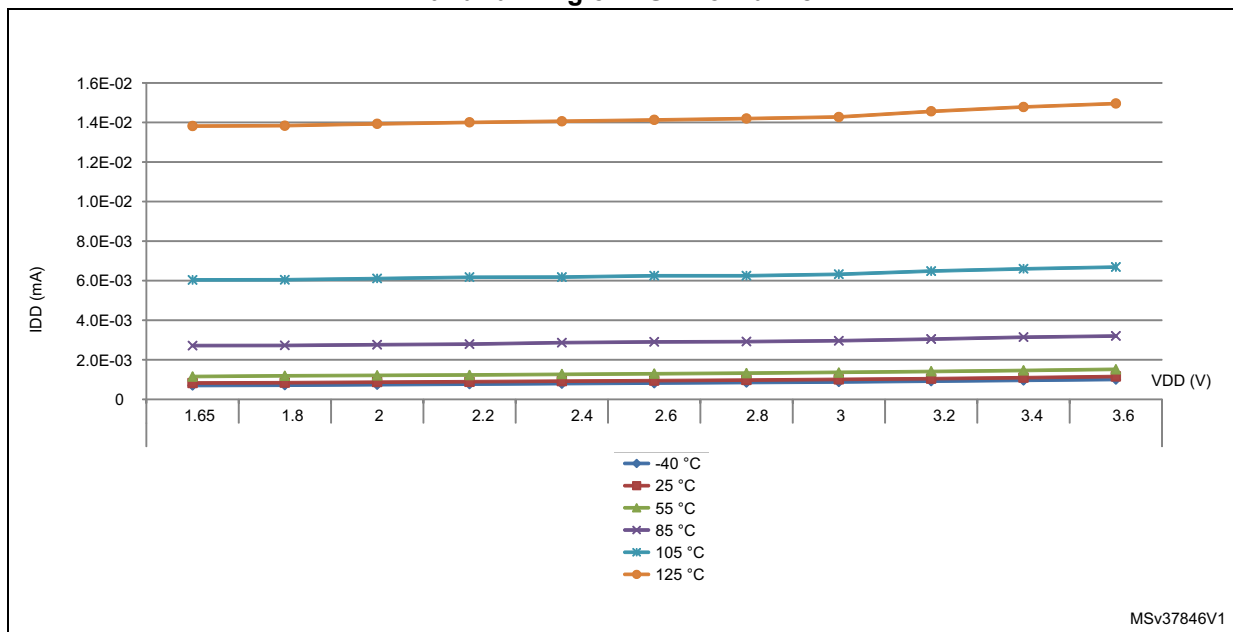
1. Guaranteed by characterization results at 125 °C, unless otherwise specified.

Table 34. Typical and maximum current consumptions in Stop mode

| Symbol | Parameter | Conditions | Typ | Max ⁽¹⁾ | Unit |
|------------------------|-----------------------------|-------------------------------|-------|--------------------|------|
| I _{DD} (Stop) | Supply current in Stop mode | T _A = - 40 to 25°C | 0,43 | 1,00 | µA |
| | | T _A = 55°C | 0,735 | 2,50 | |
| | | T _A = 85°C | 2,25 | 4,90 | |
| | | T _A = 105°C | 5,3 | 13,00 | |
| | | T _A = 125°C | 12,5 | 28,00 | |

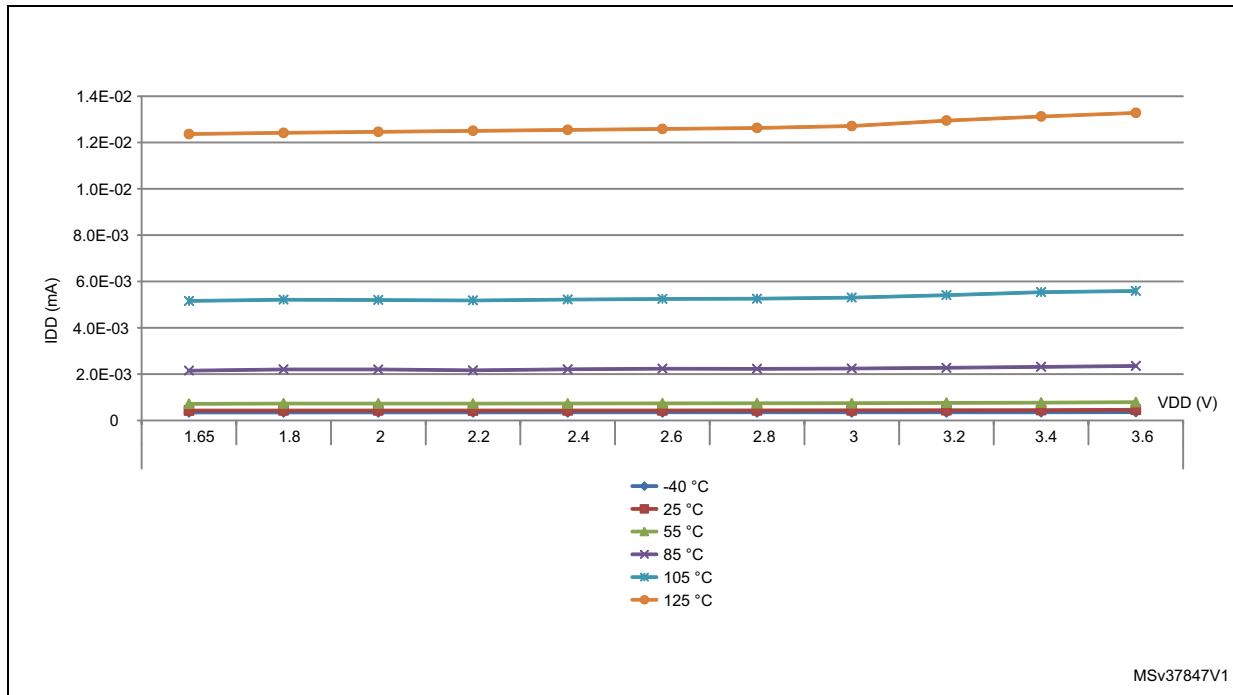
1. Guaranteed by characterization results at 125 °C, unless otherwise specified.

Figure 14. I_{DD} vs V_{DD}, at T_A= 25/55/ 85/105/125 °C, Stop mode with RTC enabled and running on LSE Low drive



MSv37846V1

Figure 15. I_{DD} vs V_{DD} , at $T_A = 25/55/85/105/125$ °C, Stop mode with RTC disabled, all clocks OFF



MSv37847V1

Table 35. Typical and maximum current consumptions in Standby mode

| Symbol | Parameter | Conditions | Typ | Max ⁽¹⁾ | Unit | |
|-----------------------|--------------------------------|--------------------------------------|------------------------|--------------------|------|---------|
| I_{DD} (Standby) | Supply current in Standby mode | Independent watchdog and LSI enabled | $T_A = -40$ to 25 °C | 0,855 | 1,70 | μA |
| | | | $T_A = 55$ °C | - | 2,90 | |
| | | | $T_A = 85$ °C | - | 3,30 | |
| | | | $T_A = 105$ °C | - | 4,10 | |
| | | | $T_A = 125$ °C | - | 8,50 | |
| | | Independent watchdog and LSI OFF | $T_A = -40$ to 25 °C | 0,29 | 0,60 | |
| | | | $T_A = 55$ °C | 0,32 | 1,20 | |
| | | | $T_A = 85$ °C | 0,5 | 2,30 | |
| | | | $T_A = 105$ °C | 0,94 | 3,00 | |
| | | | $T_A = 125$ °C | 2,6 | 7,00 | |

1. Guaranteed by characterization results at 125 °C, unless otherwise specified

Table 36. Average current consumption during Wakeup

| Symbol | parameter | System frequency | Current consumption during wakeup | Unit |
|--------------------------------|---|----------------------|-----------------------------------|------|
| I_{DD} (Wakeup from Stop) | Supply current during Wakeup from Stop mode | HSI | 1 | mA |
| | | HSI/4 | 0,7 | |
| | | MSI clock = 4,2 MHz | 0,7 | |
| | | MSI clock = 1,05 MHz | 0,4 | |
| | | MSI clock = 65 KHz | 0,1 | |
| I_{DD} (Reset) | Reset pin pulled down | - | 0,21 | |
| I_{DD} (Power-up) | BOR ON | - | 0,23 | |
| I_{DD} (Wakeup from StandBy) | With Fast wakeup set | MSI clock = 2,1 MHz | 0,5 | |
| | With Fast wakeup disabled | MSI clock = 2,1 MHz | 0,12 | |

On-chip peripheral current consumption

The current consumption of the on-chip peripherals is given in the following tables. The MCU is placed under the following conditions:

- all I/O pins are in input mode with a static value at V_{DD} or V_{SS} (no load)
- all peripherals are disabled unless otherwise mentioned
- the given value is calculated by measuring the current consumption
 - with all peripherals clocked OFF
 - with only one peripheral clocked on

Table 37. Peripheral current consumption in Run or Sleep mode⁽¹⁾

| Peripheral | | Typical consumption, V _{DD} = 3.0 V, T _A = 25 °C | | | | Unit |
|------------|---------|--|---|---|-------------------------------|--------------------------------|
| | | Range 1, V _{CORE} =1.8 V VOS[1:0] = 01 | Range 2, V _{CORE} =1.5 V VOS[1:0] = 10 | Range 3, V _{CORE} =1.2 V VOS[1:0] = 11 | Low-power sleep and run | |
| APB1 | CRS | 2.5 | 2 | 2 | 2 | μA/MHz (f _{HCLK}) |
| | DAC1/2 | 4 | 3.5 | 3 | 2.5 | |
| | I2C1 | 11 | 9.5 | 7.5 | 9 | |
| | I2C2 | 4 | 3.5 | 3 | 2.5 | |
| | I2C3 | 11 | 9 | 7 | 9 | |
| | LPTIM1 | 10 | 8.5 | 6.5 | 8 | |
| | LPUART1 | 8 | 6.5 | 5.5 | 6 | |
| | SPI2 | 9 | 4.5 | 3.5 | 4 | |
| | USART2 | 14.5 | 12 | 9.5 | 11 | |
| | USART4 | 5 | 4 | 3 | 5 | |
| | USART5 | 5 | 4 | 3 | 5 | |
| | USB | 8.5 | 4.5 | 4 | 4.5 | |
| | TIM2 | 10.5 | 8.5 | 7 | 9 | |
| | TIM3 | 12 | 10 | 8 | 11 | |
| | TIM6 | 3.5 | 3 | 2.5 | 2 | |
| | TIM7 | 3.5 | 3 | 2.5 | 2 | |
| WWDG | 3 | 2 | 2 | 2 | | |

Table 37. Peripheral current consumption in Run or Sleep mode⁽¹⁾ (continued)

| Peripheral | | Typical consumption, V _{DD} = 3.0 V, T _A = 25 °C | | | | Unit |
|--------------------------|---------------------|--|---|---|-------------------------------|--------------------------------|
| | | Range 1, V _{CORE} =1.8 V VOS[1:0] = 01 | Range 2, V _{CORE} =1.5 V VOS[1:0] = 10 | Range 3, V _{CORE} =1.2 V VOS[1:0] = 11 | Low-power sleep and run | |
| APB2 | ADC1 ⁽²⁾ | 5.5 | 5 | 3.5 | 4 | µA/MHz (f _{HCLK}) |
| | SPI1 | 4 | 3 | 3 | 2.5 | |
| | USART1 | 14.5 | 11.5 | 9.5 | 12 | |
| | TIM21 | 7.5 | 6 | 5 | 5.5 | |
| | TIM22 | 7 | 6 | 5 | 6 | |
| | FIREWALL | 1.5 | 1 | 1 | 0.5 | |
| | DBGMCU | 1.5 | 1 | 1 | 0.5 | |
| | SYSCFG | 2.5 | 2 | 2 | 1.5 | |
| Cortex-M0+ core I/O port | GPIOA | 3.5 | 3 | 2.5 | 2.5 | µA/MHz (f _{HCLK}) |
| | GPIOB | 3.5 | 2.5 | 2 | 2.5 | |
| | GPIOC | 8.5 | 6.5 | 5.5 | 7 | |
| | GPIOH | 1.5 | 1 | 1 | 0.5 | |
| AHB | CRC | 1.5 | 1 | 1 | 1 | µA/MHz (f _{HCLK}) |
| | FLASH | 0 ⁽³⁾ | 0 ⁽³⁾ | 0 ⁽³⁾ | 0 ⁽³⁾ | |
| | DMA1 | 10 | 8 | 6.5 | 8.5 | |
| | RNG | 5.5 | 1 | 0.5 | 0.5 | |
| | TSC | 3 | 2.5 | 2 | 3 | |
| | AES | 0 ⁽³⁾ | 0 ⁽³⁾ | 0 ⁽³⁾ | 0 ⁽³⁾ | |
| All enabled | | 204 | 162 | 130 | 202 | µA/MHz (f _{HCLK}) |
| PWR | | 2.5 | 2 | 2 | 1 | µA/MHz (f _{HCLK}) |

1. Data based on differential I_{DD} measurement between all peripherals OFF on one peripheral with clock enabled, in the following conditions: f_{HCLK} = 32 MHz (range 1), f_{HCLK} = 16 MHz (range 2), f_{HCLK} = 4 MHz (range 3), f_{HCLK} = 64kHz (Low-power run/sleep), f_{APB1} = f_{HCLK}, f_{APB2} = f_{HCLK}, default prescaler value for each peripheral. The CPU is in Sleep mode in both cases. No I/O pins toggling. Not tested in production.
2. HSI oscillator is OFF for this measure.
3. Current consumption is negligible and close to 0 µA.

Table 38. Peripheral current consumption in Stop and Standby mode⁽¹⁾

| Symbol | Peripheral | Typical consumption, T _A = 25 °C | | Unit |
|----------------------------|------------------------------|---|------------------------|------|
| | | V _{DD} =1.8 V | V _{DD} =3.0 V | |
| I _{DD(PVD / BOR)} | - | 0.7 | 1.2 | μA |
| I _{REFINT} | - | - | 1.7 | |
| - | LSE Low drive ⁽²⁾ | 0.11 | 0,13 | |
| - | LSI | 0.27 | 0.31 | |
| - | IWDG | 0.2 | 0.3 | |
| - | LPTIM1, Input 100 Hz | 0.01 | 0,01 | |
| - | LPTIM1, Input 1 MHz | 11 | 12 | |
| - | LPUART1 | - | 0,5 | |
| - | RTC | 0.16 | 0,3 | |

1. LPTIM, LPUART peripherals can operate in Stop mode but not in Standby mode.
2. LSE Low drive consumption is the difference between an external clock on OSC32_IN and a quartz between OSC32_IN and OSC32_OUT.-

6.3.5 Wakeup time from low-power mode

The wakeup times given in the following table are measured with the MSI or HSI16 RC oscillator. The clock source used to wake up the device depends on the current operating mode:

- Sleep mode: the clock source is the clock that was set before entering Sleep mode
- Stop mode: the clock source is either the MSI oscillator in the range configured before entering Stop mode, the HSI16 or HSI16/4.
- Standby mode: the clock source is the MSI oscillator running at 2.1 MHz

All timings are derived from tests performed under ambient temperature and V_{DD} supply voltage conditions summarized in [Table 23](#).

Table 39. Low-power mode wakeup timings

| Symbol | Parameter | Conditions | Typ | Max | Unit |
|-------------------------|---|--|-----|-----|------------------------|
| t _{WUSLEEP} | Wakeup from Sleep mode | f _{HCLK} = 32 MHz | 7 | 8 | Number of clock cycles |
| t _{WUSLEEP_LP} | Wakeup from Low-power sleep mode, f _{HCLK} = 262 kHz | f _{HCLK} = 262 kHz Flash memory enabled | 7 | 8 | |
| | | f _{HCLK} = 262 kHz Flash memory switched OFF | 9 | 10 | |

Table 39. Low-power mode wakeup timings (continued)

| Symbol | Parameter | Conditions | Typ | Max | Unit |
|--|---|---|---------------------------------------|-----|---------------|
| t_{WUSTOP} | Wakeup from Stop mode, regulator in Run mode | $f_{HCLK} = f_{MSI} = 4.2 \text{ MHz}$ | 5.0 | 8 | μs |
| | | $f_{HCLK} = f_{HSI} = 16 \text{ MHz}$ | 4.9 | 7 | |
| | | $f_{HCLK} = f_{HSI}/4 = 4 \text{ MHz}$ | 8.0 | 11 | |
| | Wakeup from Stop mode, regulator in low-power mode | $f_{HCLK} = f_{MSI} = 4.2 \text{ MHz}$ Voltage range 1 | 5.0 | 8 | |
| | | $f_{HCLK} = f_{MSI} = 4.2 \text{ MHz}$ Voltage range 2 | 5.0 | 8 | |
| | | $f_{HCLK} = f_{MSI} = 4.2 \text{ MHz}$ Voltage range 3 | 5.0 | 8 | |
| | | $f_{HCLK} = f_{MSI} = 2.1 \text{ MHz}$ | 7.3 | 13 | |
| | | $f_{HCLK} = f_{MSI} = 1.05 \text{ MHz}$ | 13 | 23 | |
| | | $f_{HCLK} = f_{MSI} = 524 \text{ kHz}$ | 28 | 38 | |
| | | $f_{HCLK} = f_{MSI} = 262 \text{ kHz}$ | 51 | 65 | |
| | | $f_{HCLK} = f_{MSI} = 131 \text{ kHz}$ | 100 | 120 | |
| | | $f_{HCLK} = \text{MSI} = 65 \text{ kHz}$ | 190 | 260 | |
| | | $f_{HCLK} = f_{HSI} = 16 \text{ MHz}$ | 4.9 | 7 | |
| | | $f_{HCLK} = f_{HSI}/4 = 4 \text{ MHz}$ | 8.0 | 11 | |
| | | Wakeup from Stop mode, regulator in low-power mode, code running from RAM | $f_{HCLK} = f_{HSI} = 16 \text{ MHz}$ | 4.9 | |
| $f_{HCLK} = f_{HSI}/4 = 4 \text{ MHz}$ | 7.9 | | 10 | | |
| $f_{HCLK} = f_{MSI} = 4.2 \text{ MHz}$ | 4.7 | | 8 | | |
| $t_{WUSTDBY}$ | Wakeup from Standby mode FWU bit = 1 | $f_{HCLK} = \text{MSI} = 2.1 \text{ MHz}$ | 65 | 130 | ms |
| | Wakeup from Standby mode FWU bit = 0 | $f_{HCLK} = \text{MSI} = 2.1 \text{ MHz}$ | 2.2 | 3 | |
| $t_{WUUSART}$ $t_{WULPUART}$ | Wakeup time required to calculate the maximum USART/LPUART baudrate while waking up from Stop mode using the USART/LPUART | Stop mode, regulator in Run mode | t_{WUSTOP} | | μs |

6.3.6 External clock source characteristics

High-speed external user clock generated from an external source

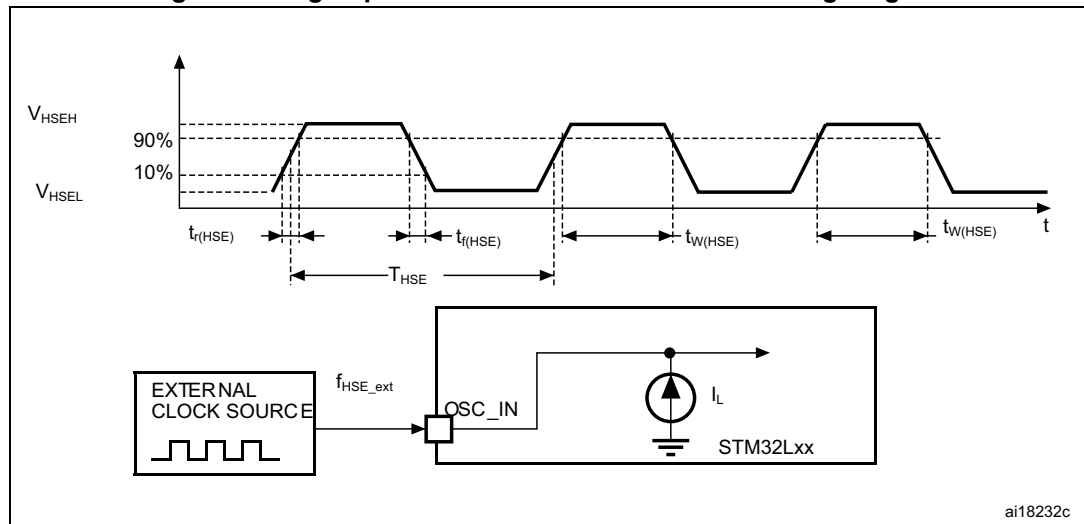
In bypass mode the HSE oscillator is switched off and the input pin is a standard GPIO. The external clock signal has to respect the I/O characteristics in [Section 6.3.12](#). However, the recommended clock input waveform is shown in [Figure 16](#).

Table 40. High-speed external user clock characteristics⁽¹⁾

| Symbol | Parameter | Conditions | Min | Typ | Max | Unit |
|------------------------------|--------------------------------------|--------------------------|----------------------------------|----------|-----|---------|
| f_{HSE_ext} | User external clock source frequency | CSS is ON or PLL is used | 1 | 8 | 32 | MHz |
| | | CSS is OFF, PLL not used | 0 | 8 | 32 | MHz |
| V_{HSEH} | OSC_IN input pin high level voltage | - | - | V_{DD} | - | V |
| V_{HSEL} | OSC_IN input pin low level voltage | | - | V_{SS} | - | |
| $t_{w(HSE)}$ $t_{w(HSE)}$ | OSC_IN high or low time | | 12 | - | - | ns |
| $t_{r(HSE)}$ $t_{f(HSE)}$ | OSC_IN rise or fall time | | - | - | 20 | |
| $C_{in(HSE)}$ | OSC_IN input capacitance | | - | 2.6 | - | pF |
| $DuCy_{(HSE)}$ | Duty cycle | | 45 | - | 55 | % |
| I_L | OSC_IN Input leakage current | | $V_{SS} \leq V_{IN} \leq V_{DD}$ | - | - | ± 1 |

1. Guaranteed by design.

Figure 16. High-speed external clock source AC timing diagram



Low-speed external user clock generated from an external source

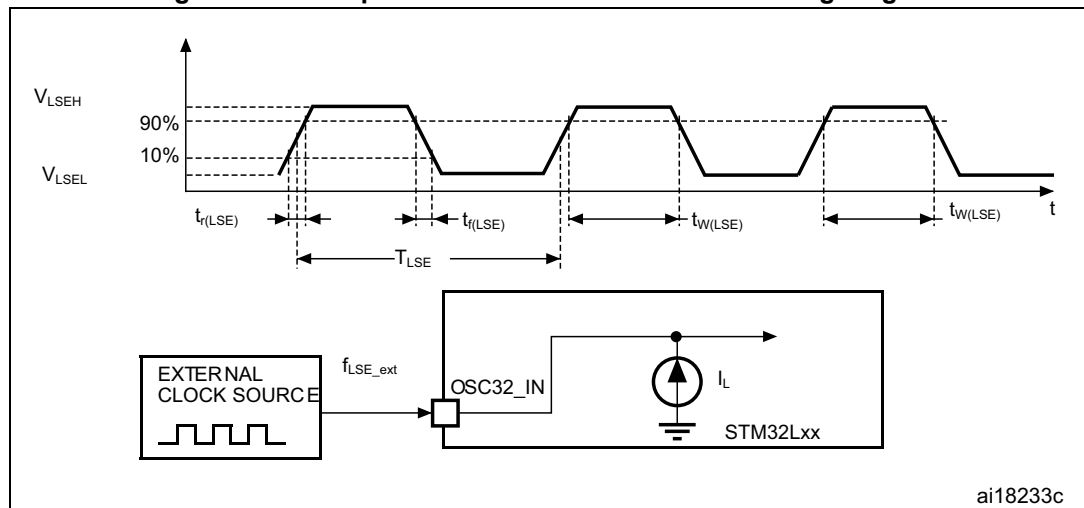
The characteristics given in the following table result from tests performed using a low-speed external clock source, and under ambient temperature and supply voltage conditions summarized in [Table 23](#).

Table 41. Low-speed external user clock characteristics⁽¹⁾

| Symbol | Parameter | Conditions | Min | Typ | Max | Unit |
|------------------------------|---------------------------------------|----------------------------------|-----|----------|---------|---------|
| f_{LSE_ext} | User external clock source frequency | | 1 | 32.768 | 1000 | kHz |
| V_{LSEH} | OSC32_IN input pin high level voltage | - | - | V_{DD} | - | V |
| V_{LSEL} | OSC32_IN input pin low level voltage | | - | V_{SS} | - | |
| $t_{w(LSE)}$ $t_{w(LSE)}$ | OSC32_IN high or low time | | 465 | - | - | ns |
| $t_{r(LSE)}$ $t_{r(LSE)}$ | OSC32_IN rise or fall time | - | - | 10 | | |
| $C_{IN(LSE)}$ | OSC32_IN input capacitance | - | - | 0.6 | - | pF |
| $DuCy_{(LSE)}$ | Duty cycle | - | 45 | - | 55 | % |
| I_L | OSC32_IN Input leakage current | $V_{SS} \leq V_{IN} \leq V_{DD}$ | - | - | ± 1 | μA |

1. Guaranteed by design, not tested in production

Figure 17. Low-speed external clock source AC timing diagram



High-speed external clock generated from a crystal/ceramic resonator

The high-speed external (HSE) clock can be supplied with a 1 to 25 MHz crystal/ceramic resonator oscillator. All the information given in this paragraph are based on characterization results obtained with typical external components specified in [Table 42](#). In the application, the resonator and the load capacitors have to be placed as close as possible to the oscillator pins in order to minimize output distortion and startup stabilization time. Refer to the crystal resonator manufacturer for more details on the resonator characteristics (frequency, package, accuracy).

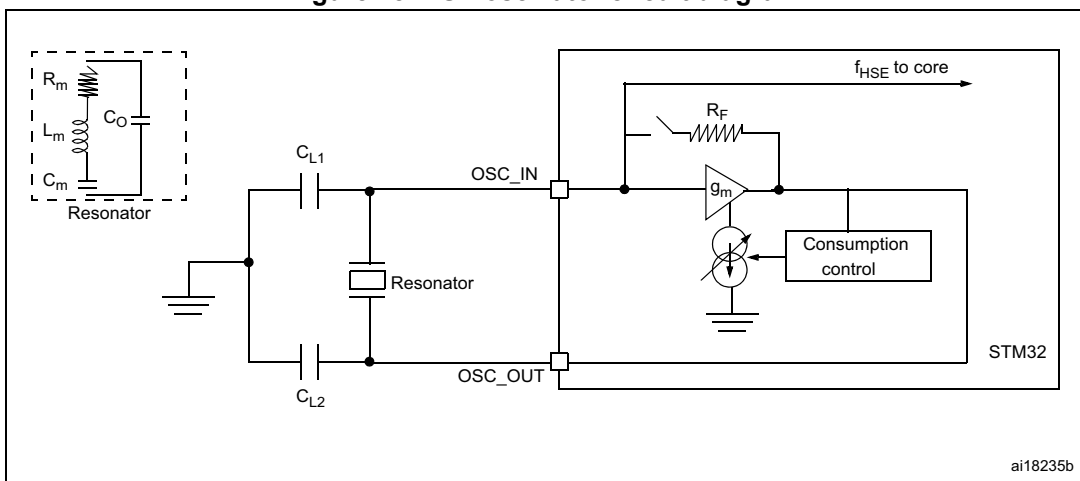
Table 42. HSE oscillator characteristics⁽¹⁾

| Symbol | Parameter | Conditions | Min | Typ | Max | Unit |
|---------------------|---|------------------------|-----|-----|-----|------------|
| f_{OSC_IN} | Oscillator frequency | - | 1 | | 25 | MHz |
| R_F | Feedback resistor | - | - | 200 | - | k Ω |
| G_m | Maximum critical crystal transconductance | Startup | - | - | 700 | $\mu A/V$ |
| $t_{SU(HSE)}^{(2)}$ | Startup time | V_{DD} is stabilized | - | 2 | - | ms |

1. Guaranteed by design.
2. Guaranteed by characterization results. $t_{SU(HSE)}$ is the startup time measured from the moment it is enabled (by software) to a stabilized 8 MHz oscillation is reached. This value is measured for a standard crystal resonator and it can vary significantly with the crystal manufacturer.

For C_{L1} and C_{L2} , it is recommended to use high-quality external ceramic capacitors in the 5 pF to 25 pF range (typ.), designed for high-frequency applications, and selected to match the requirements of the crystal or resonator (see [Figure 18](#)). C_{L1} and C_{L2} are usually the same size. The crystal manufacturer typically specifies a load capacitance which is the series combination of C_{L1} and C_{L2} . PCB and MCU pin capacitance must be included (10 pF can be used as a rough estimate of the combined pin and board capacitance) when sizing C_{L1} and C_{L2} . Refer to the application note AN2867 "Oscillator design guide for ST microcontrollers" available from the ST website www.st.com.

Figure 18. HSE oscillator circuit diagram



Low-speed external clock generated from a crystal/ceramic resonator

The low-speed external (LSE) clock can be supplied with a 32.768 kHz crystal/ceramic resonator oscillator. All the information given in this paragraph are based on characterization results obtained with typical external components specified in [Table 43](#). In the application, the resonator and the load capacitors have to be placed as close as possible to the oscillator pins in order to minimize output distortion and startup stabilization time. Refer to the crystal resonator manufacturer for more details on the resonator characteristics (frequency, package, accuracy).

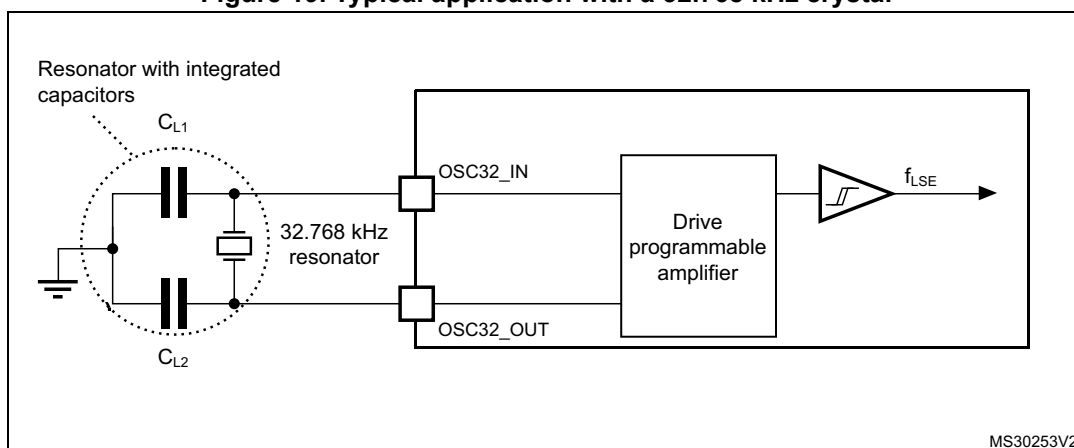
Table 43. LSE oscillator characteristics⁽¹⁾

| Symbol | Parameter | Conditions ⁽²⁾ | Min ⁽²⁾ | Typ | Max | Unit |
|------------------------------|---|--|--------------------|--------|------|-----------|
| f_{LSE} | LSE oscillator frequency | | - | 32.768 | - | kHz |
| G_m | Maximum critical crystal transconductance | LSEDRV[1:0]=00 lower driving capability | - | - | 0.5 | $\mu A/V$ |
| | | LSEDRV[1:0]= 01 medium low driving capability | - | - | 0.75 | |
| | | LSEDRV[1:0] = 10 medium high driving capability | - | - | 1.7 | |
| | | LSEDRV[1:0]=11 higher driving capability | - | - | 2.7 | |
| $t_{SU(LSE)}$ ⁽³⁾ | Startup time | V_{DD} is stabilized | - | 2 | - | s |

1. Guaranteed by design.
2. Refer to the note and caution paragraphs below the table, and to the application note AN2867 "Oscillator design guide for ST microcontrollers".
3. Guaranteed by characterization results. $t_{SU(LSE)}$ is the startup time measured from the moment it is enabled (by software) to a stabilized 32.768 kHz oscillation is reached. This value is measured for a standard crystal resonator and it can vary significantly with the crystal manufacturer. To increase speed, address a lower-drive quartz with a high- driver mode.

Note: For information on selecting the crystal, refer to the application note AN2867 "Oscillator design guide for ST microcontrollers" available from the ST website www.st.com.

Figure 19. Typical application with a 32.768 kHz crystal



Note: An external resistor is not required between $OSC32_IN$ and $OSC32_OUT$ and it is forbidden to add one.

6.3.7 Internal clock source characteristics

The parameters given in [Table 44](#) are derived from tests performed under ambient temperature and V_{DD} supply voltage conditions summarized in [Table 23](#).

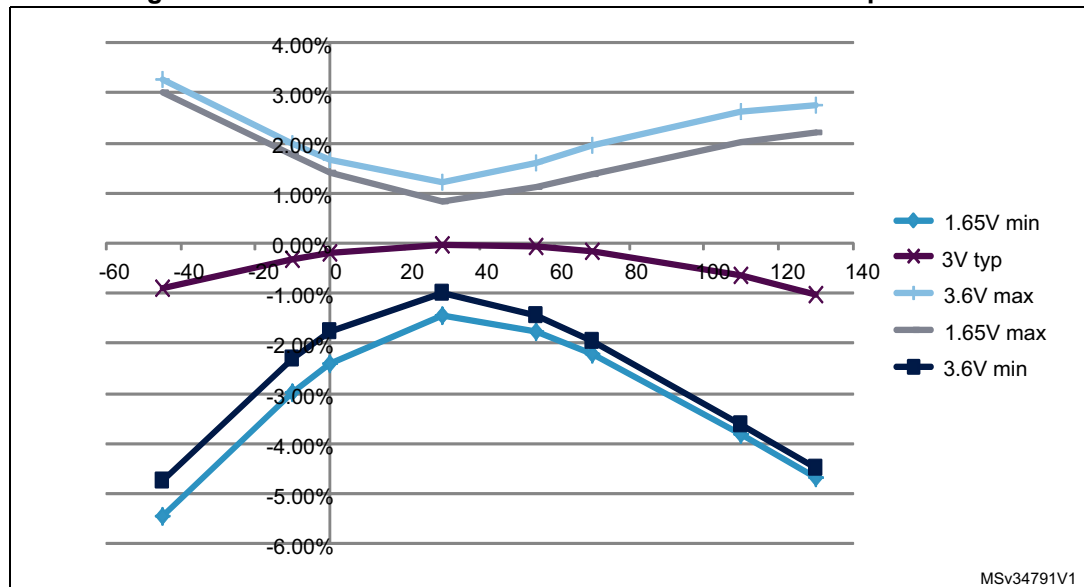
High-speed internal 16 MHz (HSI16) RC oscillator

Table 44. 16 MHz HSI16 oscillator characteristics

| Symbol | Parameter | Conditions | Min | Typ | Max | Unit |
|-----------------------|---|--|-------------------|-----------|------------------|---------------|
| f_{HSI16} | Frequency | $V_{DD} = 3.0\text{ V}$ | - | 16 | - | MHz |
| $TRIM^{(1)(2)}$ | HSI16 user-trimmed resolution | Trimming code is not a multiple of 16 | - | ± 0.4 | 0.7 | % |
| | | Trimming code is a multiple of 16 | - | - | ± 1.5 | % |
| $ACC_{HSI16}^{(2)}$ | Accuracy of the factory-calibrated HSI16 oscillator | $V_{DDA} = 3.0\text{ V}, T_A = 25\text{ }^\circ\text{C}$ | -1 ⁽³⁾ | - | 1 ⁽³⁾ | % |
| | | $V_{DDA} = 3.0\text{ V}, T_A = 0\text{ to }55\text{ }^\circ\text{C}$ | -1.5 | - | 1.5 | % |
| | | $V_{DDA} = 3.0\text{ V}, T_A = -10\text{ to }70\text{ }^\circ\text{C}$ | -2 | - | 2 | % |
| | | $V_{DDA} = 3.0\text{ V}, T_A = -10\text{ to }85\text{ }^\circ\text{C}$ | -2.5 | - | 2 | % |
| | | $V_{DDA} = 3.0\text{ V}, T_A = -10\text{ to }105\text{ }^\circ\text{C}$ | -4 | - | 2 | % |
| | | $V_{DDA} = 1.65\text{ V to }3.6\text{ V}, T_A = -40\text{ to }125\text{ }^\circ\text{C}$ | -5.45 | - | 3.25 | % |
| $t_{SU(HSI16)}^{(2)}$ | HSI16 oscillator startup time | - | - | 3.7 | 6 | μs |
| $I_{DD(HSI16)}^{(2)}$ | HSI16 oscillator power consumption | - | - | 100 | 140 | μA |

1. The trimming step differs depending on the trimming code. It is usually negative on the codes which are multiples of 16 (0x00, 0x10, 0x20, 0x30...0xE0).
2. Guaranteed by characterization results.
3. Guaranteed by test in production.

Figure 20. HSI16 minimum and maximum value versus temperature



MSv34791V1

High-speed internal 48 MHz (HSI48) RC oscillator

Table 45. HSI48 oscillator characteristics⁽¹⁾

| Symbol | Parameter | Conditions | Min | Typ | Max | Unit |
|--------------------------------|--|----------------------------------|---------------------|------|--------------------|---------------|
| f_{HSI48} | Frequency | | - | 48 | - | MHz |
| TRIM | HSI48 user-trimming step | | 0.09 ⁽²⁾ | 0.14 | 0.2 ⁽²⁾ | % |
| $\text{DuCy}_{(\text{HSI48})}$ | Duty cycle | | 45 ⁽²⁾ | - | 55 ⁽²⁾ | % |
| $\text{ACC}_{\text{HSI48}}$ | Accuracy of the HSI48 oscillator (factory calibrated before CRS calibration) | $T_A = 25\text{ }^\circ\text{C}$ | -4 ⁽³⁾ | - | 4 ⁽³⁾ | % |
| $t_{\text{su}(\text{HSI48})}$ | HSI48 oscillator startup time | | - | - | 6 ⁽²⁾ | μs |
| $I_{\text{DDA}(\text{HSI48})}$ | HSI48 oscillator power consumption | | - | 330 | 380 ⁽²⁾ | μA |

- $V_{\text{DDA}} = 3.3\text{ V}$, $T_A = -40$ to $125\text{ }^\circ\text{C}$ unless otherwise specified.
- Guaranteed by design.
- Guaranteed by characterization results.

Low-speed internal (LSI) RC oscillator

Table 46. LSI oscillator characteristics

| Symbol | Parameter | Min | Typ | Max | Unit |
|-----------------------------------|--|-----|-----|-----|---------------|
| $f_{\text{LSI}}^{(1)}$ | LSI frequency | 26 | 38 | 56 | kHz |
| $D_{\text{LSI}}^{(2)}$ | LSI oscillator frequency drift $0\text{ }^\circ\text{C} \leq T_A \leq 85\text{ }^\circ\text{C}$ | -10 | - | 4 | % |
| $t_{\text{su}(\text{LSI})}^{(3)}$ | LSI oscillator startup time | - | - | 200 | μs |
| $I_{\text{DD}(\text{LSI})}^{(3)}$ | LSI oscillator power consumption | - | 400 | 510 | nA |

- Guaranteed by test in production.
- This is a deviation for an individual part, once the initial frequency has been measured.
- Guaranteed by design.

Multi-speed internal (MSI) RC oscillator

Table 47. MSI oscillator characteristics

| Symbol | Parameter | Condition | Typ | Max | Unit |
|------------------|---|-------------|------|-----|------|
| f_{MSI} | Frequency after factory calibration, done at $V_{\text{DD}} = 3.3\text{ V}$ and $T_A = 25\text{ }^\circ\text{C}$ | MSI range 0 | 65.5 | - | kHz |
| | | MSI range 1 | 131 | - | |
| | | MSI range 2 | 262 | - | |
| | | MSI range 3 | 524 | - | MHz |
| | | MSI range 4 | 1.05 | - | |
| | | MSI range 5 | 2.1 | - | |
| | | MSI range 6 | 4.2 | - | |

Table 47. MSI oscillator characteristics (continued)

| Symbol | Parameter | Condition | Typ | Max | Unit | | | |
|---------------------------------------|--|--|----------------------------------|-------------|------|-----|-------|----|
| ACC _{MSI} | Frequency error after factory calibration | - | ±0.5 | - | % | | | |
| D _{TEMP(MSI)} ⁽¹⁾ | MSI oscillator frequency drift 0 °C ≤ T _A ≤ 85 °C | - | ±3 | - | % | | | |
| | | MSI range 0 | - 8.9 | +7.0 | | | | |
| | MSI range 1 | - 7.1 | +5.0 | | | | | |
| | MSI range 2 | - 6.4 | +4.0 | | | | | |
| | MSI range 3 | - 6.2 | +3.0 | | | | | |
| | MSI range 4 | - 5.2 | +3.0 | | | | | |
| | MSI range 5 | - 4.8 | +2.0 | | | | | |
| D _{TEMP(MSI)} ⁽¹⁾ | MSI oscillator frequency drift V _{DD} = 3.3 V, - 40 °C ≤ T _A ≤ 110 °C | MSI range 6 | - 4.7 | +2.0 | % | | | |
| | | MSI range 0 | - | - | | 2.5 | % / V | |
| | | MSI range 1 | 0.75 | - | | | | |
| | | MSI range 2 | 1 | - | | | | |
| | | I _{DD(MSI)} ⁽²⁾ | MSI oscillator power consumption | MSI range 3 | | 1.5 | - | µA |
| | | | | MSI range 4 | | 2.5 | - | |
| | | | | MSI range 5 | | 4.5 | - | |
| MSI range 6 | 8 | | | - | | | | |
| MSI range 0 | 15 | | | - | | | | |
| MSI range 1 | 30 | | | - | | | | |
| t _{SU(MSI)} | MSI oscillator startup time | MSI range 2 | 20 | - | µs | | | |
| | | MSI range 3 | 15 | - | | | | |
| | | MSI range 4 | 10 | - | | | | |
| | | MSI range 5 | 6 | - | | | | |
| | | MSI range 6, Voltage range 1 and 2 | 5 | - | | | | |
| | | MSI range 6, Voltage range 3 | 3.5 | - | | | | |
| | | MSI range 6, Voltage range 3 | 5 | - | | | | |

Table 47. MSI oscillator characteristics (continued)

| Symbol | Parameter | Condition | Typ | Max | Unit |
|------------------------------|------------------------------------|--|-----|-----|---------------|
| $t_{\text{STAB(MSI)}}^{(2)}$ | MSI oscillator stabilization time | MSI range 0 | - | 40 | μs |
| | | MSI range 1 | - | 20 | |
| | | MSI range 2 | - | 10 | |
| | | MSI range 3 | - | 4 | |
| | | MSI range 4 | - | 2.5 | |
| | | MSI range 5 | - | 2 | |
| | | MSI range 6, Voltage range 1 and 2 | - | 2 | |
| $f_{\text{OVER(MSI)}}$ | MSI oscillator frequency overshoot | Any range to range 5 | - | 4 | MHz |
| | | Any range to range 6 | - | 6 | |

1. This is a deviation for an individual part, once the initial frequency has been measured.
2. Guaranteed by characterization results.

6.3.8 PLL characteristics

The parameters given in [Table 48](#) are derived from tests performed under ambient temperature and V_{DD} supply voltage conditions summarized in [Table 23](#).

Table 48. PLL characteristics

| Symbol | Parameter | Value | | | Unit |
|-----------------------|---|-------|-----|--------------------|---------------|
| | | Min | Typ | Max ⁽¹⁾ | |
| $f_{\text{PLL_IN}}$ | PLL input clock ⁽²⁾ | 2 | - | 24 | MHz |
| | PLL input clock duty cycle | 45 | - | 55 | % |
| $f_{\text{PLL_OUT}}$ | PLL output clock | 2 | - | 32 | MHz |
| t_{LOCK} | PLL input = 16 MHz PLL VCO = 96 MHz | - | 115 | 160 | μs |
| Jitter | Cycle-to-cycle jitter | - | | ± 600 | ps |
| $I_{\text{DDA(PLL)}}$ | Current consumption on V_{DDA} | - | 220 | 450 | μA |
| $I_{\text{DD(PLL)}}$ | Current consumption on V_{DD} | - | 120 | 150 | |

1. Guaranteed by characterization results.
2. Take care of using the appropriate multiplier factors so as to have PLL input clock values compatible with the range defined by $f_{\text{PLL_OUT}}$.

6.3.9 Memory characteristics

RAM memory

Table 49. RAM and hardware registers

| Symbol | Parameter | Conditions | Min | Typ | Max | Unit |
|--------|------------------------------------|----------------------|------|-----|-----|------|
| VRM | Data retention mode ⁽¹⁾ | STOP mode (or RESET) | 1.65 | - | - | V |

1. Minimum supply voltage without losing data stored in RAM (in Stop mode or under Reset) or in hardware registers (only in Stop mode).

Flash memory and data EEPROM

Table 50. Flash memory and data EEPROM characteristics

| Symbol | Parameter | Conditions | Min | Typ | Max ⁽¹⁾ | Unit |
|-------------------|--|---|------|------|--------------------|------|
| V _{DD} | Operating voltage Read / Write / Erase | - | 1.65 | - | 3.6 | V |
| t _{prog} | Programming time for word or half-page | Erasing | - | 3.28 | 3.94 | ms |
| | | Programming | - | 3.28 | 3.94 | |
| I _{DD} | Average current during the whole programming / erase operation | T _A = 25 °C, V _{DD} = 3.6 V | - | 500 | 700 | µA |
| | Maximum current (peak) during the whole programming / erase operation | | - | 1.5 | 2.5 | mA |

1. Guaranteed by design.

Table 51. Flash memory and data EEPROM endurance and retention

| Symbol | Parameter | Conditions | Value | Unit |
|---------------------------------|---|----------------------------------|--------------------|---------|
| | | | Min ⁽¹⁾ | |
| N _{CYC} ⁽²⁾ | Cycling (erase / write) Program memory | T _A = -40°C to 105 °C | 10 | kcycles |
| | Cycling (erase / write) EEPROM data memory | | 100 | |
| | Cycling (erase / write) Program memory | T _A = -40°C to 125 °C | 0.2 | |
| | Cycling (erase / write) EEPROM data memory | | 2 | |

Table 51. Flash memory and data EEPROM endurance and retention (continued)

| Symbol | Parameter | Conditions | Value | Unit |
|---------------------------------|--|----------------------------|--------------------|-------|
| | | | Min ⁽¹⁾ | |
| t _{RET} ⁽²⁾ | Data retention (program memory) after 10 kcycles at T _A = 85 °C | T _{RET} = +85 °C | 30 | years |
| | Data retention (EEPROM data memory) after 100 kcycles at T _A = 85 °C | | 30 | |
| | Data retention (program memory) after 10 kcycles at T _A = 105 °C | T _{RET} = +105 °C | 10 | |
| | Data retention (EEPROM data memory) after 100 kcycles at T _A = 105 °C | | | |
| | Data retention (program memory) after 200 cycles at T _A = 125 °C | T _{RET} = +125 °C | | |
| | Data retention (EEPROM data memory) after 2 kcycles at T _A = 125 °C | | | |

1. Guaranteed by characterization results.
2. Characterization is done according to JEDEC JESD22-A117.

6.3.10 EMC characteristics

Susceptibility tests are performed on a sample basis during device characterization.

Functional EMS (electromagnetic susceptibility)

While a simple application is executed on the device (toggling 2 LEDs through I/O ports), the device is stressed by two electromagnetic events until a failure occurs. The failure is indicated by the LEDs:

- **Electrostatic discharge (ESD)** (positive and negative) is applied to all device pins until a functional disturbance occurs. This test is compliant with the IEC 61000-4-2 standard.
- **FTB:** A Burst of Fast Transient voltage (positive and negative) is applied to V_{DD} and V_{SS} through a 100 pF capacitor, until a functional disturbance occurs. This test is compliant with the IEC 61000-4-4 standard.

A device reset allows normal operations to be resumed.

The test results are given in [Table 52](#). They are based on the EMS levels and classes defined in the application note AN1709 “EMC design guide for STM8, STM32 and legacy MCUs”.

Table 52. EMS characteristics

| Symbol | Parameter | Conditions | Level/Class |
|-------------------|---|--|-------------|
| V _{FESD} | Voltage limits to be applied on any I/O pin to induce a functional disturbance | V _{DD} = 3.3 V, T _A = +25 °C, f _{HCLK} = 32 MHz conforms to IEC 61000-4-2 | 3B |
| V _{EFTB} | Fast transient voltage burst limits to be applied through 100 pF on V _{DD} and V _{SS} pins to induce a functional disturbance | V _{DD} = 3.3 V, T _A = +25 °C, f _{HCLK} = 32 MHz conforms to IEC 61000-4-4 | 4A |

Designing hardened software to avoid noise problems

EMC characterization and optimization are performed at component level with a typical application environment and simplified MCU software. It should be noted that good EMC performance is highly dependent on the user application and the software in particular.

Therefore it is recommended that the user applies EMC software optimization and prequalification tests in relation with the EMC level requested for his application.

Software recommendations

The software flowchart must include the management of runaway conditions such as:

- Corrupted program counter
- Unexpected reset
- Critical data corruption (control registers...)

Prequalification trials

Most of the common failures (unexpected reset and program counter corruption) can be reproduced by manually forcing a low state on the NRST pin or the oscillator pins for 1 second.

To complete these trials, ESD stress can be applied directly on the device, over the range of specification values. When unexpected behavior is detected, the software can be hardened to prevent unrecoverable errors occurring (see application note AN1015).

Electromagnetic Interference (EMI)

The electromagnetic field emitted by the device are monitored while a simple application is executed (toggling 2 LEDs through the I/O ports). This emission test is compliant with IEC 61967-2 standard which specifies the test board and the pin loading.

Table 53. EMI characteristics for $f_{HCLK} = 32\text{ MHz}$

| Symbol | Parameter | Conditions | Monitored frequency band | Value | Unit |
|-----------|----------------------|--|--------------------------|-------|------------|
| S_{EMI} | Peak ⁽¹⁾ | $V_{DD} = 3.6\text{ V}$, $T_A = 25\text{ °C}$, compliant with IEC 61967-2 | 0.1 to 30 MHz | -7 | dB μ V |
| | | | 30 to 130 MHz | 14 | |
| | | | 130 MHz to 1 GHz | 9 | |
| | Level ⁽²⁾ | | 0.1 MHz to 1 GHz | 2 | - |

1. Refer to the *EMI radiated test* section of the application note AN1709 “EMC design guide for STM8, STM32 and legacy MCUs”.
2. Refer to the *EMI level classification* section of the application note AN1709 “EMC design guide for STM8, STM32 and legacy MCUs”.

6.3.11 Electrical sensitivity characteristics

Based on three different tests (ESD, LU) using specific measurement methods, the device is stressed in order to determine its performance in terms of electrical sensitivity.

Electrostatic discharge (ESD)

Electrostatic discharges (a positive then a negative pulse separated by 1 second) are applied to the pins of each sample according to each pin combination. The sample size depends on the number of supply pins in the device (3 parts × (n+1) supply pins). This test conforms to the ANSI/JEDEC standard.

Table 54. ESD absolute maximum ratings

| Symbol | Ratings | Conditions | Class | Maximum value ⁽¹⁾ | Unit |
|----------------|---|--|-------|------------------------------|------|
| $V_{ESD(HBM)}$ | Electrostatic discharge voltage (human body model) | $T_A = +25\text{ °C}$, conforming to ANSI/JEDEC JS-001 | 2 | 2000 | V |
| $V_{ESD(CDM)}$ | Electrostatic discharge voltage (charge device model) | $T_A = +25\text{ °C}$, conforming to ANSI/ESD STM5.3.1. | C4 | 500 | |

1. Guaranteed by characterization results.

Static latch-up

Two complementary static tests are required on six parts to assess the latch-up performance:

- A supply overvoltage is applied to each power supply pin
- A current injection is applied to each input, output and configurable I/O pin

These tests are compliant with EIA/JESD 78A IC latch-up standard.

Table 55. Electrical sensitivities

| Symbol | Parameter | Conditions | Class |
|--------|-----------------------|--|------------|
| LU | Static latch-up class | $T_A = +125\text{ °C}$ conforming to JESD78A | II level A |

6.3.12 I/O current injection characteristics

As a general rule, current injection to the I/O pins, due to external voltage below V_{SS} or above V_{DD} (for standard pins) should be avoided during normal product operation. However, in order to give an indication of the robustness of the microcontroller in cases when abnormal injection accidentally happens, susceptibility tests are performed on a sample basis during device characterization.

Functional susceptibility to I/O current injection

While a simple application is executed on the device, the device is stressed by injecting current into the I/O pins programmed in floating input mode. While current is injected into the I/O pin, one at a time, the device is checked for functional failures.

The failure is indicated by an out of range parameter: ADC error above a certain limit (higher than 5 LSB TUE), out of conventional limits of induced leakage current on adjacent pins (out of $-5 \mu A/+0 \mu A$ range), or other functional failure (for example reset occurrence oscillator frequency deviation).

The test results are given in the [Table 56](#).

Table 56. I/O current injection susceptibility

| Symbol | Description | Functional susceptibility | | Unit |
|-----------|--|---------------------------|--------------------|------|
| | | Negative injection | Positive injection | |
| I_{INJ} | Injected current on BOOT0 | -0 | NA ⁽¹⁾ | mA |
| | Injected current on PA0, PA4, PA5, PC15, PH0 and PH1 | -5 | 0 | |
| | Injected current on any other FT, FTf pins | -5 ⁽²⁾ | NA ⁽¹⁾ | |
| | Injected current on any other pins | -5 ⁽²⁾ | +5 | |

1. Current injection is not possible.
2. It is recommended to add a Schottky diode (pin to ground) to analog pins which may potentially inject negative currents.

6.3.13 I/O port characteristics

General input/output characteristics

Unless otherwise specified, the parameters given in [Table 57](#) are derived from tests performed under the conditions summarized in [Table 23](#). All I/Os are CMOS and TTL compliant.

Note: For information on GPIO configuration, refer to application note AN4899 “STM32 GPIO configuration for hardware settings and low-power consumption” available from the ST website www.st.com. In addition, it is recommended to use a GPIO low-level voltage $\leq 0.1 \times V_{DD}$ and a GPIO high-level voltage $\geq 0.9 \times V_{DD}$, in order to have enough margin regarding the application transient or ripple on V_{DD} supply.

Table 57. I/O static characteristics

| Symbol | Parameter | Conditions | Min | Typ | Max | Unit |
|-----------|--|--|--------------|---------------------|--------------------|------------|
| V_{IL} | Input low level voltage | TC, FT, FTf, RST I/Os | - | - | $0.3V_{DD}$ | V |
| | | BOOT0 pin | - | - | $0.14V_{DD}^{(1)}$ | |
| V_{IH} | Input high level voltage | All I/Os | $0.7 V_{DD}$ | - | - | |
| V_{hys} | I/O Schmitt trigger voltage hysteresis (2) | Standard I/Os | - | $10\% V_{DD}^{(3)}$ | - | |
| | | BOOT0 pin | - | 0.01 | - | |
| I_{ikg} | Input leakage current (4) | $V_{SS} \leq V_{IN} \leq V_{DD}$ All I/Os except for PA11, PA12, BOOT0 and FTf I/Os | - | - | ± 50 | nA |
| | | $V_{SS} \leq V_{IN} \leq V_{DD}$, PA11 and PA12 I/Os | - | - | -50/+250 | |
| | | $V_{SS} \leq V_{IN} \leq V_{DD}$ FTf I/Os | - | - | ± 100 | |
| | | $V_{DD} \leq V_{IN} \leq 5 V$ All I/Os except for PA11, PA12, BOOT0 and FTf I/Os | - | - | 200 | nA |
| | | $V_{DD} \leq V_{IN} \leq 5 V$ FTf I/Os | - | - | 500 | |
| | | $V_{DD} \leq V_{IN} \leq 5 V$ PA11, PA12 and BOOT0 | - | - | 10 | |
| R_{PU} | Weak pull-up equivalent resistor(5) | $V_{IN} = V_{SS}$ | 25 | 45 | 65 | k Ω |
| R_{PD} | Weak pull-down equivalent resistor(5) | $V_{IN} = V_{DD}$ | 25 | 45 | 65 | k Ω |
| C_{IO} | I/O pin capacitance | - | - | 5 | - | pF |

1. Guaranteed by characterization.
2. Hysteresis voltage between Schmitt trigger switching levels. Guaranteed by characterization results.
3. With a minimum of 200 mV. Guaranteed by characterization results.
4. The max. value may be exceeded if negative current is injected on adjacent pins.

- Pull-up and pull-down resistors are designed with a true resistance in series with a switchable PMOS/NMOS. This MOS/NMOS contribution to the series resistance is minimum (~10% order).

Figure 21. V_{IH}/V_{IL} versus V_{DD} (CMOS I/Os)

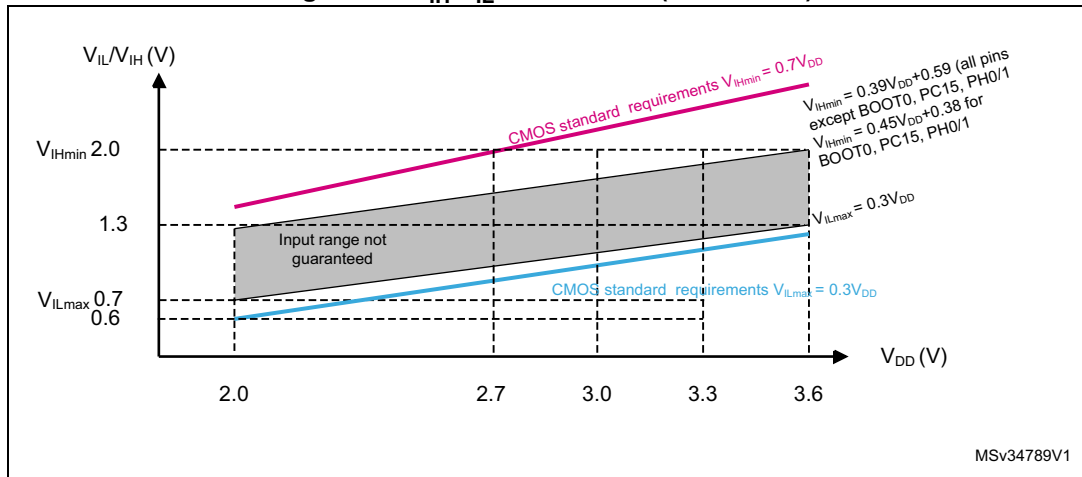
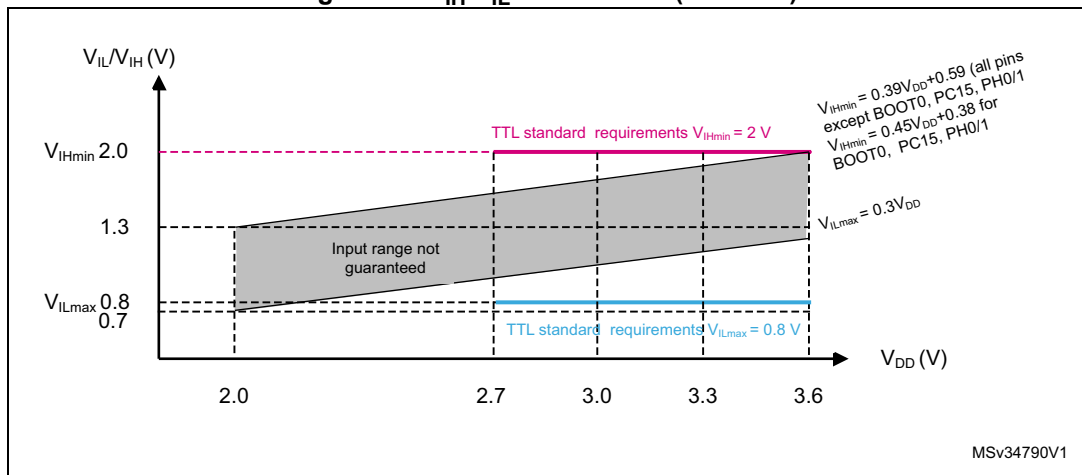


Figure 22. V_{IH}/V_{IL} versus V_{DD} (TTL I/Os)



Output driving current

The GPIOs (general purpose input/outputs) can sink or source up to ± 8 mA, and sink or source up to ± 15 mA with the non-standard V_{OL}/V_{OH} specifications given in [Table 58](#).

In the user application, the number of I/O pins which can drive current must be limited to respect the absolute maximum rating specified in [Section 6.2](#):

- The sum of the currents sourced by all the I/Os on V_{DD} , plus the maximum Run consumption of the MCU sourced on V_{DD} , cannot exceed the absolute maximum rating $I_{VDD(\Sigma)}$ (see [Table 21](#)).
- The sum of the currents sunk by all the I/Os on V_{SS} plus the maximum Run consumption of the MCU sunk on V_{SS} cannot exceed the absolute maximum rating $I_{VSS(\Sigma)}$ (see [Table 21](#)).

Output voltage levels

Unless otherwise specified, the parameters given in [Table 58](#) are derived from tests performed under ambient temperature and V_{DD} supply voltage conditions summarized in [Table 23](#). All I/Os are CMOS and TTL compliant.

Table 58. Output voltage characteristics

| Symbol | Parameter | Conditions | Min | Max | Unit |
|----------------------|---|--|---------------|------|------|
| $V_{OL}^{(1)}$ | Output low level voltage for an I/O pin | CMOS port ⁽²⁾ , $I_{IO} = +8 \text{ mA}$ $2.7 \text{ V} \leq V_{DD} \leq 3.6 \text{ V}$ | - | 0.4 | V |
| $V_{OH}^{(3)}$ | Output high level voltage for an I/O pin | | $V_{DD}-0.4$ | - | |
| $V_{OL}^{(1)}$ | Output low level voltage for an I/O pin | TTL port ⁽²⁾ , $I_{IO} = +8 \text{ mA}$ $2.7 \text{ V} \leq V_{DD} \leq 3.6 \text{ V}$ | - | 0.4 | |
| $V_{OH}^{(3)(4)}$ | Output high level voltage for an I/O pin | TTL port ⁽²⁾ , $I_{IO} = -6 \text{ mA}$ $2.7 \text{ V} \leq V_{DD} \leq 3.6 \text{ V}$ | 2.4 | - | |
| $V_{OL}^{(1)(4)}$ | Output low level voltage for an I/O pin | $I_{IO} = +15 \text{ mA}$ $2.7 \text{ V} \leq V_{DD} \leq 3.6 \text{ V}$ | - | 1.3 | |
| $V_{OH}^{(3)(4)}$ | Output high level voltage for an I/O pin | $I_{IO} = -15 \text{ mA}$ $2.7 \text{ V} \leq V_{DD} \leq 3.6 \text{ V}$ | $V_{DD}-1.3$ | - | |
| $V_{OL}^{(1)(4)}$ | Output low level voltage for an I/O pin | $I_{IO} = +4 \text{ mA}$ $1.65 \text{ V} \leq V_{DD} < 3.6 \text{ V}$ | - | 0.45 | |
| $V_{OH}^{(3)(4)}$ | Output high level voltage for an I/O pin | $I_{IO} = -4 \text{ mA}$ $1.65 \text{ V} \leq V_{DD} \leq 3.6 \text{ V}$ | $V_{DD}-0.45$ | - | |
| $V_{OLFM+}^{(1)(4)}$ | Output low level voltage for an FTf I/O pin in Fm+ mode | $I_{IO} = 20 \text{ mA}$ $2.7 \text{ V} \leq V_{DD} \leq 3.6 \text{ V}$ | - | 0.4 | |
| | | $I_{IO} = 10 \text{ mA}$ $1.65 \text{ V} \leq V_{DD} \leq 3.6 \text{ V}$ | - | 0.4 | |

1. The I_{IO} current sunk by the device must always respect the absolute maximum rating specified in [Table 21](#). The sum of the currents sunk by all the I/Os (I/O ports and control pins) must always be respected and must not exceed $\Sigma I_{IO(PIN)}$.
2. TTL and CMOS outputs are compatible with JEDEC standards JESD36 and JESD52.
3. The I_{IO} current sourced by the device must always respect the absolute maximum rating specified in [Table 21](#). The sum of the currents sourced by all the I/Os (I/O ports and control pins) must always be respected and must not exceed $\Sigma I_{IO(PIN)}$.
4. Guaranteed by characterization results.

Input/output AC characteristics

The definition and values of input/output AC characteristics are given in [Figure 23](#) and [Table 59](#), respectively.

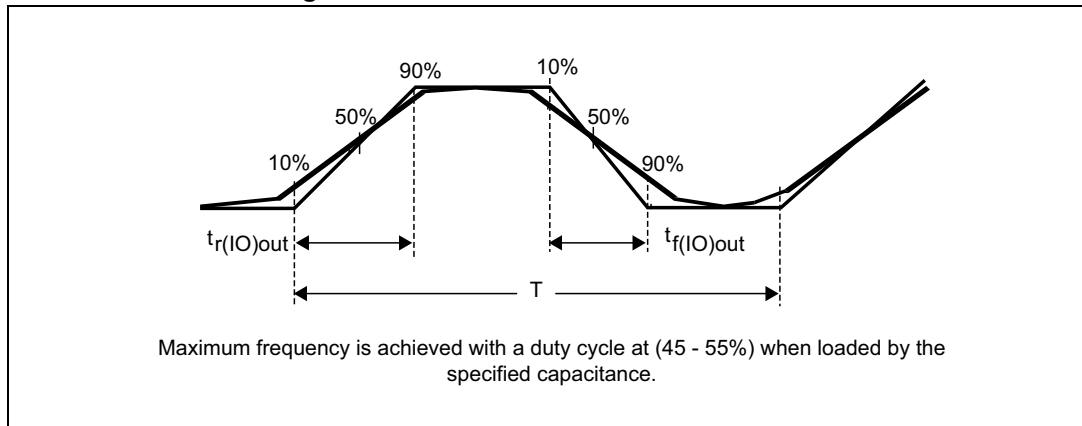
Unless otherwise specified, the parameters given in [Table 59](#) are derived from tests performed under ambient temperature and V_{DD} supply voltage conditions summarized in [Table 23](#).

Table 59. I/O AC characteristics⁽¹⁾

| OSPEEDRx[1:0] bit value ⁽¹⁾ | Symbol | Parameter | Conditions | Min | Max ⁽²⁾ | Unit |
|--|--|---|---|-----|--------------------|------|
| 00 | f _{max(IO)out} | Maximum frequency ⁽³⁾ | C _L = 50 pF, V _{DD} = 2.7 V to 3.6 V | - | 400 | kHz |
| | | | C _L = 50 pF, V _{DD} = 1.65 V to 2.7 V | - | 100 | |
| | t _{f(IO)out} t _{r(IO)out} | Output rise and fall time | C _L = 50 pF, V _{DD} = 2.7 V to 3.6 V | - | 125 | ns |
| | | | C _L = 50 pF, V _{DD} = 1.65 V to 2.7 V | - | 320 | |
| 01 | f _{max(IO)out} | Maximum frequency ⁽³⁾ | C _L = 50 pF, V _{DD} = 2.7 V to 3.6 V | - | 2 | MHz |
| | | | C _L = 50 pF, V _{DD} = 1.65 V to 2.7 V | - | 0.6 | |
| | t _{f(IO)out} t _{r(IO)out} | Output rise and fall time | C _L = 50 pF, V _{DD} = 2.7 V to 3.6 V | - | 30 | ns |
| | | | C _L = 50 pF, V _{DD} = 1.65 V to 2.7 V | - | 65 | |
| 10 | F _{max(IO)out} | Maximum frequency ⁽³⁾ | C _L = 50 pF, V _{DD} = 2.7 V to 3.6 V | - | 10 | MHz |
| | | | C _L = 50 pF, V _{DD} = 1.65 V to 2.7 V | - | 2 | |
| | t _{f(IO)out} t _{r(IO)out} | Output rise and fall time | C _L = 50 pF, V _{DD} = 2.7 V to 3.6 V | - | 13 | ns |
| | | | C _L = 50 pF, V _{DD} = 1.65 V to 2.7 V | - | 28 | |
| 11 | F _{max(IO)out} | Maximum frequency ⁽³⁾ | C _L = 30 pF, V _{DD} = 2.7 V to 3.6 V | - | 35 | MHz |
| | | | C _L = 50 pF, V _{DD} = 1.65 V to 2.7 V | - | 10 | |
| | t _{f(IO)out} t _{r(IO)out} | Output rise and fall time | C _L = 30 pF, V _{DD} = 2.7 V to 3.6 V | - | 6 | ns |
| | | | C _L = 50 pF, V _{DD} = 1.65 V to 2.7 V | - | 17 | |
| Fm+ configuration ⁽⁴⁾ | f _{max(IO)out} | Maximum frequency ⁽³⁾ | C _L = 50 pF, V _{DD} = 2.5 V to 3.6 V | - | 1 | MHz |
| | t _{f(IO)out} | Output fall time | | - | 10 | ns |
| | t _{r(IO)out} | Output rise time | | - | 30 | |
| | f _{max(IO)out} | Maximum frequency ⁽³⁾ | C _L = 50 pF, V _{DD} = 1.65 V to 3.6 V | - | 350 | kHz |
| | t _{f(IO)out} | Output fall time | | - | 15 | |
| | t _{r(IO)out} | Output rise time | | - | 60 | |
| - | t _{EXTIpw} | Pulse width of external signals detected by the EXTI controller | - | 8 | - | ns |

1. The I/O speed is configured using the OSPEEDRx[1:0] bits. Refer to the line reference manual for a description of GPIO Port configuration register.
2. Guaranteed by design.
3. The maximum frequency is defined in [Figure 23](#).
4. When Fm+ configuration is set, the I/O speed control is bypassed. Refer to the line reference manual for a detailed description of Fm+ I/O configuration.

Figure 23. I/O AC characteristics definition



6.3.14 NRST pin characteristics

The NRST pin input driver uses CMOS technology. It is connected to a permanent pull-up resistor, R_{PU} , except when it is internally driven low (see [Table 60](#)).

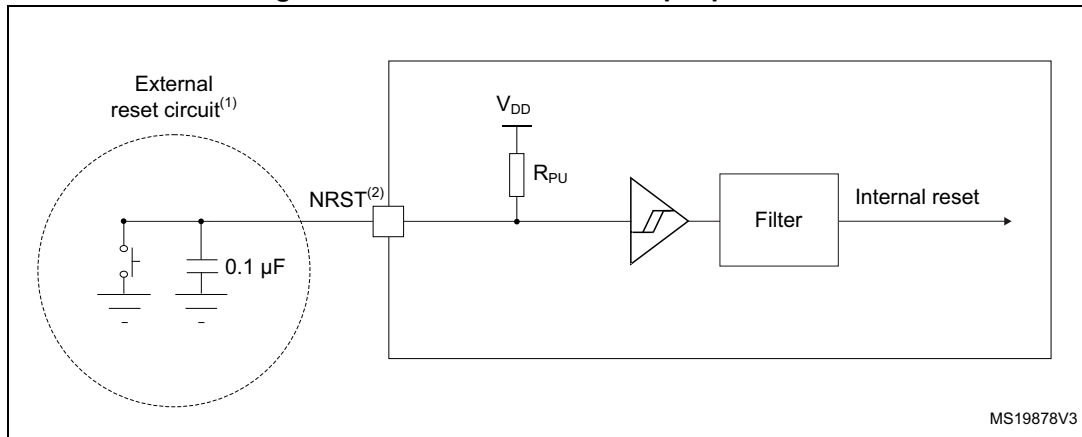
Unless otherwise specified, the parameters given in [Table 60](#) are derived from tests performed under ambient temperature and V_{DD} supply voltage conditions summarized in [Table 23](#).

Table 60. NRST pin characteristics

| Symbol | Parameter | Conditions | Min | Typ | Max | Unit |
|-----------------------|---|--|----------|--------------------|----------|------------|
| $V_{IL(NRST)}^{(1)}$ | NRST input low level voltage | - | V_{SS} | - | 0.8 | V |
| $V_{IH(NRST)}^{(1)}$ | NRST input high level voltage | - | 1.4 | - | V_{DD} | |
| $V_{OL(NRST)}^{(1)}$ | NRST output low level voltage | $I_{OL} = 2 \text{ mA}$ $2.7 \text{ V} < V_{DD} < 3.6 \text{ V}$ | - | - | 0.4 | |
| | | $I_{OL} = 1.5 \text{ mA}$ $1.65 \text{ V} < V_{DD} < 2.7 \text{ V}$ | - | - | | |
| $V_{hys(NRST)}^{(1)}$ | NRST Schmitt trigger voltage hysteresis | - | - | $10\%V_{DD}^{(2)}$ | - | mV |
| R_{PU} | Weak pull-up equivalent resistor ⁽³⁾ | $V_{IN} = V_{SS}$ | 25 | 45 | 65 | k Ω |
| $V_{F(NRST)}^{(1)}$ | NRST input filtered pulse | - | - | - | 50 | ns |
| $V_{NF(NRST)}^{(1)}$ | NRST input not filtered pulse | - | 350 | - | - | ns |

1. Guaranteed by design.
2. 200 mV minimum value
3. The pull-up is designed with a true resistance in series with a switchable PMOS. This PMOS contribution to the series resistance is around 10%.

Figure 24. Recommended NRST pin protection



1. The reset network protects the device against parasitic resets.
2. The external capacitor must be placed as close as possible to the device.
3. The user must ensure that the level on the NRST pin can go below the $V_{IL(NRST)}$ max level specified in [Table 60](#). Otherwise the reset will not be taken into account by the device.

6.3.15 12-bit ADC characteristics

Unless otherwise specified, the parameters given in [Table 61](#) are derived from tests performed under ambient temperature, f_{PCLK} frequency and V_{DDA} supply voltage conditions summarized in [Table 23: General operating conditions](#).

Note: It is recommended to perform a calibration after each power-up.

Table 61. ADC characteristics

| Symbol | Parameter | Conditions | Min | Typ | Max | Unit |
|---------------------------|--|---------------------------------------|---------------------|-----|------------|-------------|
| V_{DDA} | Analog supply voltage for ADC ON | Fast channel | 1.65 | - | 3.6 | V |
| | | Standard channel | 1.75 ⁽¹⁾ | - | 3.6 | |
| V_{REF+} | Positive reference voltage | - | 1.65 | | V_{DDA} | V |
| $I_{DDA(ADC)}$ | Current consumption of the ADC on V_{DDA} and V_{REF+} | 1.14 Msps | - | 200 | - | μA |
| | | 10 ksps | - | 40 | - | |
| | Current consumption of the ADC on V_{DD} ⁽²⁾ | 1.14 Msps | - | 70 | - | |
| | | 10 ksps | - | 1 | - | |
| f_{ADC} | ADC clock frequency | Voltage scaling Range 1 | 0.14 | - | 16 | MHz |
| | | Voltage scaling Range 2 | 0.14 | - | 8 | |
| | | Voltage scaling Range 3 | 0.14 | - | 4 | |
| f_S ⁽³⁾ | Sampling rate | 12-bit resolution | 0.01 | - | 1.14 | MHz |
| f_{TRIG} ⁽³⁾ | External trigger frequency | $f_{ADC} = 16$ MHz, 12-bit resolution | - | - | 941 | kHz |
| | | - | - | - | 17 | $1/f_{ADC}$ |
| V_{AIN} | Conversion voltage range | - | 0 | - | V_{REF+} | V |

Table 61. ADC characteristics (continued)

| Symbol | Parameter | Conditions | Min | Typ | Max | Unit |
|------------------------|---|---|--|-----|--------------------------------------|------------------|
| $R_{AIN}^{(3)}$ | External input impedance | See Equation 1 and Table 62 for details | - | - | 50 | k Ω |
| $R_{ADC}^{(3)(4)}$ | Sampling switch resistance | - | - | - | 1 | k Ω |
| $C_{ADC}^{(3)}$ | Internal sample and hold capacitor | - | - | - | 8 | pF |
| $t_{CAL}^{(3)(5)}$ | Calibration time | $f_{ADC} = 16$ MHz | 5.2 | | | μ s |
| | | - | 83 | | | $1/f_{ADC}$ |
| $W_{LATENCY}^{(6)}$ | ADC_DR register write latency | ADC clock = HSI16 | 1.5 ADC cycles + 2 f_{PCLK} cycles | - | 1.5 ADC cycles + 3 f_{PCLK} cycles | - |
| | | ADC clock = PCLK/2 | - | 4.5 | - | f_{PCLK} cycle |
| | | ADC clock = PCLK/4 | - | 8.5 | - | f_{PCLK} cycle |
| $t_{latr}^{(3)}$ | Trigger conversion latency | $f_{ADC} = f_{PCLK}/2 = 16$ MHz | 0.266 | | | μ s |
| | | $f_{ADC} = f_{PCLK}/2$ | 8.5 | | | $1/f_{PCLK}$ |
| | | $f_{ADC} = f_{PCLK}/4 = 8$ MHz | 0.516 | | | μ s |
| | | $f_{ADC} = f_{PCLK}/4$ | 16.5 | | | $1/f_{PCLK}$ |
| | | $f_{ADC} = f_{HSI16} = 16$ MHz | 0.252 | - | 0.260 | μ s |
| Jitter _{ADC} | ADC jitter on trigger conversion | $f_{ADC} = f_{HSI16}$ | - | 1 | - | $1/f_{HSI16}$ |
| $t_S^{(3)}$ | Sampling time | $f_{ADC} = 16$ MHz | 0.093 | - | 10.03 | μ s |
| | | - | 1.5 | - | 160.5 | $1/f_{ADC}$ |
| $t_{UP_LDO}^{(3)(5)}$ | Internal LDO power-up time | - | - | - | 10 | μ s |
| $t_{STAB}^{(3)(5)}$ | ADC stabilization time | - | 14 | | | $1/f_{ADC}$ |
| $t_{ConV}^{(3)}$ | Total conversion time (including sampling time) | $f_{ADC} = 16$ MHz, 12-bit resolution | 0.875 | - | 10.81 | μ s |
| | | 12-bit resolution | 14 to 173 (t_S for sampling +12.5 for successive approximation) | | | $1/f_{ADC}$ |

- V_{DDA} minimum value can be decreased in specific temperature conditions. Refer to [Table 62: \$R_{AIN}\$ max for \$f_{ADC} = 16\$ MHz](#).
- A current consumption proportional to the APB clock frequency has to be added (see [Table 37: Peripheral current consumption in Run or Sleep mode](#)).
- Guaranteed by design.
- Standard channels have an extra protection resistance which depends on supply voltage. Refer to [Table 62: \$R_{AIN}\$ max for \$f_{ADC} = 16\$ MHz](#).
- This parameter only includes the ADC timing. It does not take into account register access latency.
- This parameter specifies the latency to transfer the conversion result into the ADC_DR register. EOC bit is set to indicate the conversion is complete and has the same latency.

Equation 1: R_{AIN} max formula

$$R_{AIN} < \frac{T_S}{f_{ADC} \times C_{ADC} \times \ln(2^{N+2})} - R_{ADC}$$

The simplified formula above (*Equation 1*) is used to determine the maximum external impedance allowed for an error below 1/4 of LSB. Here N = 12 (from 12-bit resolution).

Table 62. R_{AIN} max for $f_{ADC} = 16 \text{ MHz}^{(1)}$

| T_S (cycles) | t_s (μs) | R_{AIN} max for fast channels ($k\Omega$) | R_{AIN} max for standard channels ($k\Omega$) | | | | | | |
|-------------------|----------------------------|---|---|--------------------------|--------------------------|--------------------------|---------------------------|--|---|
| | | | $V_{DD} > 2.7 \text{ V}$ | $V_{DD} > 2.4 \text{ V}$ | $V_{DD} > 2.0 \text{ V}$ | $V_{DD} > 1.8 \text{ V}$ | $V_{DD} > 1.75 \text{ V}$ | $V_{DD} > 1.65 \text{ V}$ and $T_A > -10 \text{ }^\circ\text{C}$ | $V_{DD} > 1.65 \text{ V}$ and $T_A > 25 \text{ }^\circ\text{C}$ |
| 1.5 | 0.09 | 0.5 | < 0.1 | NA | NA | NA | NA | NA | NA |
| 3.5 | 0.22 | 1 | 0.2 | < 0.1 | NA | NA | NA | NA | NA |
| 7.5 | 0.47 | 2.5 | 1.7 | 1.5 | < 0.1 | NA | NA | NA | NA |
| 12.5 | 0.78 | 4 | 3.2 | 3 | 1 | NA | NA | NA | NA |
| 19.5 | 1.22 | 6.5 | 5.7 | 5.5 | 3.5 | NA | NA | NA | < 0.1 |
| 39.5 | 2.47 | 13 | 12.2 | 12 | 10 | NA | NA | NA | 5 |
| 79.5 | 4.97 | 27 | 26.2 | 26 | 24 | < 0.1 | NA | NA | 19 |
| 160.5 | 10.03 | 50 | 49.2 | 49 | 47 | 32 | < 0.1 | < 0.1 | 42 |

1. Guaranteed by design.

Table 63. ADC accuracy⁽¹⁾⁽²⁾⁽³⁾

| Symbol | Parameter | Conditions | Min | Typ | Max | Unit |
|--------|--|--|------|------|-----|------|
| ET | Total unadjusted error | $1.65 \text{ V} < V_{DDA} = V_{REF+} < 3.6 \text{ V}$, range 1/2/3 | - | 2 | 4 | LSB |
| EO | Offset error | | - | 1 | 2.5 | |
| EG | Gain error | | - | 1 | 2 | |
| EL | Integral linearity error | | - | 1.5 | 2.5 | |
| ED | Differential linearity error | | - | 1 | 1.5 | |
| ENOB | Effective number of bits | | 10.2 | 11 | - | bits |
| | Effective number of bits (16-bit mode oversampling with ratio =256) ⁽⁴⁾ | | 11.3 | 12.1 | - | |
| SINAD | Signal-to-noise distortion | | 63 | 69 | - | dB |
| SNR | Signal-to-noise ratio | | 63 | 69 | - | |
| | Signal-to-noise ratio (16-bit mode oversampling with ratio =256) ⁽⁴⁾ | | 70 | 76 | - | |
| THD | Total harmonic distortion | - | -85 | -73 | | |

Table 63. ADC accuracy⁽¹⁾⁽²⁾⁽³⁾ (continued)

| Symbol | Parameter | Conditions | Min | Typ | Max | Unit |
|--------|------------------------------|---|------|------|-----|------|
| ET | Total unadjusted error | 1.65 V < V _{REF+} < V _{DDA} < 3.6 V, range 1/2/3 | - | 2 | 5 | LSB |
| EO | Offset error | | - | 1 | 2.5 | |
| EG | Gain error | | - | 1 | 2 | |
| EL | Integral linearity error | | - | 1.5 | 3 | |
| ED | Differential linearity error | | - | 1 | 2 | |
| ENOB | Effective number of bits | | 10.0 | 11.0 | - | |
| SINAD | Signal-to-noise distortion | | 62 | 69 | - | dB |
| SNR | Signal-to-noise ratio | | 61 | 69 | - | |
| THD | Total harmonic distortion | | - | -85 | -65 | |

- ADC DC accuracy values are measured after internal calibration.
- ADC Accuracy vs. Negative Injection Current: Injecting negative current on any of the standard (non-robust) analog input pins should be avoided as this significantly reduces the accuracy of the conversion being performed on another analog input. It is recommended to add a Schottky diode (pin to ground) to standard analog pins which may potentially inject negative current. Any positive injection current within the limits specified for I_{INJ(PIN)} and ΣI_{INJ(PIN)} in Section 6.3.12 does not affect the ADC accuracy.
- Better performance may be achieved in restricted V_{DDA}, frequency and temperature ranges.
- This number is obtained by the test board without additional noise, resulting in non-optimized value for oversampling mode.

Figure 25. ADC accuracy characteristics

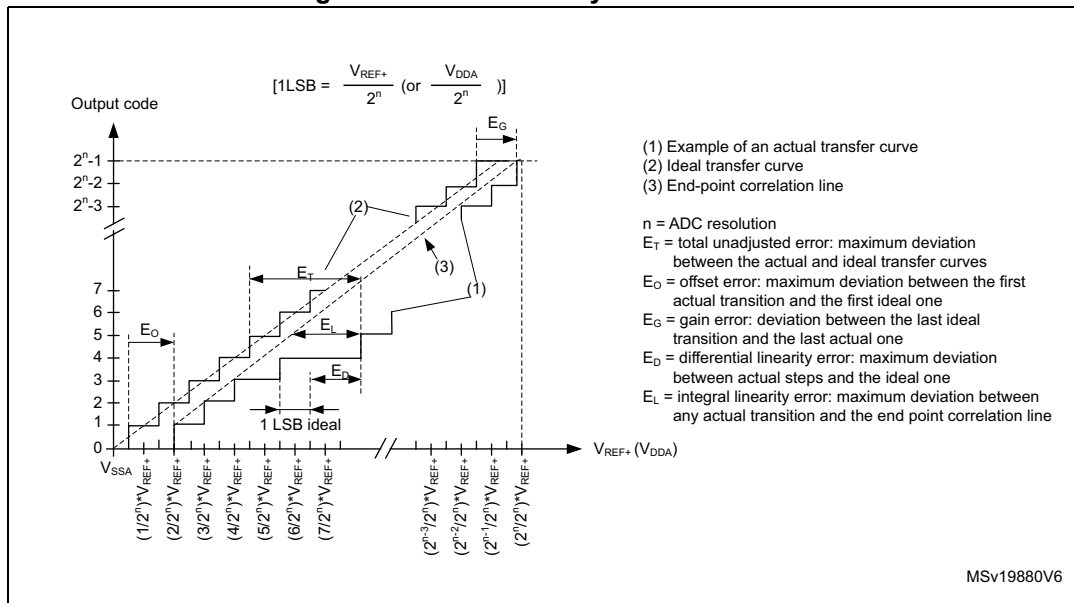
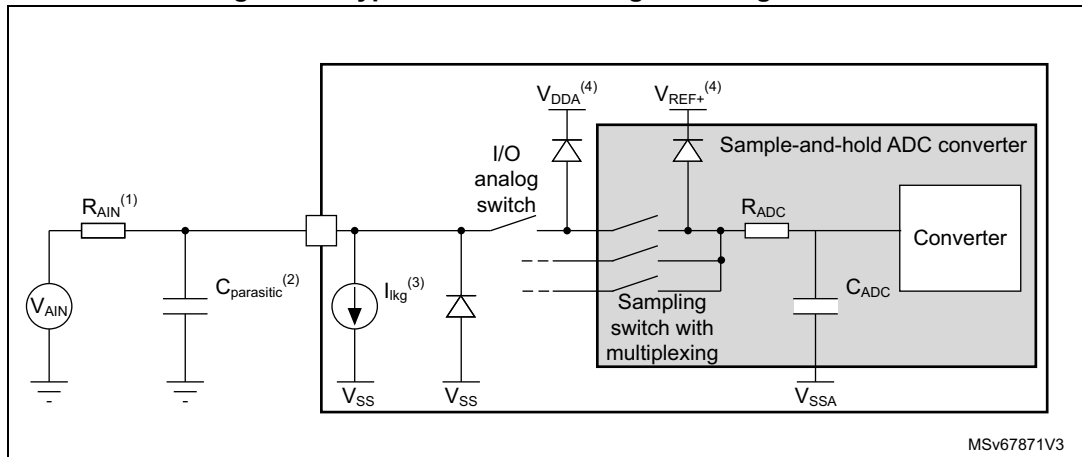


Figure 26. Typical connection diagram using the ADC



1. Refer to [Table 61: ADC characteristics](#) for the values of R_{AIN} and C_{ADC} .
2. $C_{parasitic}$ represents the capacitance of the PCB (dependent on soldering and PCB layout quality) plus the pad capacitance (refer to [Table 57: I/O static characteristics](#)). A high $C_{parasitic}$ value downgrades conversion accuracy. To remedy this, f_{ADC} must be reduced.
3. Refer to [Table 57: I/O static characteristics](#) for the value of I_{Ikg} .
4. Refer to [Figure 9: Power supply scheme](#).

General PCB design guidelines

Power supply decoupling should be performed as shown in [Figure 27](#) or [Figure 28](#), depending on whether V_{REF+} is connected to V_{DDA} or not. The 10 nF capacitors should be ceramic (good quality). They should be placed as close as possible to the chip.

Figure 27. Power supply and reference decoupling (V_{REF+} not connected to V_{DDA})

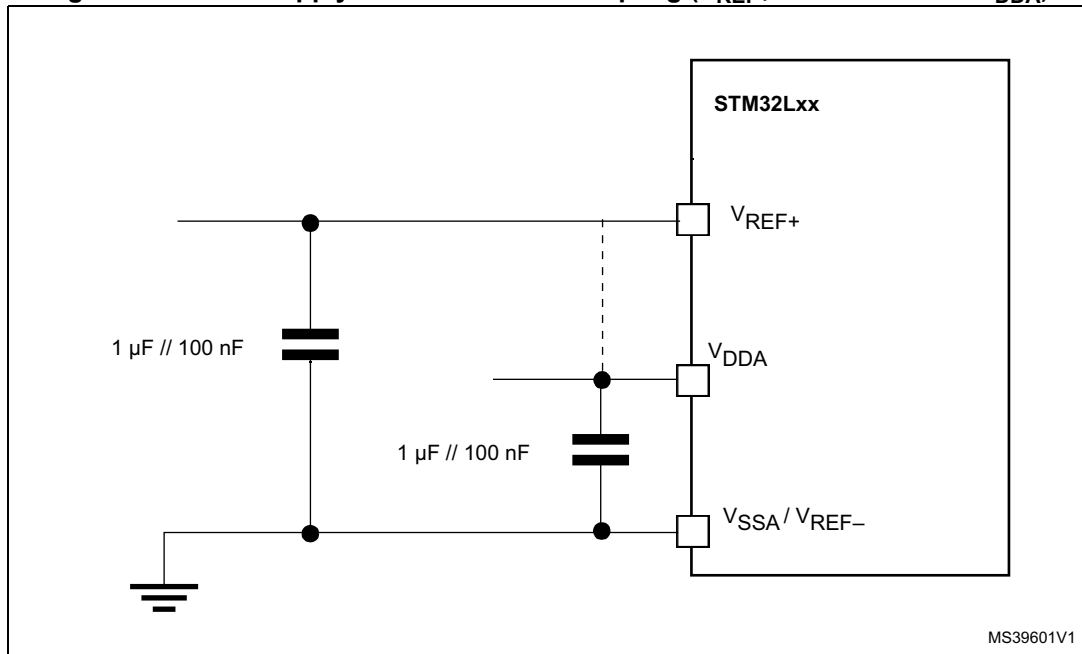
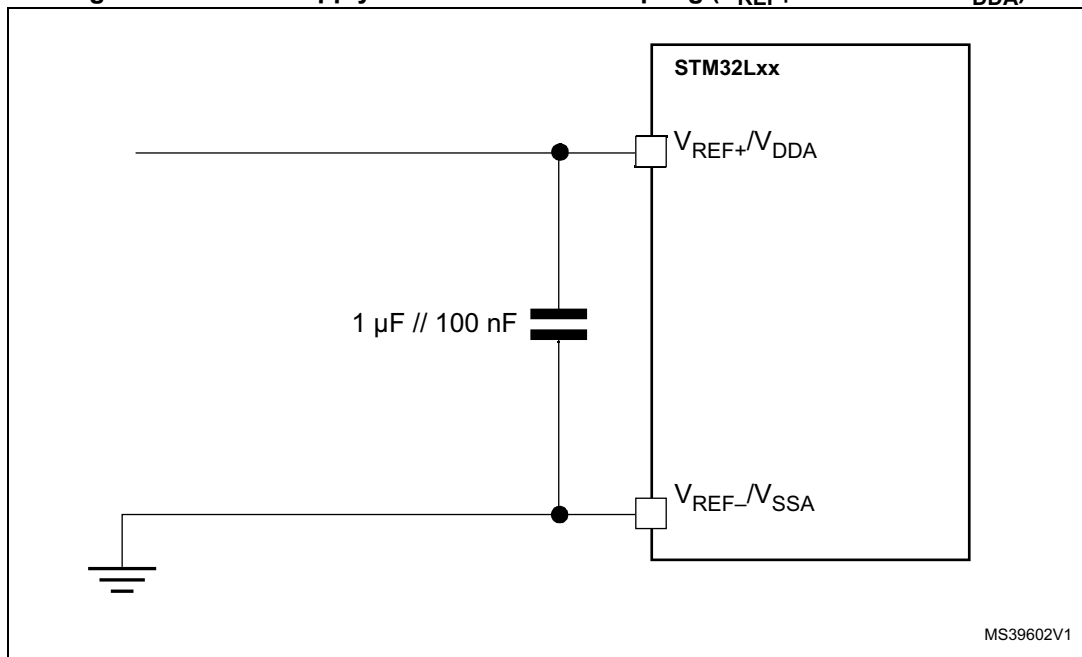


Figure 28. Power supply and reference decoupling (V_{REF+} connected to V_{DDA})

6.3.16 DAC electrical characteristics

Data guaranteed by design, not tested in production, unless otherwise specified.

Table 64. DAC characteristics

| Symbol | Parameter | Conditions | Min | Typ | Max | Unit | |
|---------------------|--|---|------------------------------|-----|--------------------------|------------|------------|
| V_{DDA} | Analog supply voltage | - | 1.8 | - | 3.6 | V | |
| V_{REF+} | Reference supply voltage | V_{REF+} must always be below V_{DDA} | 1.8 | - | 3.6 | V | |
| V_{REF-} | Lower reference voltage | - | V_{SSA} | | | V | |
| $I_{DDVREF+}^{(1)}$ | Current consumption on V_{REF+} supply $V_{REF+} = 3.3$ V | No load, middle code (0x800) | - | 130 | 220 | μ A | |
| | | No load, worst code (0x000) | - | 220 | 350 | | |
| $I_{DDA}^{(2)}$ | Current consumption on V_{DDA} supply, $V_{DDA} = 3.3$ V | No load, middle code (0x800) | - | 210 | 320 | μ A | |
| | | No load, worst code (0xF1C) | - | 320 | 520 | | |
| $R_L^{(3)}$ | Resistive load | DAC output ON | R_L connected to V_{SSA} | 5 | - | - | k Ω |
| | | | R_L connected to V_{DDA} | 25 | - | - | |
| $C_L^{(3)}$ | Capacitive load | DAC output buffer ON | - | - | 50 | pF | |
| R_O | Output impedance | DAC output buffer OFF | 12 | 16 | 20 | k Ω | |
| V_{DAC_OUT} | Voltage on DAC_OUT output | DAC output buffer ON | 0.2 | - | $V_{DDA} - 0.2$ | V | |
| | | DAC output buffer OFF | 0.5 | - | $V_{REF+} - 1\text{LSB}$ | mV | |

Table 64. DAC characteristics (continued)

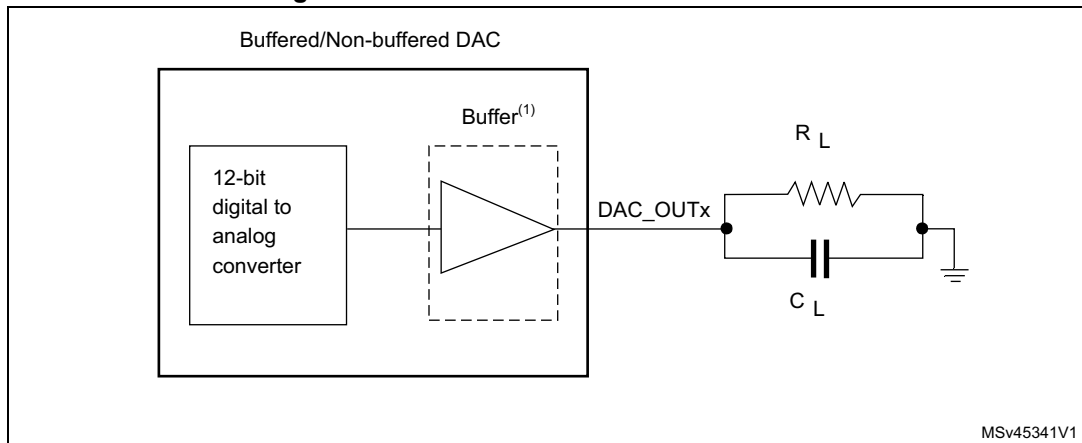
| Symbol | Parameter | Conditions | Min | Typ | Max | Unit |
|---------------------------|---|--|-----|--------------|--------------|------------|
| DNL ⁽²⁾ | Differential non linearity ⁽⁴⁾ | $C_L \leq 50$ pF, $R_L \geq 5$ k Ω DAC output buffer ON | - | 1.5 | 3 | LSB |
| | | No R_{LOAD} , $C_L \leq 50$ pF DAC output buffer OFF | - | 1.5 | 3 | |
| INL ⁽²⁾ | Integral non linearity ⁽⁵⁾ | $C_L \leq 50$ pF, $R_L \geq 5$ k Ω DAC output buffer ON | - | 2 | 4 | |
| | | No R_{LOAD} , $C_L \leq 50$ pF DAC output buffer OFF | - | 2 | 4 | |
| Offset ⁽²⁾ | Offset error at code 0x800 ⁽⁶⁾ | $C_L \leq 50$ pF, $R_L \geq 5$ k Ω DAC output buffer ON | - | ± 10 | ± 25 | |
| | | No R_{LOAD} , $C_L \leq 50$ pF DAC output buffer OFF | - | ± 5 | ± 8 | |
| Offset1 ⁽²⁾ | Offset error at code 0x001 ⁽⁷⁾ | No R_{LOAD} , $C_L \leq 50$ pF DAC output buffer OFF | - | ± 1.5 | ± 5 | |
| dOffset/dT ⁽²⁾ | Offset error temperature coefficient (code 0x800) | $V_{DDA} = 3.3$ V $V_{REF+} = 3.0$ V $T_A = 0$ to 50 °C DAC output buffer OFF | -20 | -10 | 0 | |
| | | $V_{DDA} = 3.3$ V $V_{REF+} = 3.0$ V $T_A = 0$ to 50 °C DAC output buffer ON | 0 | 20 | 50 | |
| Gain ⁽²⁾ | Gain error ⁽⁸⁾ | $C_L \leq 50$ pF, $R_L \geq 5$ k Ω DAC output buffer ON | - | +0.1 / -0.2% | +0.2 / -0.5% | % |
| | | No R_{LOAD} , $C_L \leq 50$ pF DAC output buffer OFF | - | +0 / -0.2% | +0 / -0.4% | |
| dGain/dT ⁽²⁾ | Gain error temperature coefficient | $V_{DDA} = 3.3$ V $V_{REF+} = 3.0$ V $T_A = 0$ to 50 °C DAC output buffer OFF | -10 | -2 | 0 | μ V/°C |
| | | $V_{DDA} = 3.3$ V $V_{REF+} = 3.0$ V $T_A = 0$ to 50 °C DAC output buffer ON | -40 | -8 | 0 | |
| TUE ⁽²⁾ | Total unadjusted error | $C_L \leq 50$ pF, $R_L \geq 5$ k Ω DAC output buffer ON | - | 12 | 30 | LSB |
| | | No R_{LOAD} , $C_L \leq 50$ pF DAC output buffer OFF | - | 8 | 12 | |

Table 64. DAC characteristics (continued)

| Symbol | Parameter | Conditions | Min | Typ | Max | Unit |
|----------------|--|--|-----|-----|-----|---------|
| $t_{SETTLING}$ | Settling time (full scale: for a 12-bit code transition between the lowest and the highest input codes till DAC_OUT reaches final value $\pm 1LSB$) | $C_L \leq 50 \text{ pF}, R_L \geq 5 \text{ k}\Omega$ | - | 7 | 12 | μs |
| Update rate | Max frequency for a correct DAC_OUT change (95% of final value) with 1 LSB variation in the input code | $C_L \leq 50 \text{ pF}, R_L \geq 5 \text{ k}\Omega$ | - | - | 1 | Msp/s |
| t_{WAKEUP} | Wakeup time from off state (setting the ENx bit in the DAC Control register) ⁽⁹⁾ | $C_L \leq 50 \text{ pF}, R_L \geq 5 \text{ k}\Omega$ | - | 9 | 15 | μs |
| PSRR+ | V_{DDA} supply rejection ratio (static DC measurement) | $C_L \leq 50 \text{ pF}, R_L \geq 5 \text{ k}\Omega$ | - | -60 | -35 | dB |

1. Guaranteed by characterization results.
2. Guaranteed by design, not tested in production.
3. Connected between DAC_OUT and V_{SSA} .
4. Difference between two consecutive codes - 1 LSB.
5. Difference between measured value at Code i and the value at Code i on a line drawn between Code 0 and last Code 4095.
6. Difference between the value measured at Code (0x800) and the ideal value = $V_{REF+}/2$.
7. Difference between the value measured at Code (0x001) and the ideal value.
8. Difference between ideal slope of the transfer function and measured slope computed from code 0x000 and 0xFFFF when buffer is OFF, and from code giving 0.2 V and ($V_{DDA} - 0.2$) V when buffer is ON.
9. In buffered mode, the output can overshoot above the final value for low input code (starting from min value).

Figure 29. 12-bit buffered/non-buffered DAC



1. The DAC integrates an output buffer that can be used to reduce the output impedance and to drive external loads directly without the use of an external operational amplifier. The buffer can be bypassed by configuring the BOFFx bit in the DAC_CR register.

6.3.17 Temperature sensor characteristics

Table 65. Temperature sensor calibration values

| Calibration value name | Description | Memory address |
|------------------------|---|---------------------------|
| TS_CAL1 | TS ADC raw data acquired at temperature of 30 °C, $V_{DDA} = 3\text{ V}$ | 0x1FF8 007A - 0x1FF8 007B |
| TS_CAL2 | TS ADC raw data acquired at temperature of 130 °C, $V_{DDA} = 3\text{ V}$ | 0x1FF8 007E - 0x1FF8 007F |

Table 66. Temperature sensor characteristics

| Symbol | Parameter | Min | Typ | Max | Unit |
|--------------------------|--|------|---------|---------|-------|
| $T_L^{(1)}$ | V_{SENSE} linearity with temperature | - | ± 1 | ± 2 | °C |
| Avg_Slope ⁽¹⁾ | Average slope | 1.48 | 1.61 | 1.75 | mV/°C |
| V_{130} | Voltage at 130°C $\pm 5^\circ\text{C}^{(2)}$ | 640 | 670 | 700 | mV |
| $I_{DDA(TEMP)}^{(3)}$ | Current consumption | - | 3.4 | 6 | μA |
| $t_{START}^{(3)}$ | Startup time | - | - | 10 | μs |
| $T_{S_temp}^{(4)(3)}$ | ADC sampling time when reading the temperature | 10 | - | - | |

1. Guaranteed by characterization results.
2. Measured at $V_{DD} = 3\text{ V} \pm 10\text{ mV}$. V_{130} ADC conversion result is stored in the TS_CAL2 byte.
3. Guaranteed by design.
4. Shortest sampling time can be determined in the application by multiple iterations.

6.3.18 Comparators

Table 67. Comparator 1 characteristics

| Symbol | Parameter | Conditions | Min ⁽¹⁾ | Typ | Max ⁽¹⁾ | Unit |
|---------------------|--|--|--------------------|---------|--------------------|-----------|
| V_{DDA} | Analog supply voltage | - | 1.65 | | 3.6 | V |
| V_{IN} | Comparator 1 input voltage range | - | 0.6 | - | V_{DDA} | V |
| t_{START} | Comparator startup time | - | - | 7 | 10 | μs |
| t_d | Propagation delay ⁽²⁾ | - | - | 3 | 10 | |
| V_{offset} | Comparator offset | - | - | ± 3 | ± 10 | mV |
| $d_{V_{offset}/dt}$ | Comparator offset variation in worst voltage stress conditions | $V_{DDA} = 3.6\text{ V}$, $V_{IN+} = 0\text{ V}$, $V_{IN-} = V_{REFINT}$, $T_A = 25^\circ\text{C}$ | 0 | 1.5 | 10 | mV/1000 h |
| I_{COMP1} | Current consumption ⁽³⁾ | - | - | 160 | 260 | nA |

1. Guaranteed by characterization.
2. The delay is characterized for 100 mV input step with 10 mV overdrive on the inverting input, the non-inverting input set to the reference.
3. Comparator consumption only. Internal reference voltage not included.

Table 68. Comparator 2 characteristics

| Symbol | Parameter | Conditions | Min | Typ | Max ⁽¹⁾ | Unit |
|---------------------|---|--|------|-----|--------------------|----------|
| V _{DDA} | Analog supply voltage | - | 1.65 | - | 3.6 | V |
| V _{IN} | Comparator 2 input voltage range | - | 0 | - | V _{DDA} | V |
| t _{START} | Comparator startup time | Fast mode | - | 15 | 20 | μs |
| | | Slow mode | - | 20 | 25 | |
| t _{d slow} | Propagation delay ⁽²⁾ in slow mode | 1.65 V ≤ V _{DDA} ≤ 2.7 V | - | 1.8 | 3.5 | |
| | | 2.7 V ≤ V _{DDA} ≤ 3.6 V | - | 2.5 | 6 | |
| t _{d fast} | Propagation delay ⁽²⁾ in fast mode | 1.65 V ≤ V _{DDA} ≤ 2.7 V | - | 0.8 | 2 | |
| | | 2.7 V ≤ V _{DDA} ≤ 3.6 V | - | 1.2 | 4 | |
| V _{offset} | Comparator offset error | | - | ±4 | ±20 | mV |
| dThreshold/ dt | Threshold voltage temperature coefficient | V _{DDA} = 3.3V, T _A = 0 to 50 °C, V ₋ = V _{REFINT} , 3/4 V _{REFINT} , 1/2 V _{REFINT} , 1/4 V _{REFINT} . | - | 15 | 30 | ppm / °C |
| I _{COMP2} | Current consumption ⁽³⁾ | Fast mode | - | 3.5 | 5 | μA |
| | | Slow mode | - | 0.5 | 2 | |

1. Guaranteed by characterization results.
2. The delay is characterized for 100 mV input step with 10 mV overdrive on the inverting input, the non-inverting input set to the reference.
3. Comparator consumption only. Internal reference voltage (required for comparator operation) is not included.

6.3.19 Timer characteristics

TIM timer characteristics

The parameters given in the [Table 69](#) are guaranteed by design.

Refer to [Section 6.3.13: I/O port characteristics](#) for details on the input/output alternate function characteristics (output compare, input capture, external clock, PWM output).

Table 69. TIMx characteristics⁽¹⁾

| Symbol | Parameter | Conditions | Min | Max | Unit |
|------------------|--|--------------------------------|--------|----------------------|---------------|
| $t_{res(TIM)}$ | Timer resolution time | | 1 | - | $t_{TIMxCLK}$ |
| | | $f_{TIMxCLK} = 32 \text{ MHz}$ | 31.25 | - | ns |
| f_{EXT} | Timer external clock frequency on CH1 to CH4 | | 0 | $f_{TIMxCLK}/2$ | MHz |
| | | $f_{TIMxCLK} = 32 \text{ MHz}$ | 0 | 16 | MHz |
| Res_{TIM} | Timer resolution | - | | 16 | bit |
| $t_{COUNTER}$ | 16-bit counter clock period when internal clock is selected (timer's prescaler disabled) | - | 1 | 65536 | $t_{TIMxCLK}$ |
| | | $f_{TIMxCLK} = 32 \text{ MHz}$ | 0.0312 | 2048 | μs |
| t_{MAX_COUNT} | Maximum possible count | - | - | 65536×65536 | $t_{TIMxCLK}$ |
| | | $f_{TIMxCLK} = 32 \text{ MHz}$ | - | 134.2 | s |

1. TIMx is used as a general term to refer to the TIM2, TIM6, TIM21, and TIM22 timers.

6.3.20 Communications interfaces

I²C interface characteristics

The I²C interface meets the timings requirements of the I²C-bus specification and user manual rev. 03 for:

- Standard-mode (Sm) : with a bit rate up to 100 kbit/s
- Fast-mode (Fm) : with a bit rate up to 400 kbit/s
- Fast-mode Plus (Fm+) : with a bit rate up to 1 Mbit/s.

The I²C timing requirements are guaranteed by design when the I²C peripheral is properly configured (refer to the reference manual for details). The SDA and SCL I/O requirements are met with the following restrictions: the SDA and SCL I/O pins are not "true" open-drain. When configured as open-drain, the PMOS connected between the I/O pin and VDDIOx is disabled, but is still present. Only FTf I/O pins support Fm+ low level output current maximum requirement (refer to [Section 6.3.13: I/O port characteristics](#) for the I2C I/Os characteristics).

All I²C SDA and SCL I/Os embed an analog filter (see [Table 70](#) for the analog filter characteristics).

The analog spike filter is compliant with I²C timings requirements only for the following voltage ranges:

- Fast mode Plus: 2.7 V ≤ V_{DD} ≤ 3.6 V and voltage scaling Range 1
- Fast mode:
 - 2 V ≤ V_{DD} ≤ 3.6 V and voltage scaling Range 1 or Range 2.
 - V_{DD} < 2 V, voltage scaling Range 1 or Range 2, C_{load} < 200 pF.

In other ranges, the analog filter should be disabled. The digital filter can be used instead.

Note: In Standard mode, no spike filter is required.

Table 70. I2C analog filter characteristics⁽¹⁾

| Symbol | Parameter | Conditions | Min | Max | Unit |
|-----------------|--|------------|-------------------|--------------------|------|
| t _{AF} | Maximum pulse width of spikes that are suppressed by the analog filter | Range 1 | 50 ⁽²⁾ | 100 ⁽³⁾ | ns |
| | | Range 2 | | - | |
| | | Range 3 | | - | |

1. Guaranteed by characterization results.
2. Spikes with widths below t_{AF(min)} are filtered.
3. Spikes with widths above t_{AF(max)} are not filtered

SPI characteristics

Unless otherwise specified, the parameters given in the following tables are derived from tests performed under ambient temperature, f_{PCLKx} frequency and V_{DD} supply voltage conditions summarized in [Table 23](#).

Refer to [Section 6.3.12: I/O current injection characteristics](#) for more details on the input/output alternate function characteristics (NSS, SCK, MOSI, MISO).

Table 71. SPI characteristics in voltage Range 1⁽¹⁾

| Symbol | Parameter | Conditions | Min | Typ | Max | Unit |
|---|-----------------------------------|---|-----|-----|-------------------|------|
| f _{SCK} 1/t _{c(SCK)} | SPI clock frequency | Master mode | - | - | 16 | MHz |
| | | Slave mode receiver | | | 16 | |
| | | Slave mode Transmitter 1.71 < V _{DD} < 3.6V | | | 12 ⁽²⁾ | |
| | | Slave mode Transmitter 2.7 < V _{DD} < 3.6V | | | 16 ⁽²⁾ | |
| Duty _(SCK) | Duty cycle of SPI clock frequency | Slave mode | 30 | 50 | 70 | % |



Table 71. SPI characteristics in voltage Range 1 ⁽¹⁾ (continued)

| Symbol | Parameter | Conditions | Min | Typ | Max | Unit |
|--------------------------------|--------------------------|---|--------------------|------------|----------------|------|
| $t_{su(NSS)}$ | NSS setup time | Slave mode, SPI presc = 2 | $4 \cdot T_{pclk}$ | - | - | ns |
| $t_{h(NSS)}$ | NSS hold time | Slave mode, SPI presc = 2 | $2 \cdot T_{pclk}$ | - | - | |
| $t_{w(SCKH)}$ $t_{w(SCKL)}$ | SCK high and low time | Master mode | $T_{pclk} - 2$ | T_{pclk} | $T_{pclk} + 2$ | |
| $t_{su(MI)}$ | Data input setup time | Master mode | 0 | - | - | |
| $t_{su(SI)}$ | | Slave mode | 3 | - | - | |
| $t_{h(MI)}$ | Data input hold time | Master mode | 7 | - | - | |
| $t_{h(SI)}$ | | Slave mode | 3.5 | - | - | |
| $t_{a(SO)}$ | Data output access time | Slave mode | 15 | - | 36 | |
| $t_{dis(SO)}$ | Data output disable time | Slave mode | 10 | - | 30 | |
| $t_{v(SO)}$ | Data output valid time | Slave mode $1.65 \text{ V} < V_{DD} < 3.6 \text{ V}$ | - | 18 | 41 | |
| | | Slave mode $2.7 \text{ V} < V_{DD} < 3.6 \text{ V}$ | - | 18 | 25 | |
| $t_{v(MO)}$ | | Master mode | - | 4 | 7 | |
| $t_{h(SO)}$ | Data output hold time | Slave mode | 10 | - | - | |
| $t_{h(MO)}$ | | Master mode | 0 | - | - | |

1. Guaranteed by characterization results.
2. The maximum SPI clock frequency in slave transmitter mode is determined by the sum of $t_{v(SO)}$ and $t_{su(MI)}$ which has to fit into SCK low or high phase preceding the SCK sampling edge. This value can be achieved when the SPI communicates with a master having $t_{su(MI)} = 0$ while $Duty_{(SCK)} = 50\%$.

Table 72. SPI characteristics in voltage Range 2 (1)

| Symbol | Parameter | Conditions | Min | Typ | Max | Unit |
|--|-----------------------------------|--|---------|-------|------------------|------|
| f _{SCK} 1/t _{c(SCK)} | SPI clock frequency | Master mode | - | - | 8 | MHz |
| | | Slave mode Transmitter 1.65<V _{DD} <3.6V | | | 8 | |
| | | Slave mode Transmitter 2.7<V _{DD} <3.6V | | | 8 ⁽²⁾ | |
| Duty _(SCK) | Duty cycle of SPI clock frequency | Slave mode | 30 | 50 | 70 | % |
| t _{su(NSS)} | NSS setup time | Slave mode, SPI presc = 2 | 4*Tpclk | - | - | ns |
| t _{h(NSS)} | NSS hold time | Slave mode, SPI presc = 2 | 2*Tpclk | - | - | |
| t _{w(SCKH)} t _{w(SCKL)} | SCK high and low time | Master mode | Tpclk-2 | Tpclk | Tpclk+2 | |
| t _{su(MI)} | Data input setup time | Master mode | 0 | - | - | |
| t _{su(SI)} | | Slave mode | 3 | - | - | |
| t _{h(MI)} | Data input hold time | Master mode | 11 | - | - | |
| t _{h(SI)} | | Slave mode | 4.5 | - | - | |
| t _{a(SO)} | Data output access time | Slave mode | 18 | - | 52 | |
| t _{dis(SO)} | Data output disable time | Slave mode | 12 | - | 42 | |
| t _{v(SO)} | Data output valid time | Slave mode | - | 20 | 56.5 | |
| t _{v(MO)} | | Master mode | - | 5 | 9 | |
| t _{h(SO)} | Data output hold time | Slave mode | 13 | - | - | |
| t _{h(MO)} | | Master mode | 3 | - | - | |

1. Guaranteed by characterization results.
2. The maximum SPI clock frequency in slave transmitter mode is determined by the sum of t_{v(SO)} and t_{su(MI)} which has to fit into SCK low or high phase preceding the SCK sampling edge. This value can be achieved when the SPI communicates with a master having t_{su(MI)} = 0 while Duty_(SCK) = 50%.

Table 73. SPI characteristics in voltage Range 3 ⁽¹⁾

| Symbol | Parameter | Conditions | Min | Typ | Max | Unit |
|--------------------------------|-----------------------------------|---------------------------|--------------------|------------|----------------|------|
| f_{SCK} $1/t_{c(SCK)}$ | SPI clock frequency | Master mode | - | - | 2 | MHz |
| | | Slave mode | | | $2^{(2)}$ | |
| $Duty_{(SCK)}$ | Duty cycle of SPI clock frequency | Slave mode | 30 | 50 | 70 | % |
| $t_{su(NSS)}$ | NSS setup time | Slave mode, SPI presc = 2 | $4 \cdot T_{pclk}$ | - | - | ns |
| $t_{h(NSS)}$ | NSS hold time | Slave mode, SPI presc = 2 | $2 \cdot T_{pclk}$ | - | - | |
| $t_{w(SCKH)}$ $t_{w(SCKL)}$ | SCK high and low time | Master mode | $T_{pclk} - 2$ | T_{pclk} | $T_{pclk} + 2$ | |
| $t_{su(MI)}$ | Data input setup time | Master mode | 1.5 | - | - | |
| $t_{su(SI)}$ | | Slave mode | 6 | - | - | |
| $t_{h(MI)}$ | Data input hold time | Master mode | 13.5 | - | - | |
| $t_{h(SI)}$ | | Slave mode | 16 | - | - | |
| $t_{a(SO)}$ | Data output access time | Slave mode | 30 | - | 70 | |
| $t_{dis(SO)}$ | Data output disable time | Slave mode | 40 | - | 80 | |
| $t_{v(SO)}$ | Data output valid time | Slave mode | - | 30 | 70 | |
| $t_{v(MO)}$ | | Master mode | - | 7 | 9 | |
| $t_{h(SO)}$ | Data output hold time | Slave mode | 25 | - | - | |
| $t_{h(MO)}$ | | Master mode | 8 | - | - | |

1. Guaranteed by characterization results.
2. The maximum SPI clock frequency in slave transmitter mode is determined by the sum of $t_{v(SO)}$ and $t_{su(MI)}$ which has to fit into SCK low or high phase preceding the SCK sampling edge. This value can be achieved when the SPI communicates with a master having $t_{su(MI)} = 0$ while $Duty_{(SCK)} = 50\%$.

Figure 30. SPI timing diagram - slave mode and CPHA = 0

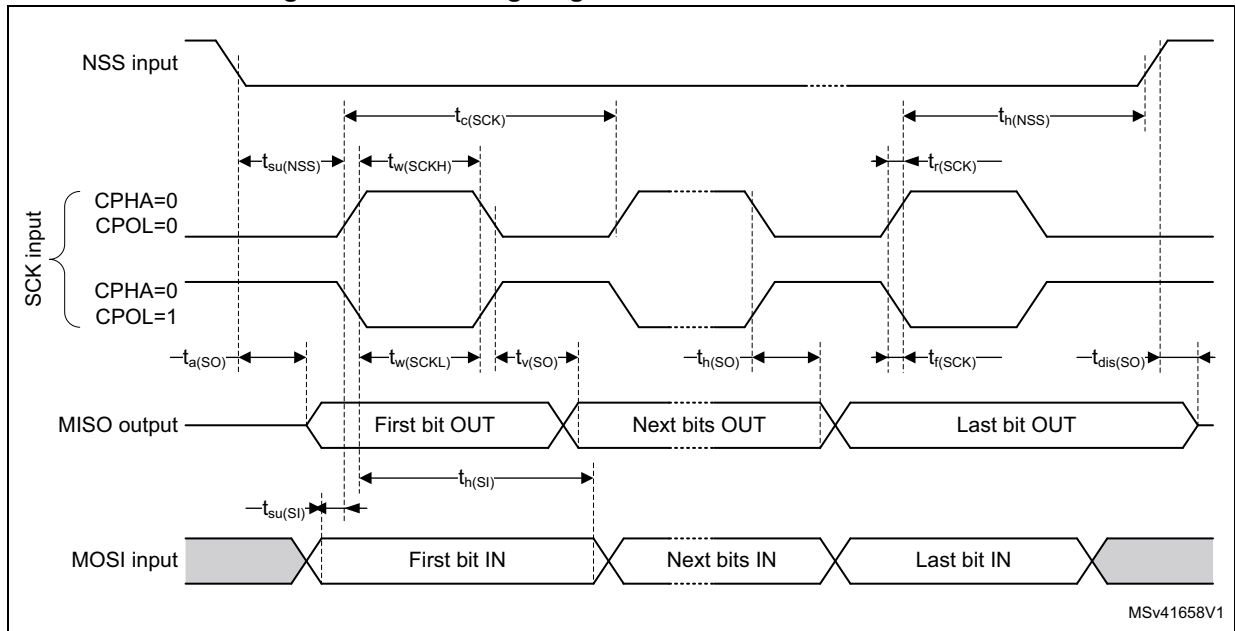
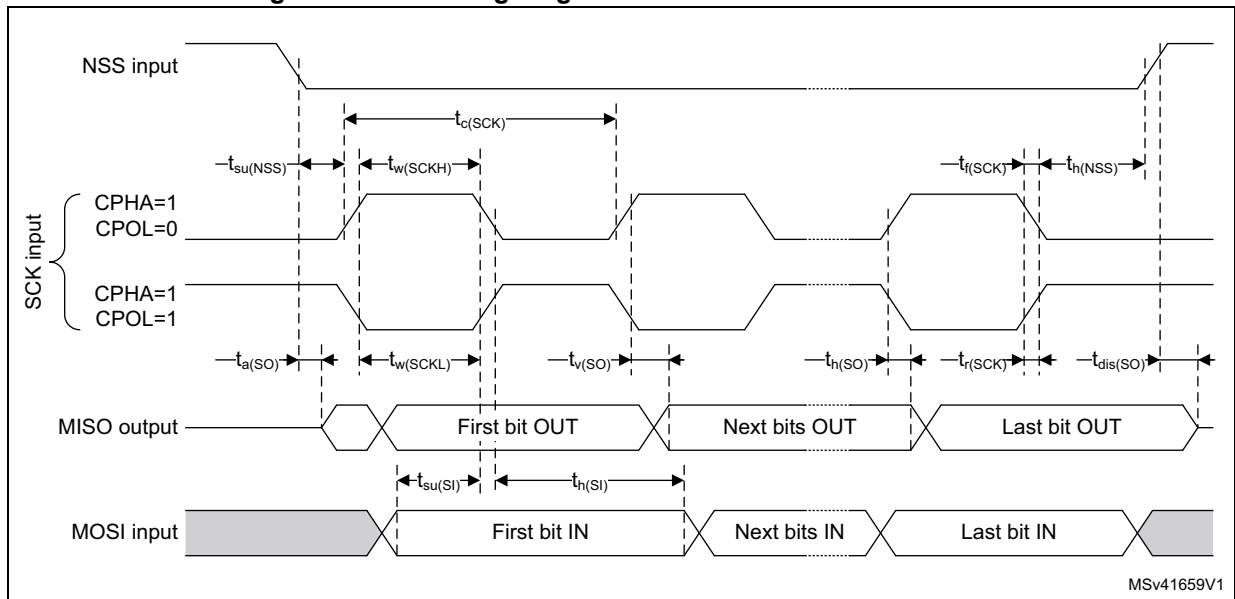
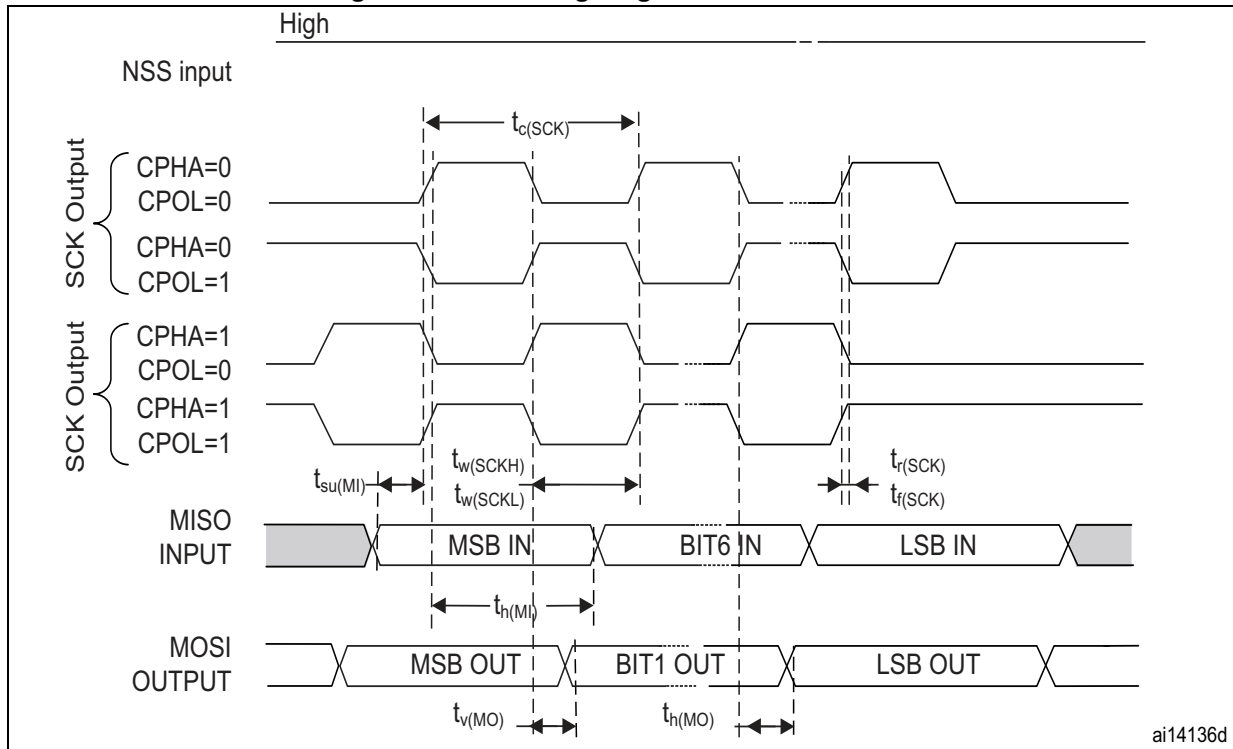


Figure 31. SPI timing diagram - slave mode and CPHA = 1⁽¹⁾



1. Measurement points are done at CMOS levels: $0.3V_{DD}$ and $0.7V_{DD}$.

Figure 32. SPI timing diagram - master mode⁽¹⁾



1. Measurement points are done at CMOS levels: $0.3V_{DD}$ and $0.7V_{DD}$.

USB characteristics

The USB interface is USB-IF certified (full speed).

Table 74. USB startup time

| Symbol | Parameter | Max | Unit |
|---------------------|------------------------------|-----|---------|
| $t_{STARTUP}^{(1)}$ | USB transceiver startup time | 1 | μs |

1. Guaranteed by design.

Table 75. USB DC electrical characteristics

| Symbol | Parameter | Conditions | Min. ⁽¹⁾ | Max. ⁽¹⁾ | Unit |
|----------------------|---------------------------------|---|---------------------|---------------------|------|
| Input levels | | | | | |
| V_{DD} | USB operating voltage | - | 3.0 | 3.6 | V |
| $V_{DI}^{(2)}$ | Differential input sensitivity | I(USB_DP, USB_DM) | 0.2 | - | V |
| $V_{CM}^{(2)}$ | Differential common mode range | Includes V_{DI} range | 0.8 | 2.5 | |
| $V_{SE}^{(2)}$ | Single ended receiver threshold | - | 1.3 | 2.0 | |
| Output levels | | | | | |
| $V_{OL}^{(3)}$ | Static output level low | R_L of 1.5 k Ω to 3.6 V ⁽⁴⁾ | - | 0.3 | V |
| $V_{OH}^{(3)}$ | Static output level high | R_L of 15 k Ω to $V_{SS}^{(4)}$ | 2.8 | 3.6 | |

1. All the voltages are measured from the local ground potential.
2. Guaranteed by characterization results.
3. Guaranteed by test in production.
4. R_L is the load connected on the USB drivers.

Figure 33. USB timings: definition of data signal rise and fall time

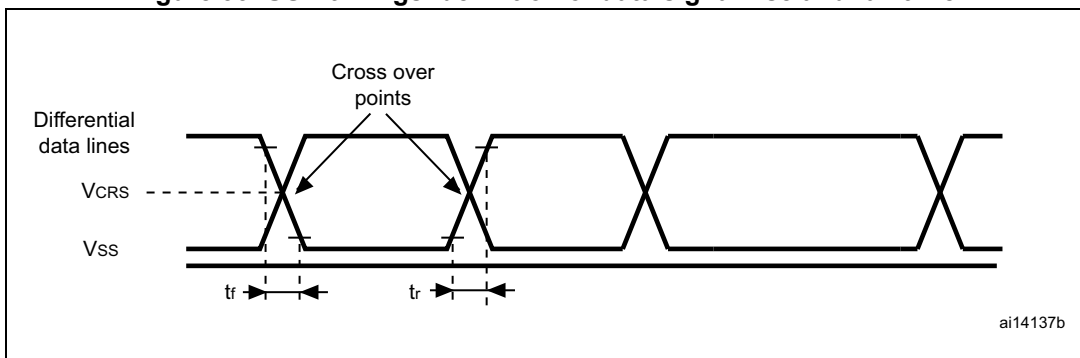


Table 76. USB: full speed electrical characteristics

| Driver characteristics ⁽¹⁾ | | | | | |
|---------------------------------------|---------------------------------|-----------------------|-----|-----|------|
| Symbol | Parameter | Conditions | Min | Max | Unit |
| t_r | Rise time ⁽²⁾ | $C_L = 50 \text{ pF}$ | 4 | 20 | ns |
| t_f | Fall Time ⁽²⁾ | $C_L = 50 \text{ pF}$ | 4 | 20 | ns |
| t_{rfm} | Rise/ fall time matching | t_r/t_f | 90 | 110 | % |
| V_{CRS} | Output signal crossover voltage | | 1.3 | 2.0 | V |

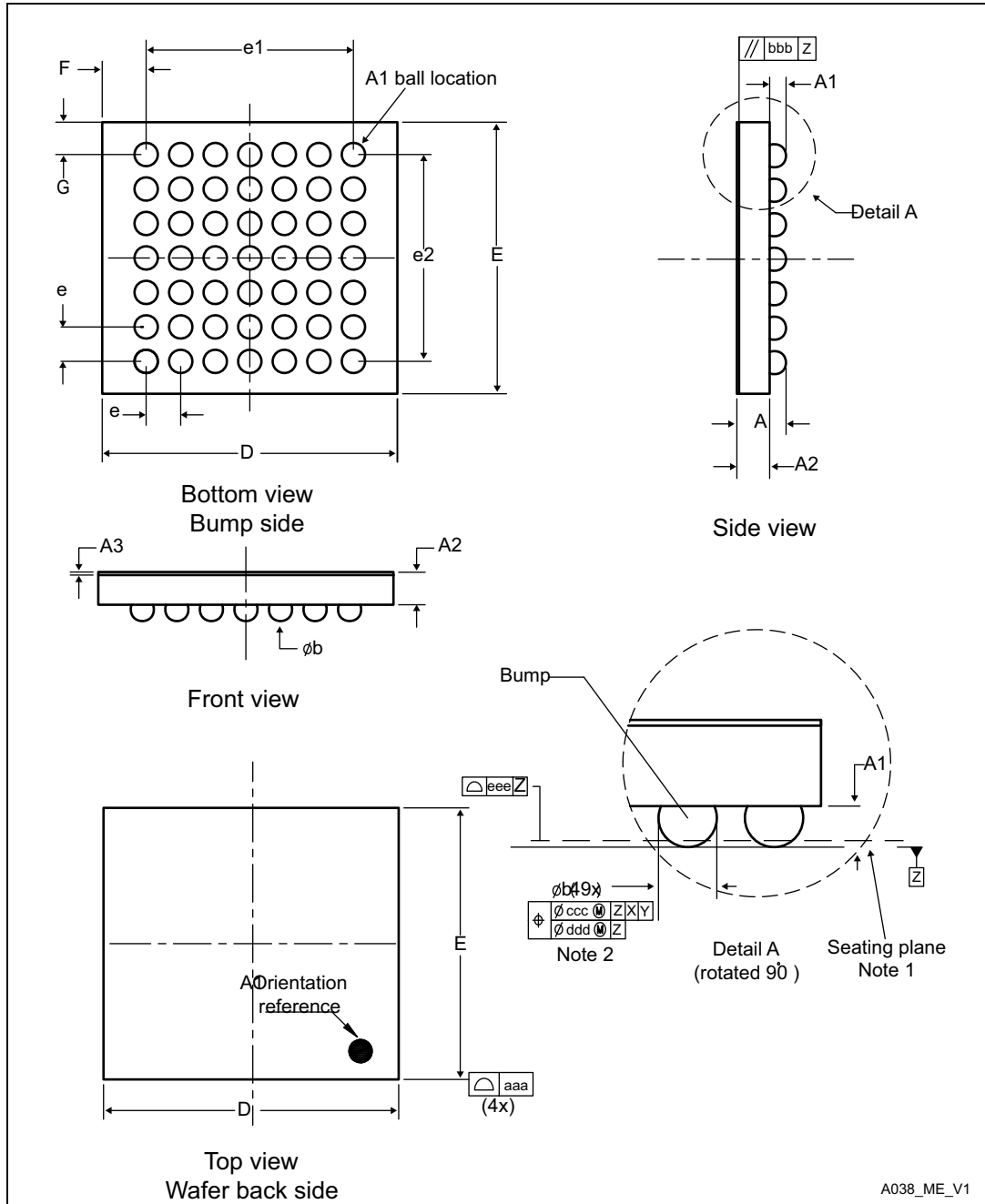
1. Guaranteed by design.
2. Measured from 10% to 90% of the data signal. For more detailed informations, please refer to USB Specification - Chapter 7 (version 2.0).

7 Package information

In order to meet environmental requirements, ST offers these devices in different grades of ECOPACK packages, depending on their level of environmental compliance. ECOPACK specifications, grade definitions and product status *are available at* www.st.com. ECOPACK is an ST trademark.

7.1 WLCSP49 package information

Figure 34. WLCSP49 - 49-pin, 3.294 x 3.258 mm, 0.4 mm pitch wafer level chip scale package outline



A038_ME_V1

1. Drawing is not to scale.

Table 77. WLCSP49 - 49-pin, 3.294 x 3.258 mm, 0.4 mm pitch wafer level chip scale package mechanical data

| Symbol | millimeters | | | inches ⁽¹⁾ | | |
|-------------------|-------------|-------|-------|-----------------------|--------|--------|
| | Min | Typ | Max | Min | Typ | Max |
| A | 0.525 | 0.555 | 0.585 | 0.0207 | 0.0219 | 0.0230 |
| A1 | - | 0.175 | - | - | 0.0069 | - |
| A2 | - | 0.380 | - | - | 0.0150 | - |
| A3 ⁽²⁾ | - | 0.025 | - | - | 0.0010 | - |
| b ⁽³⁾ | 0.220 | 0.250 | 0.280 | 0.0087 | 0.0098 | 0.0110 |
| D | 3.259 | 3.294 | 3.329 | 0.1283 | 0.1297 | 0.1311 |
| E | 3.223 | 3.258 | 3.293 | 0.1269 | 0.1283 | 0.1296 |
| e | - | 0.400 | - | - | 0.0157 | - |
| e1 | - | 2.400 | - | - | 0.0945 | - |
| e2 | - | 2.400 | - | - | 0.0945 | - |
| F | - | 0.447 | - | - | 0.0176 | - |
| G | - | 0.429 | - | - | 0.0169 | - |
| aaa | - | - | 0.100 | - | - | 0.0039 |
| bbb | - | - | 0.100 | - | - | 0.0039 |
| ccc | - | - | 0.100 | - | - | 0.0039 |
| ddd | - | - | 0.050 | - | - | 0.0020 |
| eee | - | - | 0.050 | - | - | 0.0020 |

1. Values in inches are converted from mm and rounded to 4 decimal digits.
2. Back side coating
3. Dimension is measured at the maximum bump diameter parallel to primary datum Z.

Figure 35. WLCSP49 - 49-pin, 3.294 x 3.258 mm, 0.4 mm pitch wafer level chip scale recommended footprint

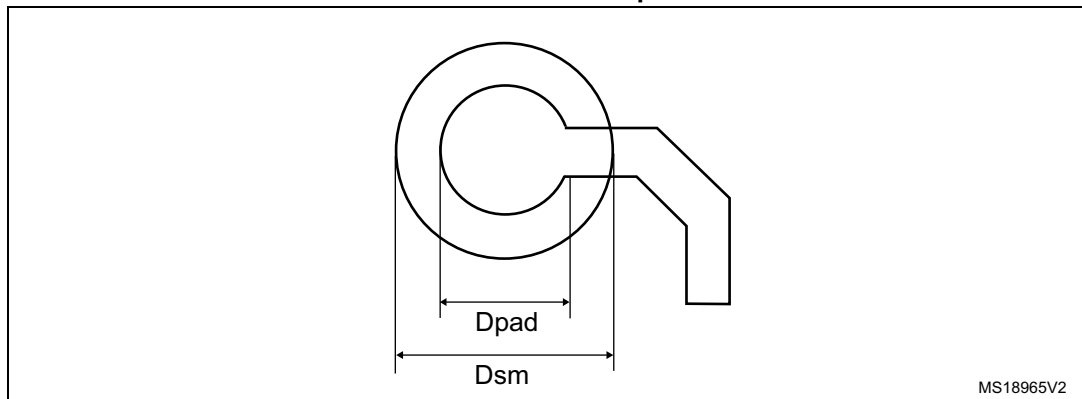


Table 78. WLCSP49 recommended PCB design rules (0.4 mm pitch)

| Dimension | Recommended values |
|----------------|--|
| Pitch | 0.4 |
| Dpad | 260 µm max. (circular) |
| | 220 µm recommended |
| Dsm | 300 µm min. (for 260 µm diameter pad) |
| PCB pad design | Non-solder mask defined via underbump allowed. |

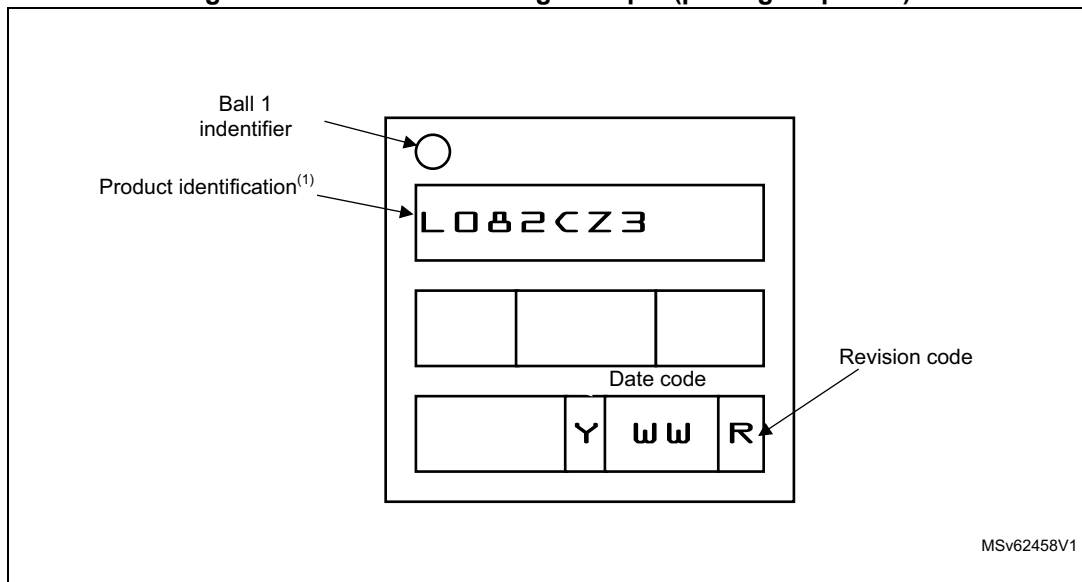
Device marking for WLCSP49

The following figure gives an example of topside marking versus ball A 1 position identifier location.

The printed markings may differ depending on the supply chain.

Other optional marking or inset/upset marks, which depend on supply chain operations, are not indicated below.

Figure 36. WLCSP49 marking example (package top view)

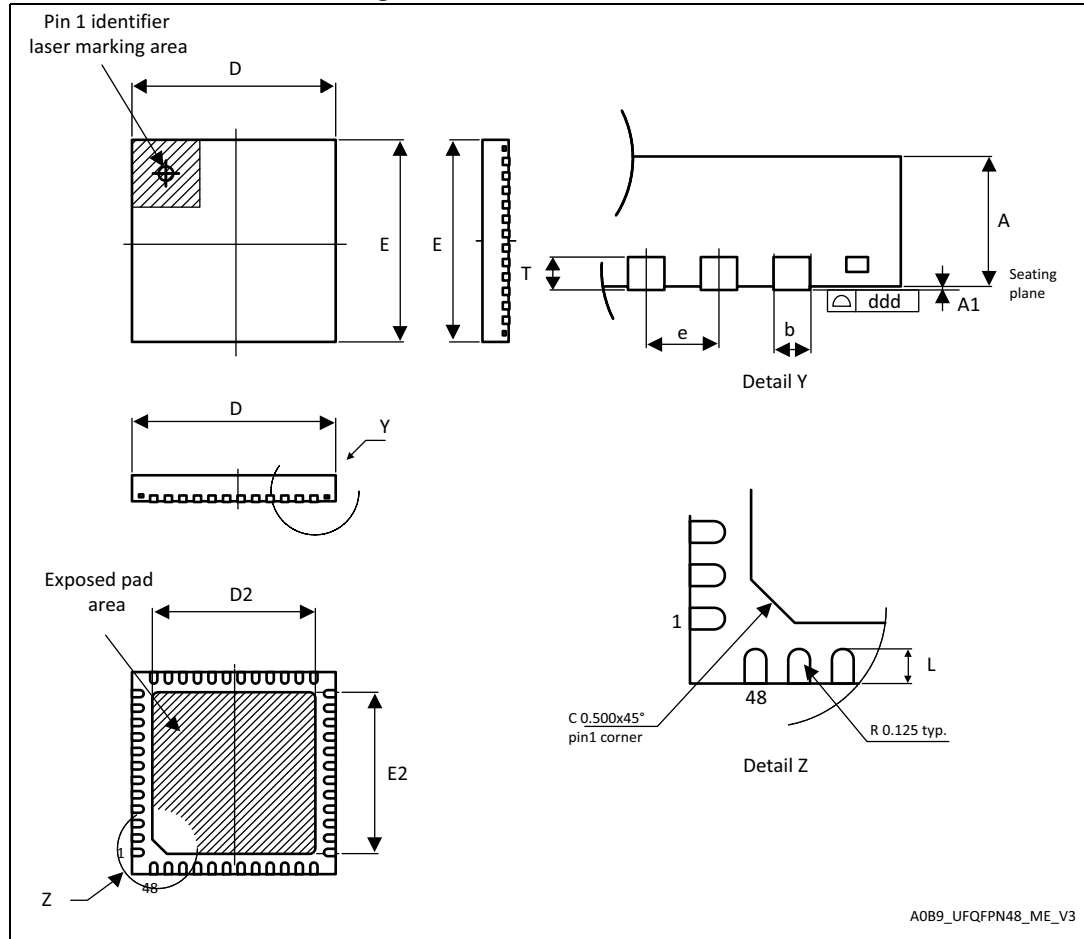


1. Parts marked as “ES”, “E” or accompanied by an Engineering Sample notification letter, are not yet qualified and therefore not approved for use in production. ST is not responsible for any consequences resulting from such use. In no event will ST be liable for the customer using any of these engineering samples in production. ST’s Quality department must be contacted prior to any decision to use these engineering samples to run a qualification activity.

7.2 UFQFPN48 package information

This UFQFPN is a 48-lead, 7 x 7 mm, 0.5 mm pitch, ultra thin fine pitch quad flat package

Figure 37. UFQFPN48 – Outline



1. Drawing is not to scale.
2. All leads/pads should also be soldered to the PCB to improve the lead/pad solder joint life.
3. There is an exposed die pad on the underside of the UFQFPN48 package. It is recommended to connect and solder this back-side pad to PCB ground.

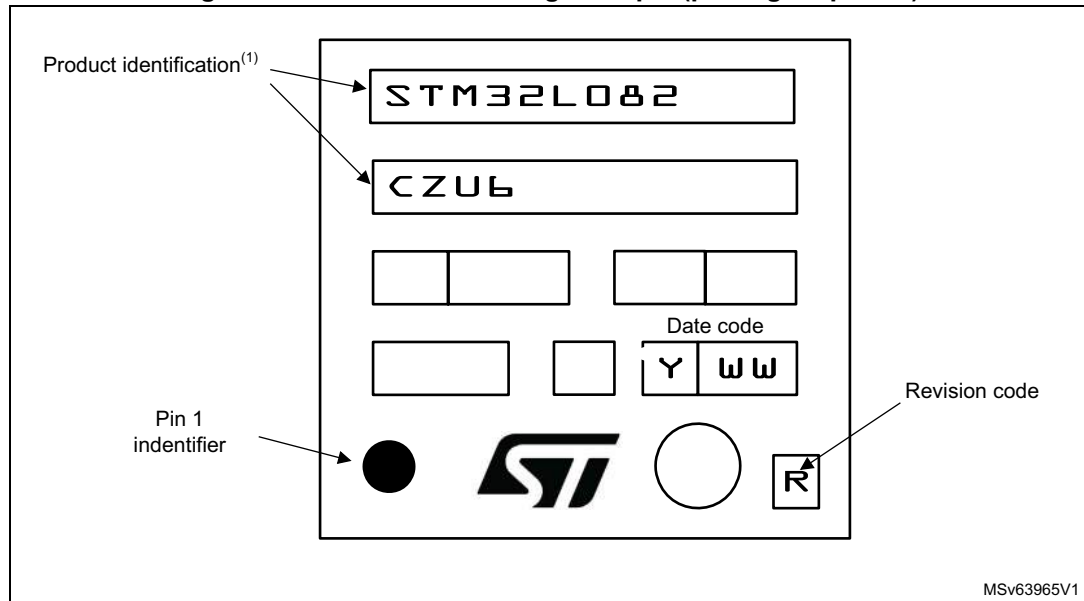
Device marking for UFQFPN48

The following figure gives an example of topside marking versus pin 1 position identifier location.

The printed markings may differ depending on the supply chain.

Other optional marking or inset/upset marks, which depend on supply chain operations, are not indicated below.

Figure 39. UFQFPN48 marking example (package top view)



1. Parts marked as “ES”, “E” or accompanied by an Engineering Sample notification letter, are not yet qualified and therefore not approved for use in production. ST is not responsible for any consequences resulting from such use. In no event will ST be liable for the customer using any of these engineering samples in production. ST’s Quality department must be contacted prior to any decision to use these engineering samples to run a qualification activity.

7.3 LQFP32 package information

This LQFP is a 32-pin, 7 x 7 mm low-profile quad flat package.

Note: See list of notes in the notes section.

Figure 40. LQFP32 – Outline⁽¹⁵⁾

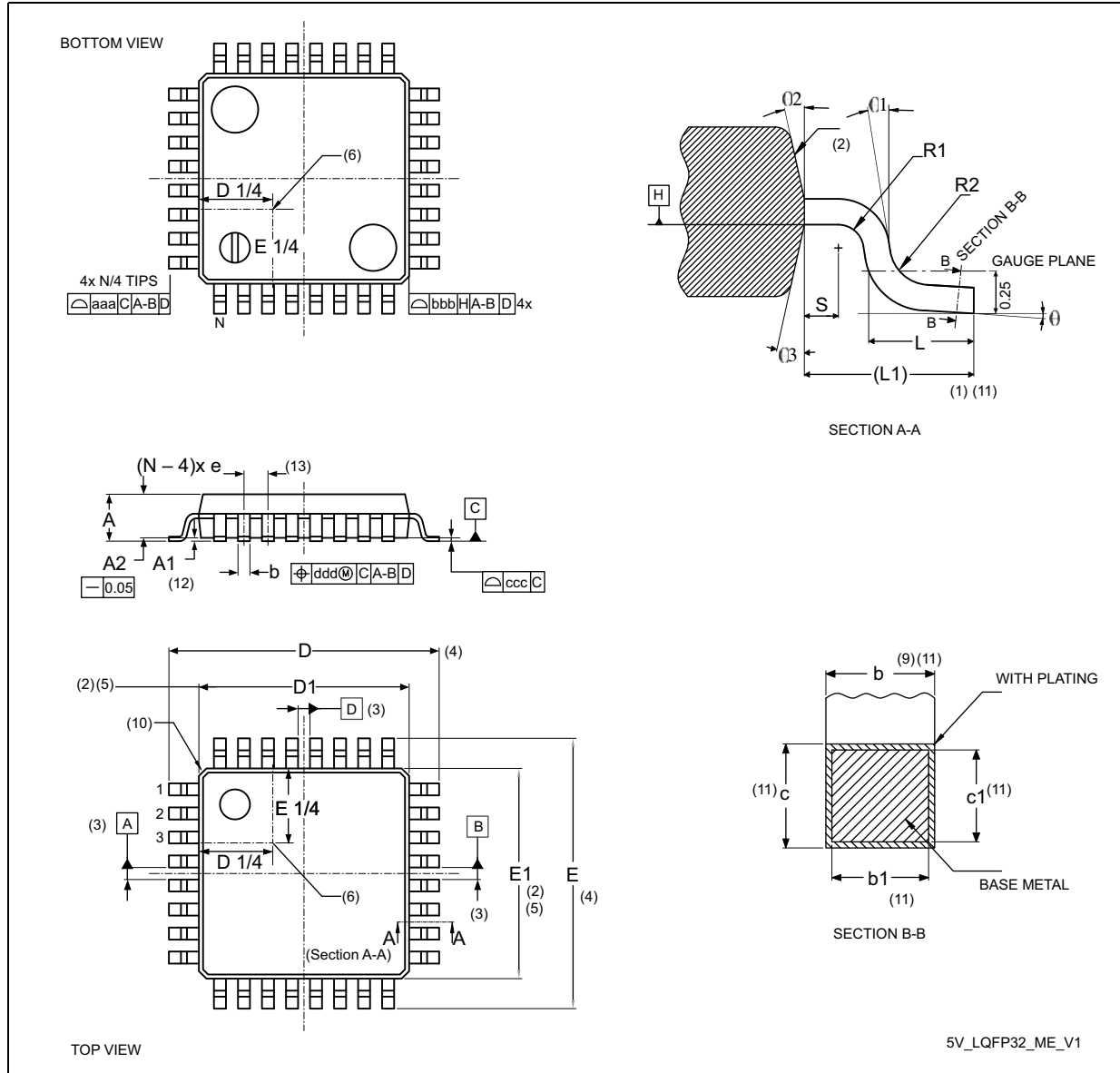


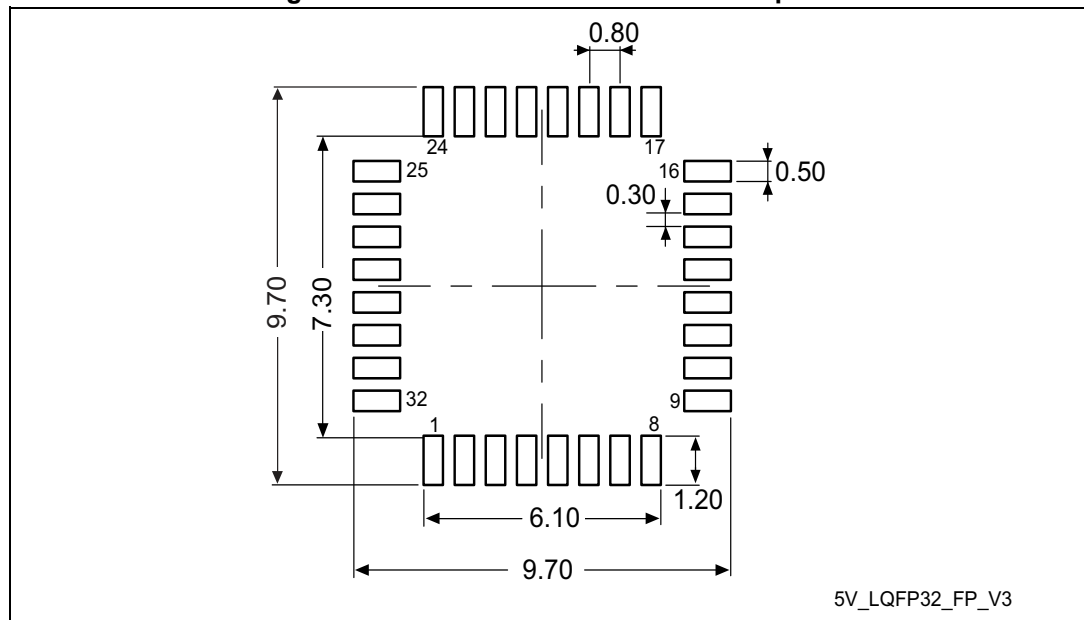
Table 80. LQFP32 – Mechanical data

| Symbol | millimeters | | | inches ⁽¹⁴⁾ | | |
|-----------------------|-------------|------|------|------------------------|--------|--------|
| | Min | Typ | Max | Min | Typ | Max |
| A | - | - | 1.60 | - | - | 0.0630 |
| A1 ⁽¹²⁾ | 0.05 | - | 0.15 | 0.002 | - | 0.0059 |
| A2 | 1.35 | 1.40 | 1.45 | 0.0531 | 0.0551 | 0.0571 |
| b ⁽⁹⁾⁽¹¹⁾ | 0.30 | 0.37 | 0.45 | 0.0118 | 0.0146 | 0.0177 |
| b1 ⁽¹¹⁾ | 0.30 | 0.35 | 0.40 | 0.0118 | 0.0128 | 0.0157 |
| c ⁽¹¹⁾ | 0.09 | - | 0.20 | 0.0035 | - | 0.0079 |
| c1 ⁽¹¹⁾ | 0.09 | - | 0.16 | 0.0035 | - | 0.0063 |
| D ⁽⁴⁾ | 9.00 BSC | | | 0.3543 BSC | | |
| D1 ⁽²⁾⁽⁵⁾ | 7.00 BSC | | | 0.2756 BSC | | |
| E ⁽⁴⁾ | 9.00 BSC | | | 0.3543 BSC | | |
| E1 ⁽²⁾⁽⁵⁾ | 7.00 BSC | | | 0.2756 BSC | | |
| e | 0.80 BSC | | | 0.0315 BSC | | |
| L | 0.45 | 0.60 | 0.75 | 0.0177 | 0.0236 | 0.0295 |
| L1 | 1.00 REF | | | 0.0394 REF | | |
| N ⁽¹³⁾ | 32 | | | | | |
| θ | 0° | 3.5° | 7° | 0° | 3.5° | 7° |
| θ1 | 0° | - | - | 0° | - | - |
| θ2 | 11° | 12° | 13° | 11° | 12° | 13° |
| θ3 | 11° | 12° | 13° | 11° | 12° | 13° |
| R1 | 0.08 | - | - | 0.0031 | - | - |
| R2 | 0.08 | - | 0.20 | 0.0031 | - | 0.0079 |
| S | 0.20 | - | - | 0.0079 | - | - |
| aaa ⁽¹⁾⁽⁷⁾ | 0.20 | | | 0.0079 | | |
| bbb ⁽¹⁾⁽⁷⁾ | 0.20 | | | 0.0079 | | |
| ccc ⁽¹⁾⁽⁷⁾ | 0.10 | | | 0.0039 | | |
| ddd ⁽¹⁾⁽⁷⁾ | 0.20 | | | 0.0079 | | |

Notes:

1. Dimensioning and tolerancing schemes conform to ASME Y14.5M-1994.
2. The Top package body size may be smaller than the bottom package size by as much as 0.15 mm.
3. Datums A-B and D to be determined at datum plane H.
4. To be determined at seating datum plane C.
5. Dimensions D1 and E1 do not include mold flash or protrusions. Allowable mold flash or protrusions is "0.25 mm" per side. D1 and E1 are Maximum plastic body size dimensions including mold mismatch.
6. Details of pin 1 identifier are optional but must be located within the zone indicated.
7. All Dimensions are in millimeters.
8. No intrusion allowed inwards the leads.
9. Dimension "b" does not include dambar protrusion. Allowable dambar protrusion shall not cause the lead width to exceed the maximum "b" dimension by more than 0.08 mm. Dambar cannot be located on the lower radius or the foot. Minimum space between protrusion and an adjacent lead is 0.07 mm for 0.4 mm and 0.5 mm pitch packages.
10. Exact shape of each corner is optional.
11. These dimensions apply to the flat section of the lead between 0.10 mm and 0.25 mm from the lead tip.
12. A1 is defined as the distance from the seating plane to the lowest point on the package body.
13. "N" is the number of terminal positions for the specified body size.
14. Values in inches are converted from mm and rounded to 4 decimal digits.
15. Drawing is not to scale.

Figure 41. LQFP32 – Recommended footprint



1. Dimensions are expressed in millimeters.

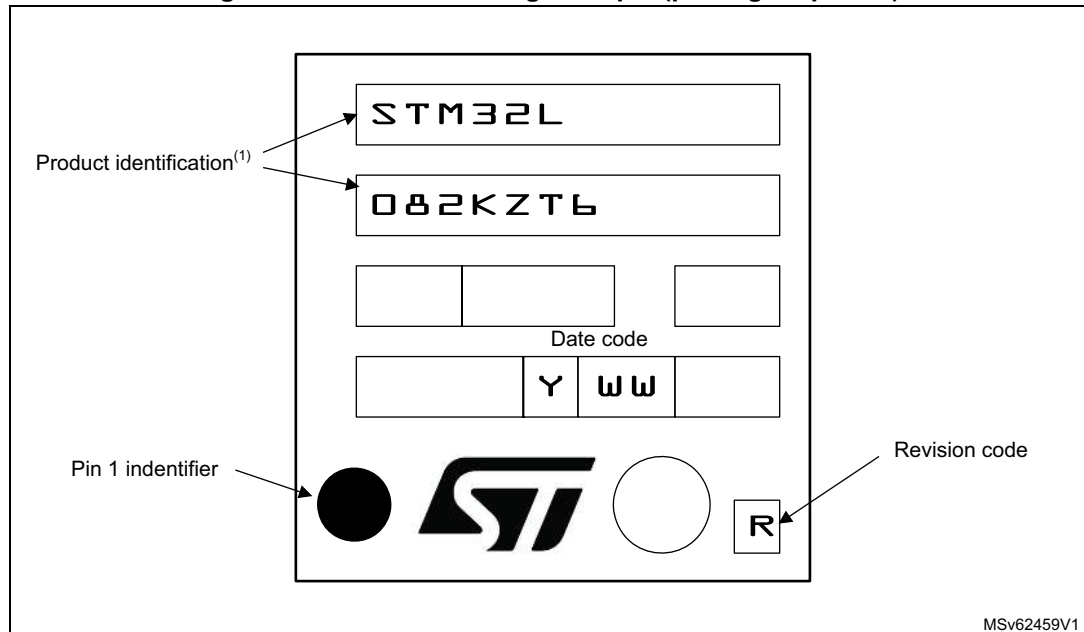
Device marking for LQFP32

The following figure gives an example of topside marking versus pin 1 position identifier location.

The printed markings may differ depending on the supply chain.

Other optional marking or inset/upset marks, which depend on supply chain operations, are not indicated below.

Figure 42. LQFP32 marking example (package top view)

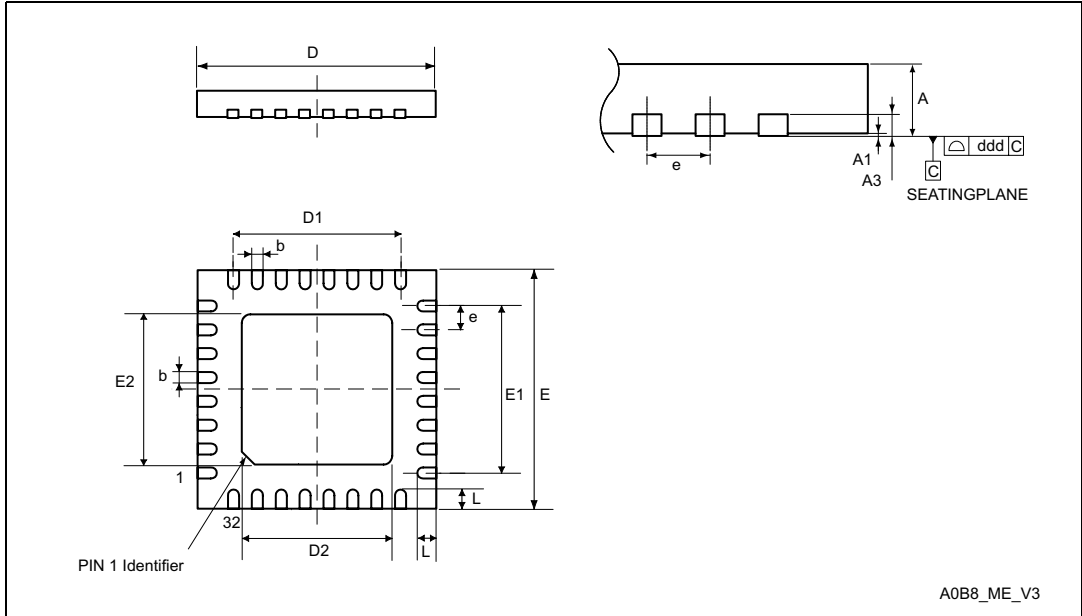


1. Parts marked as "ES", "E" or accompanied by an Engineering Sample notification letter, are not yet qualified and therefore not approved for use in production. ST is not responsible for any consequences resulting from such use. In no event will ST be liable for the customer using any of these engineering samples in production. ST's Quality department must be contacted prior to any decision to use these engineering samples to run a qualification activity.

7.4 UFQFPN32 package information

This UFQFPN is a 32 pins, 5 x 5 mm, 0.5 mm pitch ultra thin fine pitch quad flat package.

Figure 43. UFQFPN32 – Outline



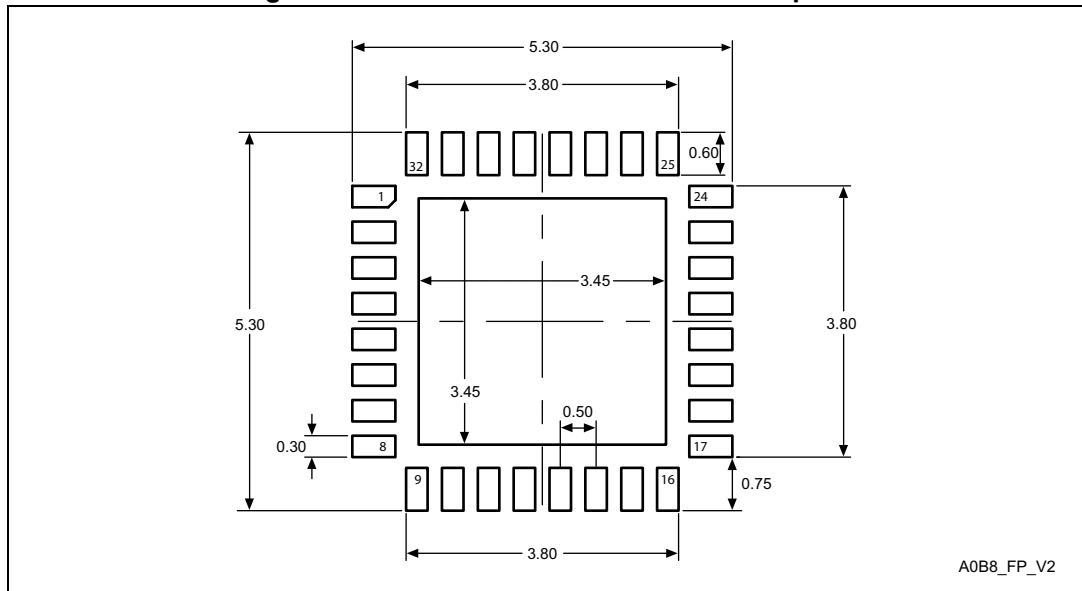
1. Drawing is not to scale.

Table 81. UFQFPN32 – Mechanical data

| Symbol | millimeters | | | inches ⁽¹⁾ | | |
|------------------|-------------|-------|-------|-----------------------|--------|--------|
| | Min | Typ | Max | Min | Typ | Max |
| A | 0.500 | 0.550 | 0.600 | 0.0197 | 0.0217 | 0.0236 |
| A1 | 0.000 | 0.020 | 0.050 | 0.000 | 0.0007 | 0.0020 |
| A3 | - | 0.152 | - | - | 0.0060 | - |
| b | 0.180 | 0.230 | 0.280 | 0.0071 | 0.0091 | 0.0110 |
| D ⁽²⁾ | 4.900 | 5.000 | 5.100 | 0.1929 | 0.1969 | 0.2008 |
| D1 | 3.400 | 3.500 | 3.600 | 0.1339 | 0.1378 | 0.1417 |
| D2 | 3.400 | 3.500 | 3.600 | 0.1339 | 0.1378 | 0.1417 |
| E ⁽²⁾ | 4.900 | 5.000 | 5.100 | 0.1929 | 0.1969 | 0.2008 |
| E1 | 3.400 | 3.500 | 3.600 | 0.1339 | 0.1378 | 0.1417 |
| E2 | 3.400 | 3.500 | 3.600 | 0.1339 | 0.1378 | 0.1417 |
| e | - | 0.500 | - | - | 0.0197 | - |
| L | 0.300 | 0.400 | 0.500 | 0.0118 | 0.0157 | 0.0197 |
| ddd | - | - | 0.080 | - | - | 0.0031 |

1. Values in inches are converted from mm and rounded to 4 decimal digits.
2. Dimensions D and E do not include mold protrusion, not to exceed 0.15 mm.

Figure 44. UFQFPN32 – Recommended footprint



1. Dimensions are expressed in millimeters.

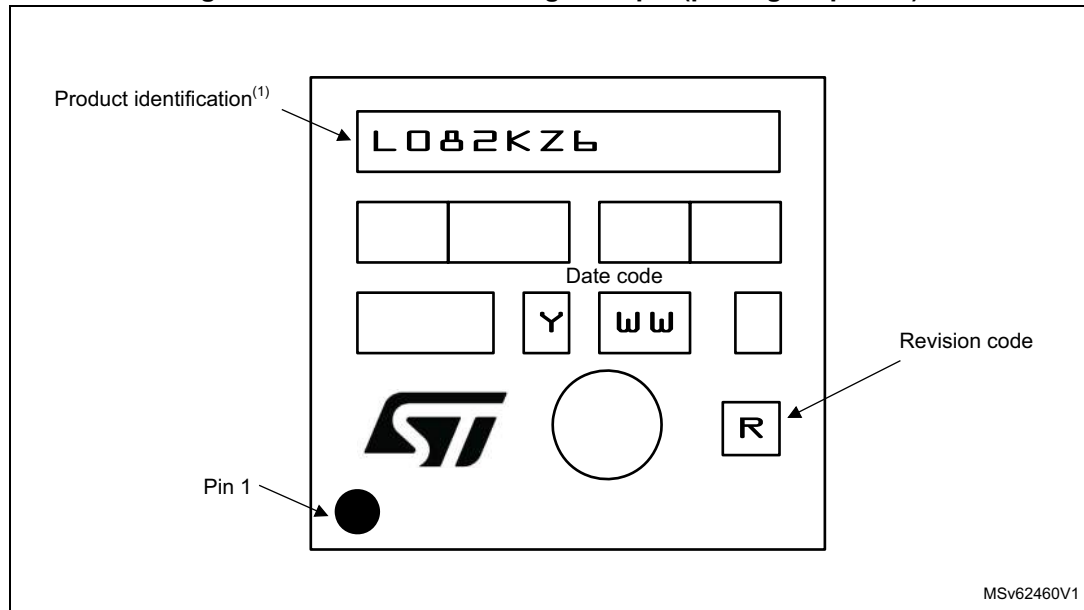
Device marking for UFQFPN32

The following figure gives an example of topside marking versus pin 1 position identifier location.

The printed markings may differ depending on the supply chain.

Other optional marking or inset/upset marks, which depend on supply chain operations, are not indicated below.

Figure 45. UFQFPN32 marking example (package top view)



1. Parts marked as "ES", "E" or accompanied by an Engineering Sample notification letter, are not yet qualified and therefore not approved for use in production. ST is not responsible for any consequences resulting from such use. In no event will ST be liable for the customer using any of these engineering samples in production. ST's Quality department must be contacted prior to any decision to use these engineering samples to run a qualification activity.

7.5 Thermal characteristics

The maximum chip-junction temperature, $T_J \text{ max}$, in degrees Celsius, may be calculated using the following equation:

$$T_J \text{ max} = T_A \text{ max} + (P_D \text{ max} \times \Theta_{JA})$$

Where:

- $T_A \text{ max}$ is the maximum ambient temperature in °C,
- Θ_{JA} is the package junction-to-ambient thermal resistance, in °C/W,
- $P_D \text{ max}$ is the sum of $P_{INT} \text{ max}$ and $P_{I/O} \text{ max}$ ($P_D \text{ max} = P_{INT} \text{ max} + P_{I/O} \text{ max}$),
- $P_{INT} \text{ max}$ is the product of I_{DD} and V_{DD} , expressed in Watts. This is the maximum chip internal power.

$P_{I/O} \text{ max}$ represents the maximum power dissipation on output pins where:

$$P_{I/O} \text{ max} = \Sigma (V_{OL} \times I_{OL}) + \Sigma (V_{DD} - V_{OH}) \times I_{OH},$$

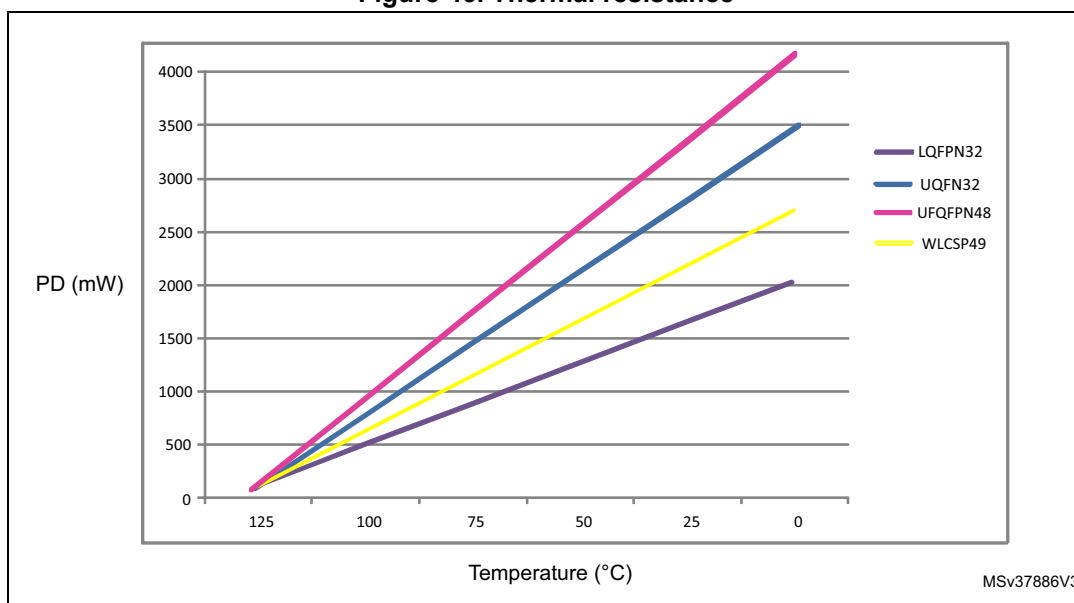
taking into account the actual V_{OL} / I_{OL} and V_{OH} / I_{OH} of the I/Os at low and high level in the application.

Table 82. Thermal characteristics⁽¹⁾

| Symbol | Parameter | Value | Unit |
|---------------|--|-------|------|
| Θ_{JA} | Thermal resistance junction-ambient UFQFPN32 - 5 x 5 mm / 0.5 mm pitch | 36 | °C/W |
| | Thermal resistance junction-ambient LQFP32 - 7 x 7 mm / 0.8 mm pitch | 60 | |
| | Thermal resistance junction-ambient UFQFPN48 - 7 x 7 mm / 0.5 mm pitch | 28 | |
| | Thermal resistance junction-ambient WLCSP49 - 0.4 mm pitch | 48 | |

1. TBD stands for "to be defined".

Figure 46. Thermal resistance



7.5.1 Reference document

JESD51-2 Integrated Circuits Thermal Test Method Environment Conditions - Natural Convection (Still Air). Available from www.jedec.org.

8 Ordering information

| Example: | STM32 | L | 082 | K | Z | U | 6 | D | TR |
|-------------------|--|---|-----|---|---|---|---|---|----|
| Device family | <div style="display: flex; justify-content: space-between; border-bottom: 1px solid black; padding-bottom: 5px;"> STM32 = Arm-based 32-bit microcontroller L = Low power 082 = USB + AES K = 32 pins C = 48/49 pins Z = 192 Kbytes T = LQFP U = UFQFPN Y = Standard WLCSP 6 = Industrial temperature range, -40 to 85 °C 7 = Industrial temperature range, -40 to 105 °C 3 = Industrial temperature range, -40 to 125 °C No character = V_{DD} range: 1.8 to 3.6 V and BOR enabled D = V_{DD} range: 1.65 to 3.6 V and BOR disabled TR = tape and reel No character = tray or tube </div> | | | | | | | | |
| Product type | | | | | | | | | |
| Device subfamily | | | | | | | | | |
| Pin count | | | | | | | | | |
| Flash memory size | | | | | | | | | |
| Package | | | | | | | | | |
| Temperature range | | | | | | | | | |
| Options | | | | | | | | | |
| Packing | | | | | | | | | |
| | | | | | | | | | |

For a list of available options (speed, package, etc.) or for further information on any aspect of this device, please contact your nearest ST sales office.

9 Important security notice

The STMicroelectronics group of companies (ST) places a high value on product security, which is why the ST product(s) identified in this documentation may be certified by various security certification bodies and/or may implement our own security measures as set forth herein. However, no level of security certification and/or built-in security measures can guarantee that ST products are resistant to all forms of attacks. As such, it is the responsibility of each of ST's customers to determine if the level of security provided in an ST product meets the customer needs both in relation to the ST product alone, as well as when combined with other components and/or software for the customer end product or application. In particular, take note that:

- ST products may have been certified by one or more security certification bodies, such as Platform Security Architecture (www.psacertified.org) and/or Security Evaluation standard for IoT Platforms (www.trustcb.com). For details concerning whether the ST product(s) referenced herein have received security certification along with the level and current status of such certification, either visit the relevant certification standards website or go to the relevant product page on www.st.com for the most up to date information. As the status and/or level of security certification for an ST product can change from time to time, customers should re-check security certification status/level as needed. If an ST product is not shown to be certified under a particular security standard, customers should not assume it is certified.
- Certification bodies have the right to evaluate, grant and revoke security certification in relation to ST products. These certification bodies are therefore independently responsible for granting or revoking security certification for an ST product, and ST does not take any responsibility for mistakes, evaluations, assessments, testing, or other activity carried out by the certification body with respect to any ST product.
- Industry-based cryptographic algorithms (such as AES, DES, or MD5) and other open standard technologies which may be used in conjunction with an ST product are based on standards which were not developed by ST. ST does not take responsibility for any flaws in such cryptographic algorithms or open technologies or for any methods which have been or may be developed to bypass, decrypt or crack such algorithms or technologies.
- While robust security testing may be done, no level of certification can absolutely guarantee protections against all attacks, including, for example, against advanced attacks which have not been tested for, against new or unidentified forms of attack, or against any form of attack when using an ST product outside of its specification or intended use, or in conjunction with other components or software which are used by customer to create their end product or application. ST is not responsible for resistance against such attacks. As such, regardless of the incorporated security features and/or any information or support that may be provided by ST, each customer is solely responsible for determining if the level of attacks tested for meets their needs, both in relation to the ST product alone and when incorporated into a customer end product or application.
- All security features of ST products (inclusive of any hardware, software, documentation, and the like), including but not limited to any enhanced security features added by ST, are provided on an "AS IS" BASIS. AS SUCH, TO THE EXTENT PERMITTED BY APPLICABLE LAW, ST DISCLAIMS ALL WARRANTIES, EXPRESS OR IMPLIED, INCLUDING BUT NOT LIMITED TO THE IMPLIED WARRANTIES OF MERCHANTABILITY OR FITNESS FOR A PARTICULAR PURPOSE, unless the applicable written and signed contract terms specifically provide otherwise.

10 Revision history

Table 83. Document revision history

| Date | Revision | Changes |
|-------------|----------|--|
| 02-Sep-2015 | 1 | Initial release |
| 23-Oct-2015 | 2 | <p>Changed confidentiality level to public.</p> <p>Updated datasheet status to “production data”.</p> <p>Modified ultra-low-power platform features on cover page.</p> <p>Changed number of ADC channels to 10.</p> <p>Removed LCD alternate functions and added note related to UFQFPN32 in Table 15: STM32L082xx pin definition. Added PA15 in Table 16: Alternate functions port A and PB3 in Table 17: Alternate functions port B.</p> <p>In Section 6: Electrical characteristics, updated notes related to values guaranteed by characterization.</p> <p>Updated f_{TRIG} in Table 61: ADC characteristics.</p> |
| 24-Mar-2016 | 3 | <p>Updated number of SPIs on cover page and in Table 1: Ultra-low-power STM32L082xx device features and peripheral counts.</p> <p>Changed minimum comparator supply voltage to 1.65 V on cover page. Added minimum DAC supply voltage on cover page.</p> <p>Added number of fast and standard channels in Section 3.11: Analog-to-digital converter (ADC).</p> <p>Updated Section 3.18.2: Universal synchronous/asynchronous receiver transmitter (USART) and Section 3.18.4: Serial peripheral interface (SPI)/Inter-integrated sound (I2S) to mention the fact that USARTs with synchronous mode feature can be used as SPI master interfaces.</p> <p>Added baudrate allowing to wake up the MCU from Stop mode in Section 3.18.2: Universal synchronous/asynchronous receiver transmitter (USART) and Section 3.18.3: Low-power universal asynchronous receiver transmitter (LPUART).</p> <p>Section 6.3.15: 12-bit ADC characteristics:</p> <ul style="list-style-type: none"> – Table 61: ADC characteristics: Distinction made between V_{DDA} for fast and standard channels; added note 1. Added note 4, related to R_{ADC}. Updated f_{TRIG}. Updated t_S and t_{CONV}. – Updated equation 1 description. – Updated Table 62: R_{AIN} max for $f_{ADC} = 16$ MHz for $f_{ADC} = 16$ MHz and distinction made between fast and standard channels. <p>Updated R_O and added Note 2, in Table 64: DAC characteristics.</p> <p>Added Table 71: USART/LPUART characteristics.</p> |
| 03-May-2016 | 4 | Added WLCSP49 package, STM32L082CZ part number and corresponding features. |

Table 83. Document revision history (continued)

| Date | Revision | Changes |
|-------------|----------|--|
| 14-Sep-2017 | 5 | <p>Memories and I/Os moved after Core in Features. Table 1: Ultra-low-power STM32L082xx device features and peripheral counts: changed number of USART for LQFP32/UFQFPN32 and added note 3. Removed column "I/O operation" from Table 2: Functionalities depending on the operating power supply range and added note related to GPIO speed. Updated V_{DD_USB} in Section 3.4.1: Power supply schemes. In Section 4: Pin descriptions, renamed USB_OE into USB_NOE. In Section 5: Memory mapping, replaced memory mapping schematic by reference to the reference manual. Updated Figure 3: STM32L082xx WLCSP49 ballout Added mission profile compliance with JEDEC JESD47 in Section 6.2: Absolute maximum ratings.</p> <p>Updated minimum and maximum values of I/O weak pull-up equivalent resistor (R_{PU}) and weak pull-down equivalent resistor (R_{PD}) in Table 57: I/O static characteristics. Updated minimum and maximum values of NRST weak pull-up equivalent resistor (R_{PU}) in Table 60: NRST pin characteristics. Added note 2. related to the position of the external capacitor below Figure 24: Recommended NRST pin protection. Updated R_{AIN} in Table 61: ADC characteristics. Updated Figure 29: 12-bit buffered/non-buffered DAC and added note below figure. Updated t_{AF} maximum value for range 1 in Table 70: I2C analog filter characteristics. Removed Table 90: USART/LPUART characteristics. NSS timing waveforms updated in Figure 30: SPI timing diagram - slave mode and CPHA = 0 and Figure 31: SPI timing diagram - slave mode and CPHA = 1⁽¹⁾.</p> <p>Added reference to optional marking or inset/upset marks in all package device marking sections. Updated note below marking schematics.</p> |

Table 83. Document revision history (continued)

| Date | Revision | Changes |
|-------------|----------|--|
| 14-Nov-2019 | 6 | <p>Added UFQFPN48 package.</p> <p>Updated Arm logo and added Arm word mark notice in Section 1: Introduction.</p> <p>Removed Cortex logo.</p> <p>Updated Table 4: Functionalities depending on the working mode (from Run/active down to standby) to change I2C functionality to disabled in Low-power Run and Low-power Sleep modes.</p> <p>Updated V_{DD_USB} description in Section 3.4.1: Power supply schemes.</p> <p>Changed PC14-OSC_IN into PC14-OSC32_IN in Figure 6: STM32L082xx UFQFPN32 pinout. Changed USARTx_RTS, USARTx_RTS_DE into USARTx_RTS/USARTx_DE, and LPUART1_RTS, LPUART1_RTS_DE into LPUART1_RTS/LPUART1_DE in Section 4: Pin descriptions and in all alternate function tables.</p> <p>Updated V_{DD_USB} and note 2. in Table 23: General operating conditions.</p> <p>Removed R_{10K} and R_{400K} from Table 67: Comparator 1 characteristics.</p> <p>Updated t_{AF} maximum value for range 1 in Table 70: I2C analog filter characteristics.</p> <p>Updated paragraph introducing all package marking schematics to add the new sentence “The printed markings may differ depending on the supply chain”.</p> <p>Added WLCSP49 package marking example.</p> <p>Updated Figure 43: UFQFPN32 – Outline and added note related to exposed pad; updated Table 81: UFQFPN32 – Mechanical data.</p> <p>Added LQFP32, UFQFPN32 package marking examples.</p> |

Table 83. Document revision history (continued)

| Date | Revision | Changes |
|-------------|----------|---|
| 06-Oct-2022 | 7 | <p>Added indication that patents apply to the devices in Section : Features.</p> <p>Added reference to the device errata sheet in Section 1: Introduction.</p> <p>Added note on reduced touch sensing sensitivity on PA4 and PA5 in Table 15: STM32L082xx pin definition.</p> <p>Replaced STM32L072xxx by STM32L082xxx in Table 15 title.</p> <p>Added recommendations of GPIO low- and high-level voltages in Section 6.3.13: I/O port characteristics.</p> <p>Added $t_{WUUSART}$ and $t_{WULPUART}$ in Table 39: Low-power mode wakeup timings.</p> <p>Updated V_{HSEH} and V_{HSEL} characteristics in Table 40: High-speed external user clock characteristics, as well as V_{LSEH} and V_{LSEL} characteristics in Table 41: Low-speed external user clock characteristics.</p> <p>Updated Table 53: EMI characteristics for fHCLK = 32 MHz.</p> <p>Updated Figure 23: I/O AC characteristics definition.</p> <p>Updated Figure 25: ADC accuracy characteristics and Figure 26: Typical connection diagram using the ADC.</p> <p>Updated Section 7.2: UFQFPN48 package information, Section 7.3: LQFP32 package information and Section 7.4: UFQFPN32 package information.</p> <p>Added Section 9: Important security notice.</p> <p>Corrected revision 2 date.</p> |

IMPORTANT NOTICE – PLEASE READ CAREFULLY

STMicroelectronics NV and its subsidiaries (“ST”) reserve the right to make changes, corrections, enhancements, modifications, and improvements to ST products and/or to this document at any time without notice. Purchasers should obtain the latest relevant information on ST products before placing orders. ST products are sold pursuant to ST’s terms and conditions of sale in place at the time of order acknowledgement.

Purchasers are solely responsible for the choice, selection, and use of ST products and ST assumes no liability for application assistance or the design of Purchasers’ products.

No license, express or implied, to any intellectual property right is granted by ST herein.

Resale of ST products with provisions different from the information set forth herein shall void any warranty granted by ST for such product.

ST and the ST logo are trademarks of ST. For additional information about ST trademarks, please refer to www.st.com/trademarks. All other product or service names are the property of their respective owners.

Information in this document supersedes and replaces information previously supplied in any prior versions of this document.

© 2022 STMicroelectronics – All rights reserved