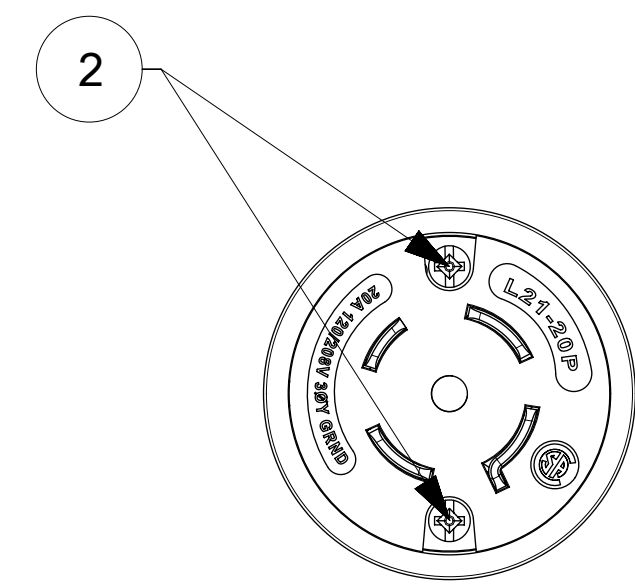
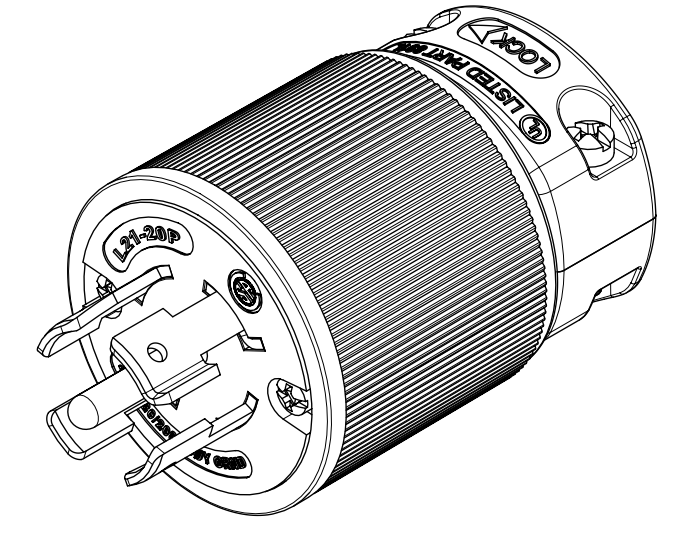
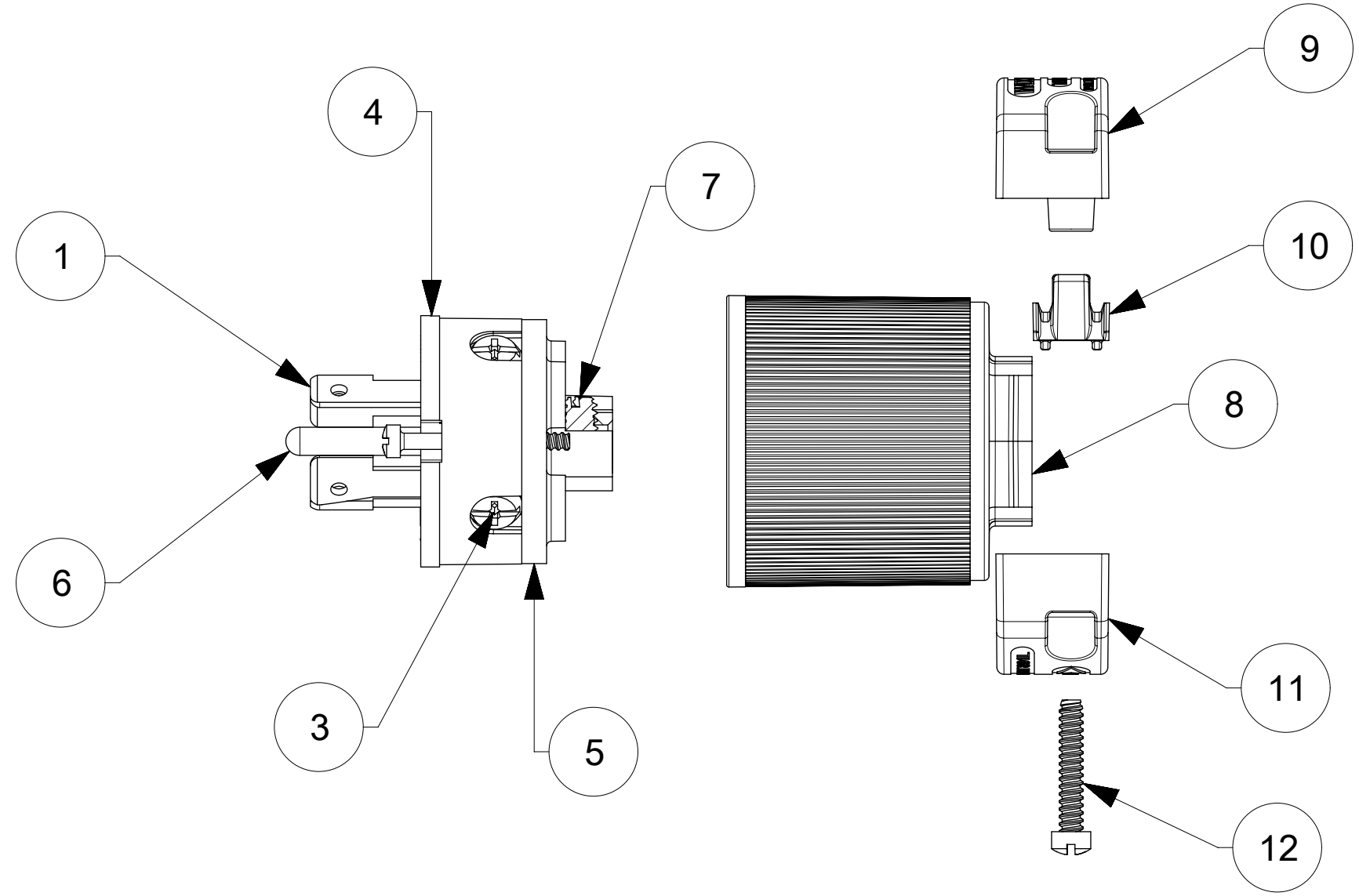
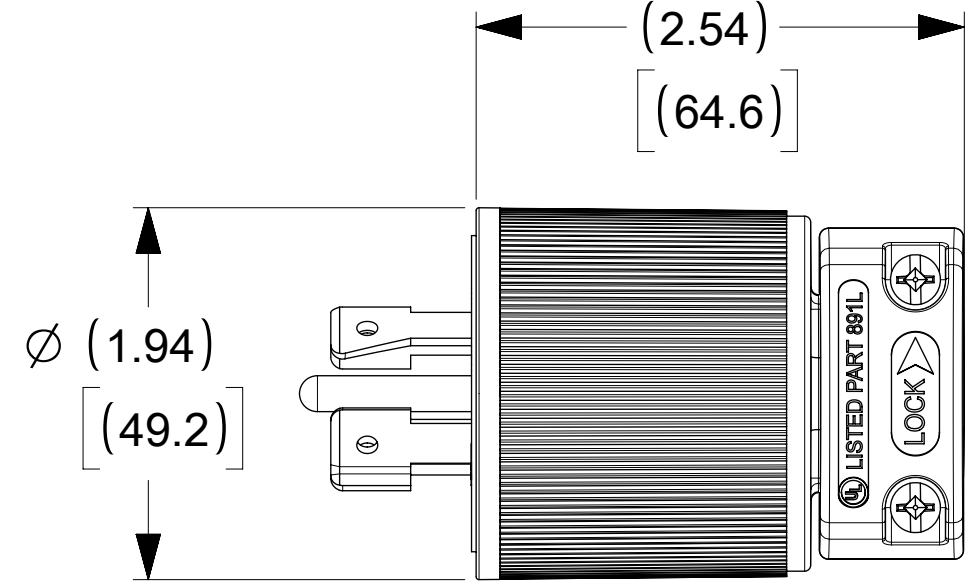


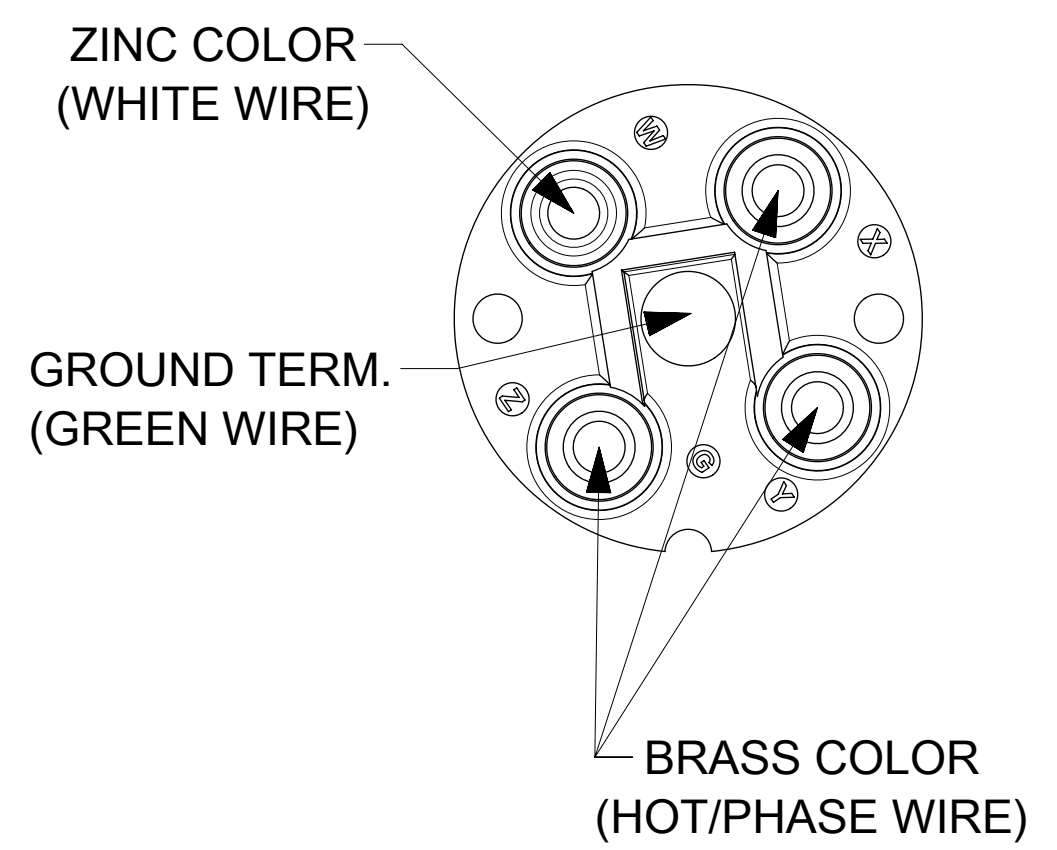
ORDER NO.	WOODHEAD NO.	COLOR
130145-0021	26T81	BLACK
130145-0022	26T81YL	YELLOW



FACE VIEW



WIRING TERMINATION



ITEM NO.	DESCRIPTIONS	MATERIAL	QTY.
1	BLADES	BRASS, NICKEL PLATED	4
2	RETAINING SCREWS	STAINLESS STEEL	2
3	TERMINAL SCREWS/CLAMP ASSEMBLY	BRASS, ZINC PLATED	4
4	INSERT	NYLON	1
5	TERMINAL COVER	POLYCARBONATE	1
6	GROUND PIN	BRASS, NICKEL PLATED	1
7	SET SCREW	STAINLESS STEEL	1
8	HOUSING	NYLON	1
9	CLAMP CORD MALE	NYLON	1
10	CLAMP CORD INSERT	NYLON	1
11	CLAMP CORD FEMALE	NYLON	1
12	RETAINING SCREWS	STAINLESS STEEL	2

SYMBOLS DIMENSION UNITS: INCH NTS SCALE: NTS CURRENT REV DESC: NEW RELEASE		<b>molex</b> SAFEWAY PLUG TURNEX 4P5W L21-20	
GENERAL TOLERANCES (UNLESS SPECIFIED) 4 PLACES ± 3 PLACES ± 2 PLACES ± 1 PLACE ± 0 PLACES ±		EC NO: 621329 DRWN: VBASUTHKARP 2019/02/18 CHK'D: VBASUTHKARP 2020/01/17 APPR: HKNEELAND 2020/08/27	
INITIAL REVISION: DRWN: VBASUTHKARP 2019/02/18 APPR: HKNEELAND 2020/08/27		PRODUCT CUSTOMER DRAWING DOCUMENT NUMBER: 1301450021 DOC TYPE: PSD DOC PART: 000 REVISION: A	
ANGULAR TOL ± ° DRAFT WHERE APPLICABLE MUST REMAIN WITHIN DIMENSIONS		MATERIAL NUMBER: SEE TABLE CUSTOMER: GENERAL MARKET SHEET NUMBER: 1 OF 1	