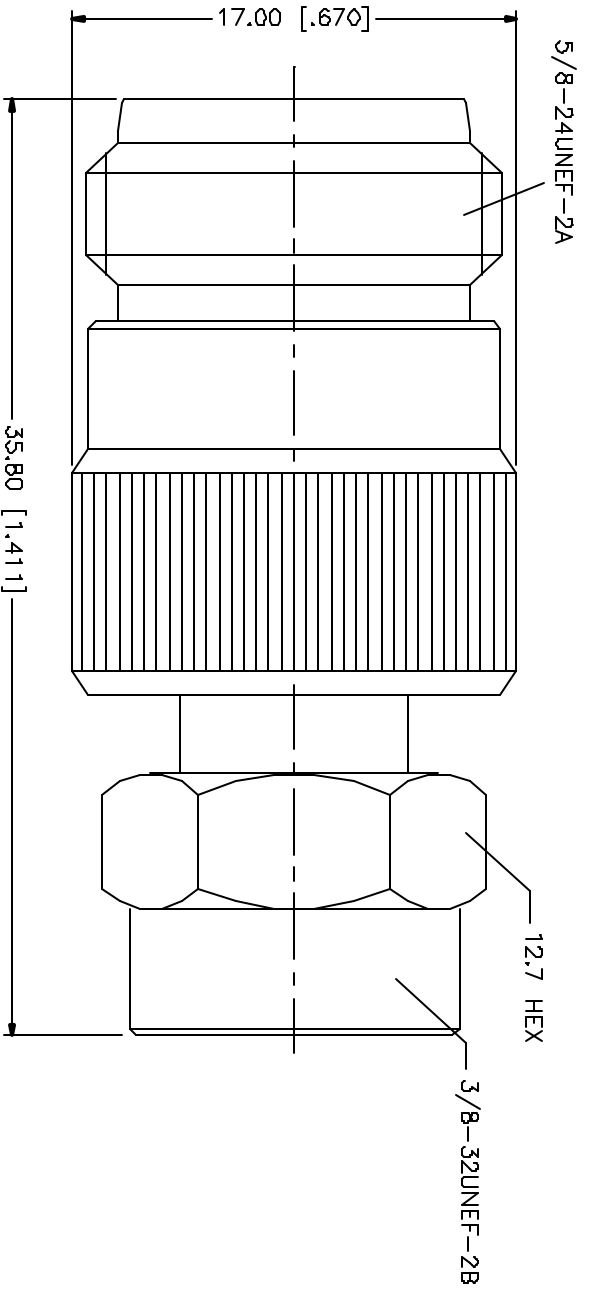


REV.	DATE	DESCRIPTION
A	03/27/05	UPDATE DRAWING FORMAT



NO.	DESCRIPTION	MATERIAL	FINISH	QTY	DO NOT SCALE DRAWING	APPROVALS	DATE	PART DESCRIPTION	DWG. NO.	REV.	QTY	SCALE
8								Amphenol Connex N FEMALE TO F MALE ADAPTER (WATERPROOF) 242152	242152.DWG	A	A	NA
7												
6												
5	GASKET	SILICONE	BLACK	1								
3	CONTACT PIN	PHOS. BRONZE	ROLD	1								
2	INSULATOR	TEFLON	NATURAL	1								
1	BODY	BRASS	NICKEL	1								
	DESCRIPTION	MATERIAL	FINISH	QTY								

UNLESS OTHERWISE SPECIFIED DIMENSIONS ARE IN MILLIMETERS. DIMENSIONS IN [] ARE IN INCHES AND FOR CUSTOMER REFERENCE ONLY. TOLERANCES FOR MILLIMETERS ARE:
 0.5 - 30mm ± 0.20mm
 30 - 120mm ± 0.40mm
 120 - 300mm ± 0.50mm
 UNLESS OTHERWISE SPECIFIED DIMENSIONS FOR INCHES ARE:
 .020 - .315 = ± 0.0075"
 .315 - 1.180 = ± 0.015"
 1.180 - 4.724 = ± 0.020"

APPROVALS	DATE
DRAWN G.R.S.	03/27/05
CHECKED	
ISSUED	
SHEET 1 OF 1	

DWG. FILE C:/242/242152.DWG
 DWG. NO. 242152.DWG
 REV. A
 QTY A
 SCALE NA