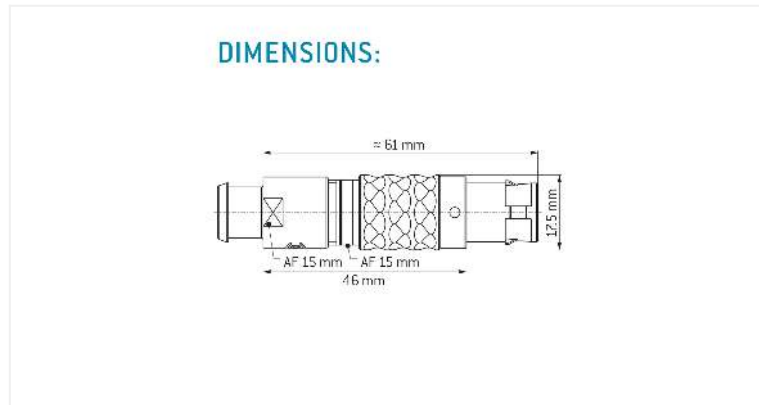
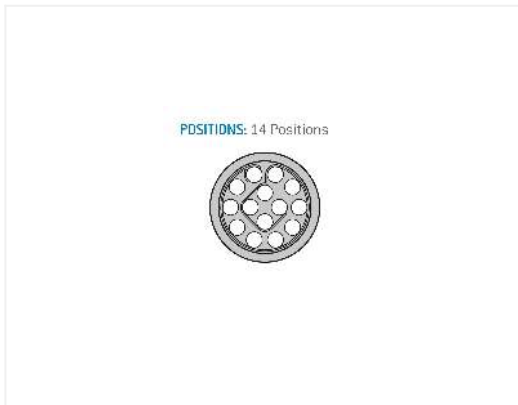


S23LCC-P14PJG0-720S
series_I, type_s2



General information

Part number	S23LCC-P14PJG0-720S
Termination	crimp
Size	3
Locking principle	push
Coding	c_key
Cable Diameter	cable_mini_72
Cable outlet	bend_relief



Contact insert description

Number of contacts	14
Contact type	pins
Contact diameter	09mm
Insulator material	peek
Wire cross section	22-26_awg
Termination	crimp

reverse_gender_on_request

Technical information

Max. creepage and air clearance distance	11_mm	13_mm
Nominal current single contact	075_a	iec_60512_5_2
Nominal current insert	3,75 A	vde_0298_4
Test voltage	135_kv_ac	sae_13441

safety_text

Mechanical and environmental data

Degree of protection*	ip50
-----------------------	------

Operating temperature	40_120_c
-----------------------	----------

Mating cycles	5000
---------------	------

mated_unmated

Material and surface treatments

Housing	m_chrome
---------	----------

Contact	cu_alloy_gold
---------	---------------

safety_text_2

ul_text

illustrative_text