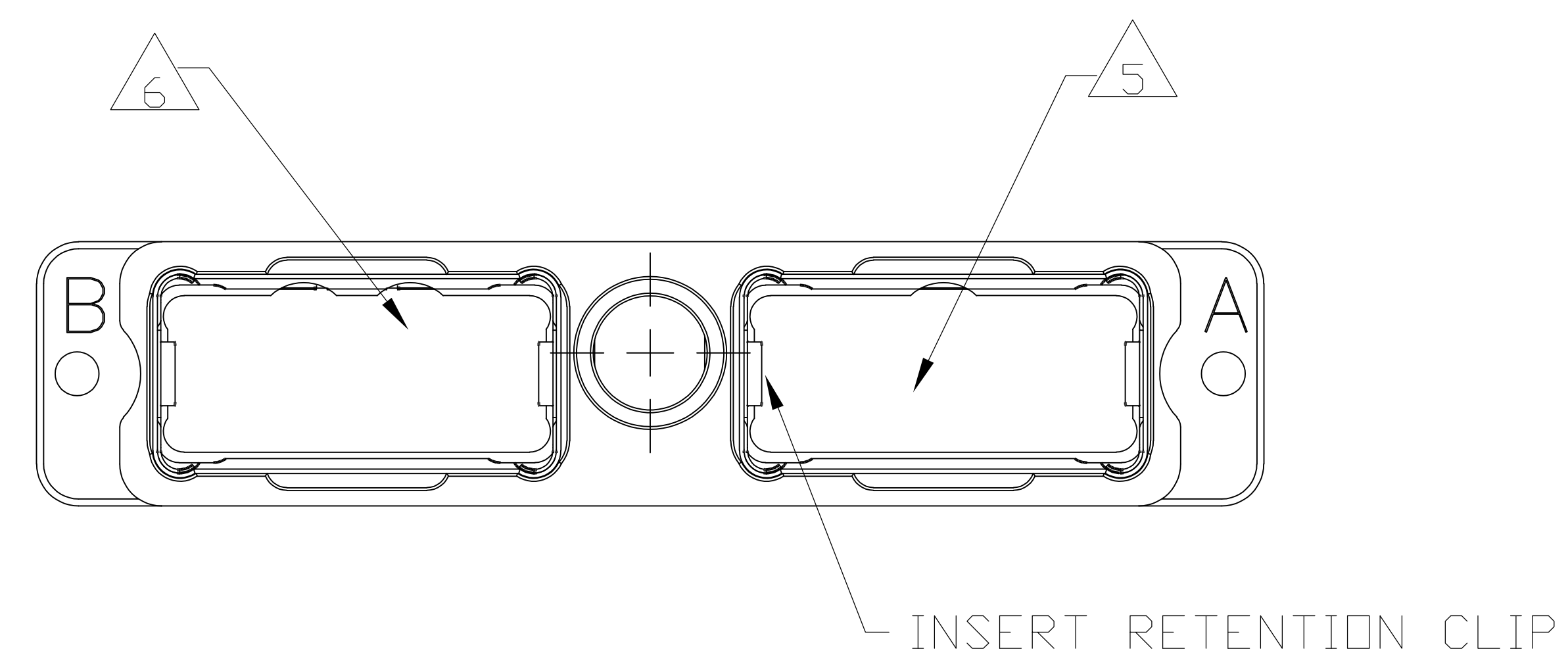
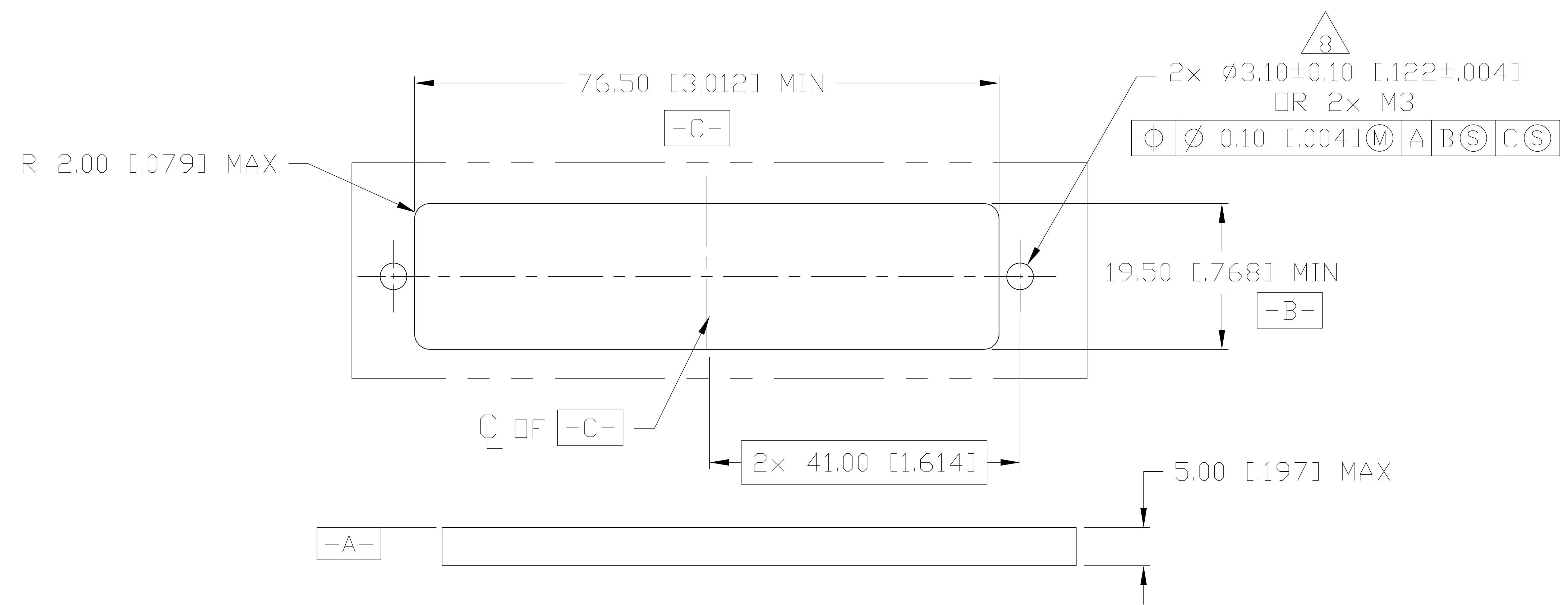
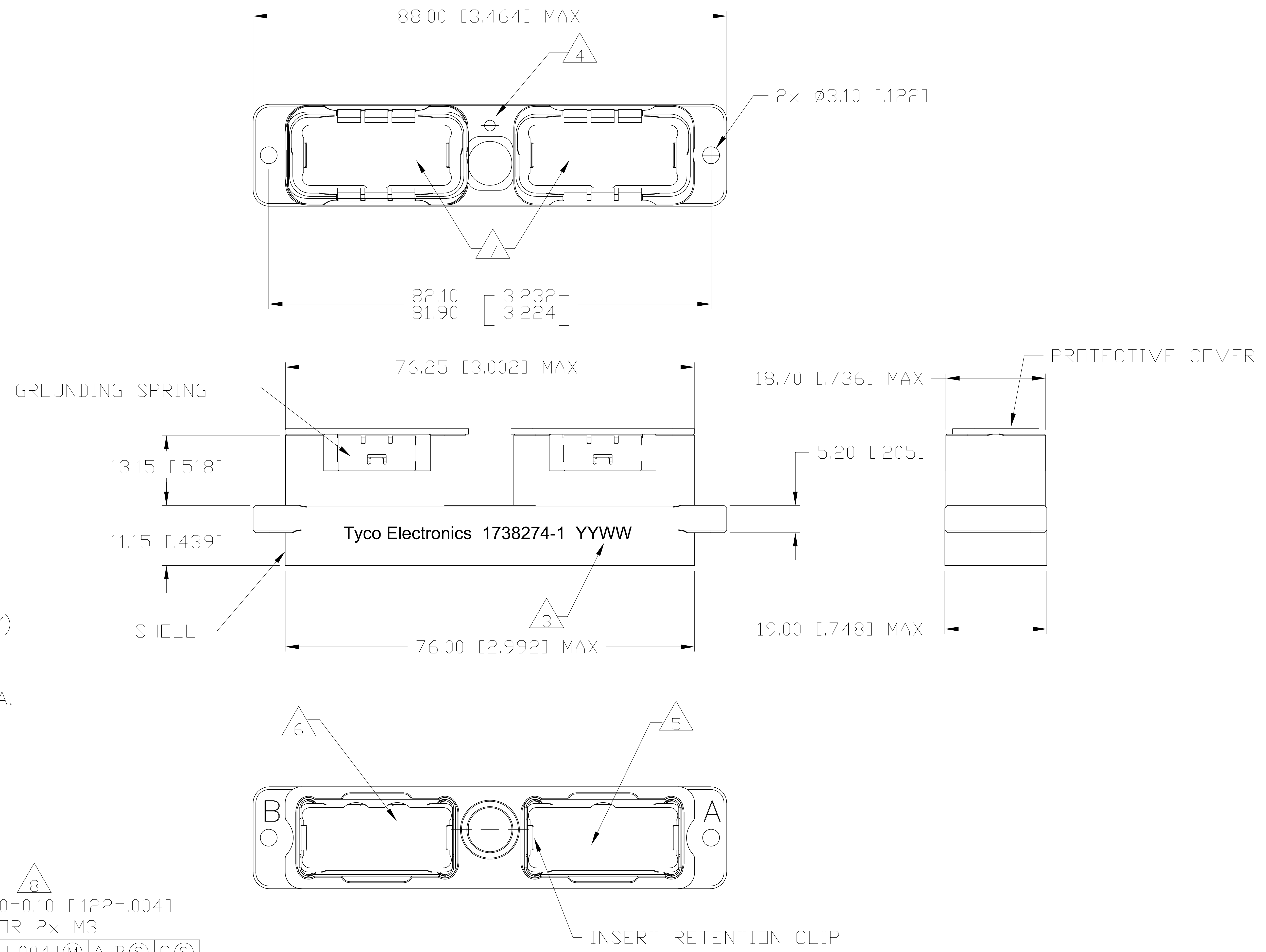


| REV | DESCRIPTION | DATE | BY | APP'D |
|-----|---------------------------------------|---------|----|-------|
| 0 | CONVERTED RADIAL DWG TO TYCO ACAD DWG | 06/04 | RF | JM |
| 1 | REVISED | 06APR10 | RF | JM |

- 1 SHELL: ALUMINUM ALLOY 6061 T651
INSERT RETENTION CLIP & GROUNDING SPRING: COPPER ALLOY PER ASTM B194
PROTECTIVE COVER: THERMOPLASTIC ELASTOMER
- 2 SHELL: ELECTROLESS NICKEL PER SAE AMS-C-26074, CLASS 1.
GROUNDING SPRING: ELECTROLYTIC NICKEL PER SAE AMS-QQ-N-290.
- 3 DATE CODE - YEAR & WEEK (YY WW)
- 4 INDEXING POINT FOR POLARIZATION
- 5 SHELL CAVITY FOR GPRB SERIES INSERTS WITH KEYING CODE A.
- 6 SHELL CAVITY FOR GPRB SERIES INSERTS WITH KEYING CODE B.
- 7 PROTECTIVE COVERS NOT SHOWN FOR CLARITY.
- 8 SCREW HEAD DIAMETER: 6.00 [.236] MAX.
- 9. PITCH FOR SIDE-BY-SIDE MOUNTING: 19.50 [.768] MIN.
- 10. DESCRIPTIVE PART NUMBER: GPRB2HD3N
SERIES: GPRB
SHELL SIZE: 2 (TWO-CAVITY SHELL)
SHELL STYLE: H (RECEPTACLE WITH GROUNDING SPRINGS)
MODIFICATION CODE: D (2x Ø3.10mm THRU HOLES FOR PANEL MOUNTING)
POLARIZATION CODE: 3 (LOCKING & POLARIZING HARDWARE PURCHASED SEPARATELY)
SHELL PLATING: N (NICKEL PLATING)
- 11. THIS PRODUCT IS SOLD BY TYCO ELECTRONICS UNDER A LICENSE FROM RADIALL SA.



RECOMMENDED PANEL CUTOUT

THIS PRINT IS
PRELIMINARY
UNQUALIFIED PRODUCT
CONTACT PRODUCT ENGINEERING
BEFORE USING THIS PRINT

1738274-1
PART NUMBER

| | | | | | |
|--|--------------------|------------------|-------|----|-------|
| THIS DRAWING IS A CONTROLLED DOCUMENT. | | REV | DATE | BY | APP'D |
| DIMENSIONS: mm (INCHES) | | DESIGNER | DATE | BY | APP'D |
| TOLERANCES UNLESS OTHERWISE SPECIFIED: | | APP'D | DATE | BY | APP'D |
| Ø | FRACTIONAL DECIMAL | PRODUCT SPEC | | | |
| Ø | FRACTIONAL DECIMAL | APPLICATION SPEC | | | |
| Ø | FRACTIONAL DECIMAL | WEIGHT | | | |
| Ø | FRACTIONAL DECIMAL | CUSTOMER DRAWING | | | |
| MATERIAL | | SCALE | SHEET | OF | REV |
| FINISH | | 1:1 | 1 | 1 | 1 |