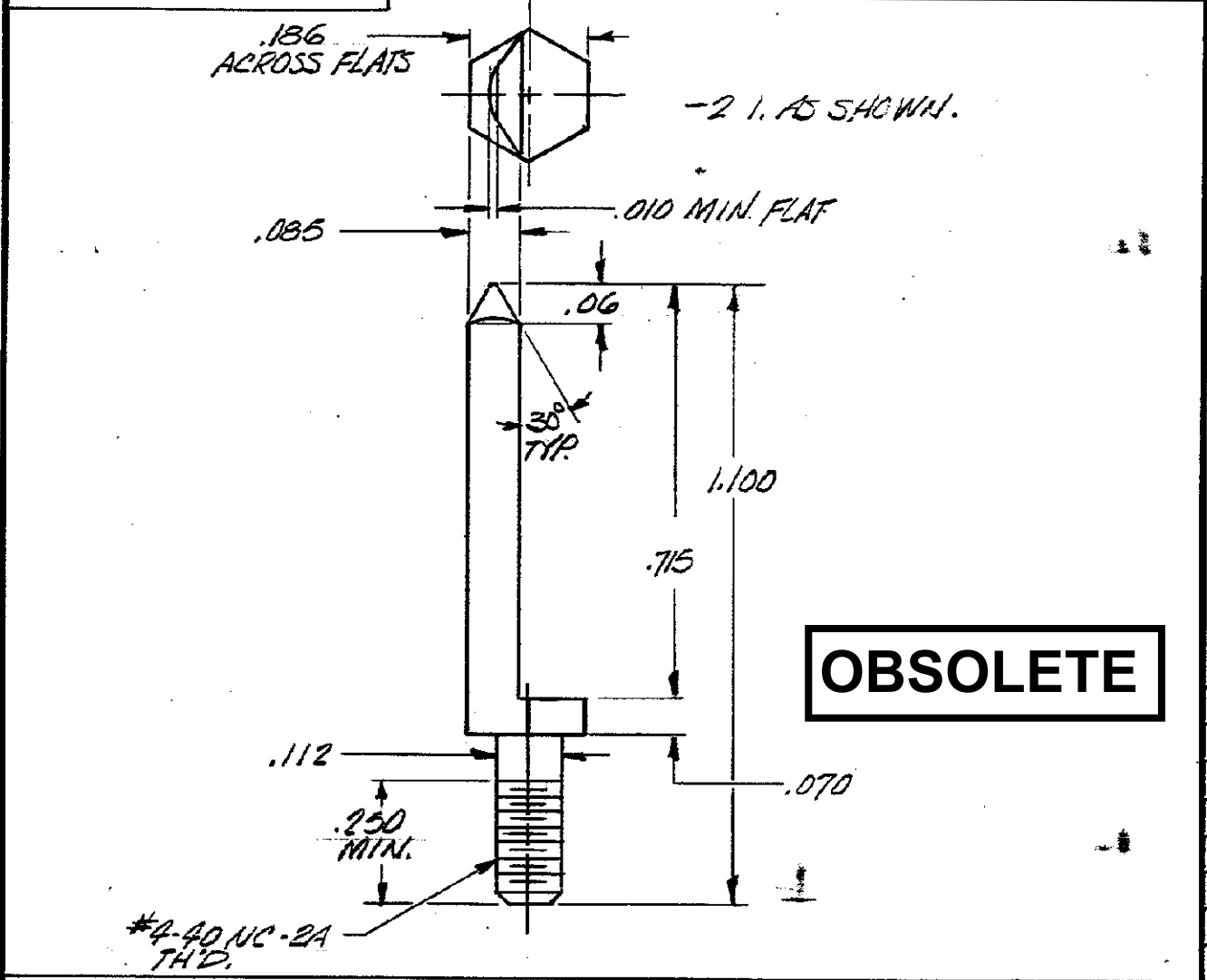



© COPYRIGHT 1978 BY AMP INCORPORATED, HARRISBURG, PA. ALL INTERNATIONAL RIGHTS RESERVED. AMP INCORPORATED PRODUCTS COVERED BY U.S. AND FOREIGN PATENTS AND /OR PATENTS PENDING.

REVISIONS				
LTR	DESCRIPTION	DATE	APPROVED	P/F
0	RELEASED	8/20/78	JCN	2
A	REV. / ECN 2-1871	3-4-86	MPH DB	2
B	REV PER ECO-12-004146	PY	03-12	DE



PART NO

UNLESS OTHERWISE SPECIFIED DIMENSIONS ARE IN INCHES. TOLERANCES ON: DECIMALS ± .005 ANGLES ± 0°30'	CONTRACT NO	 AMP INCORPORATED Harrisburg, Pa.	NAME POLARIZING POST
	DR <i>Deffen</i> 8/29/78		
MATERIAL ST. STEEL PER QQ-5-763	APPD <i>Deffen</i> 9-5-78 APPD <i>J. Wier</i> 9/5/78	SCALE <i>1</i>	SHEET <i>1</i>
FINISH PASSIVATE	DSGN APPD OTHER APPD		