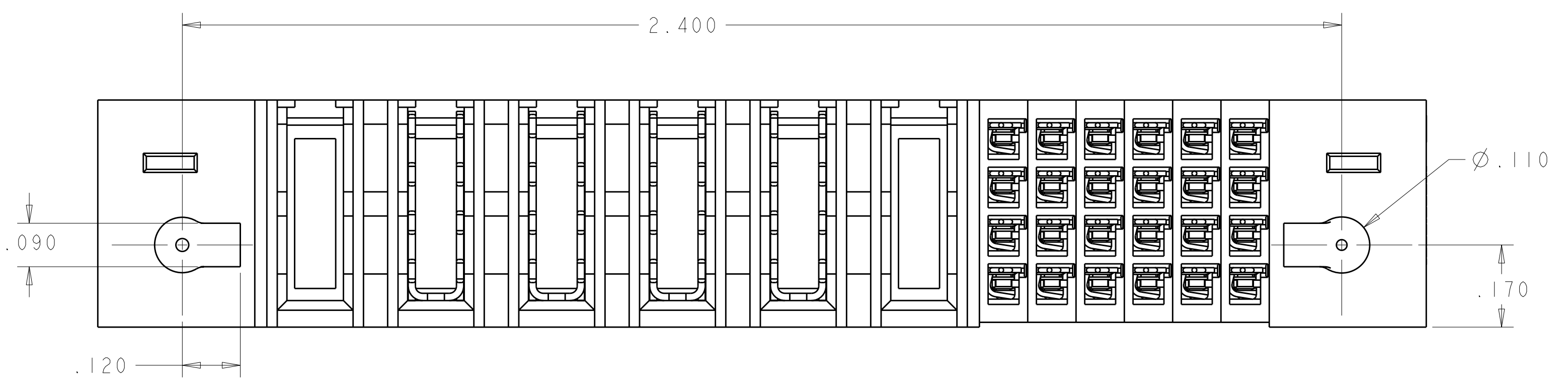
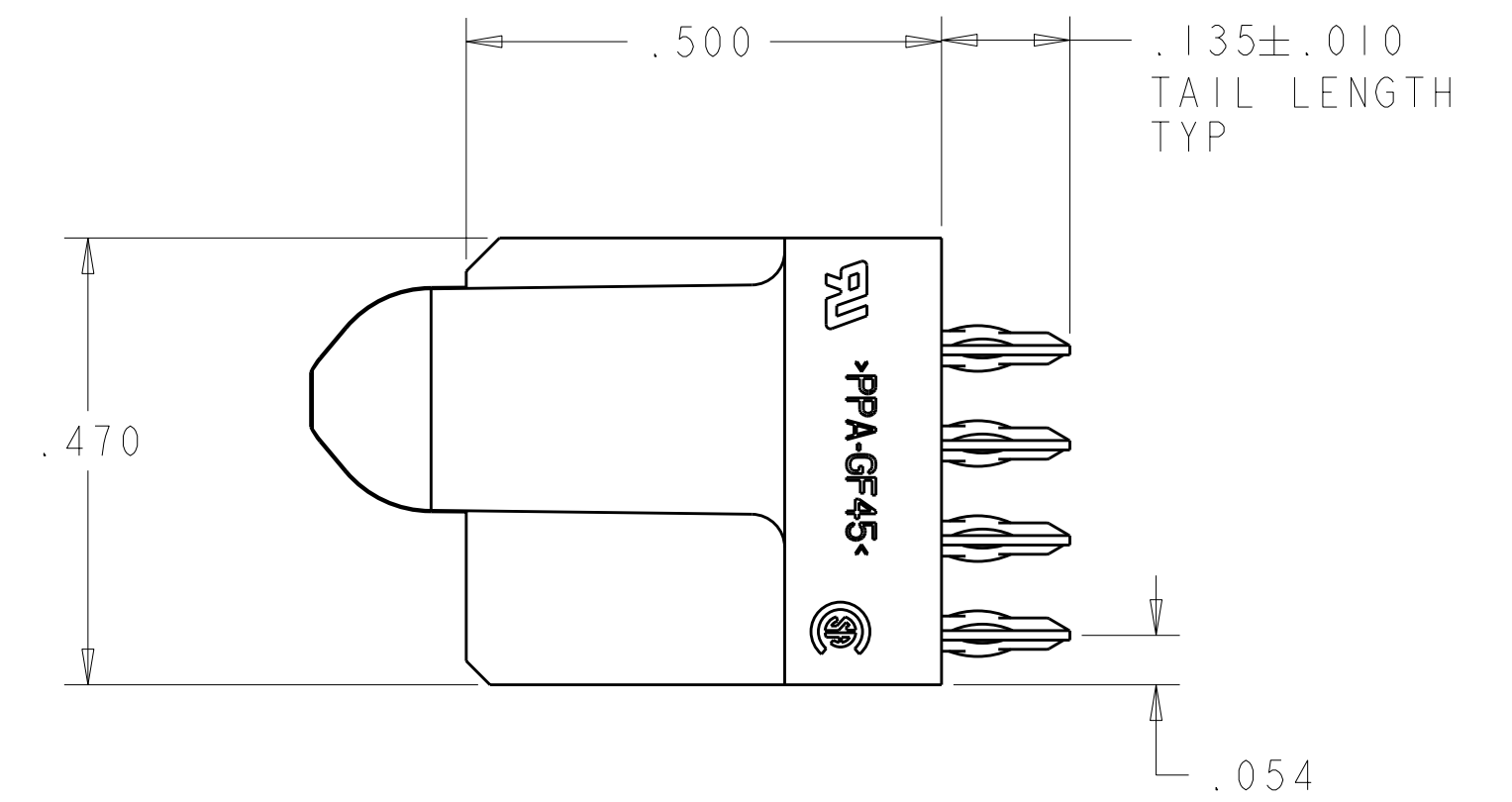
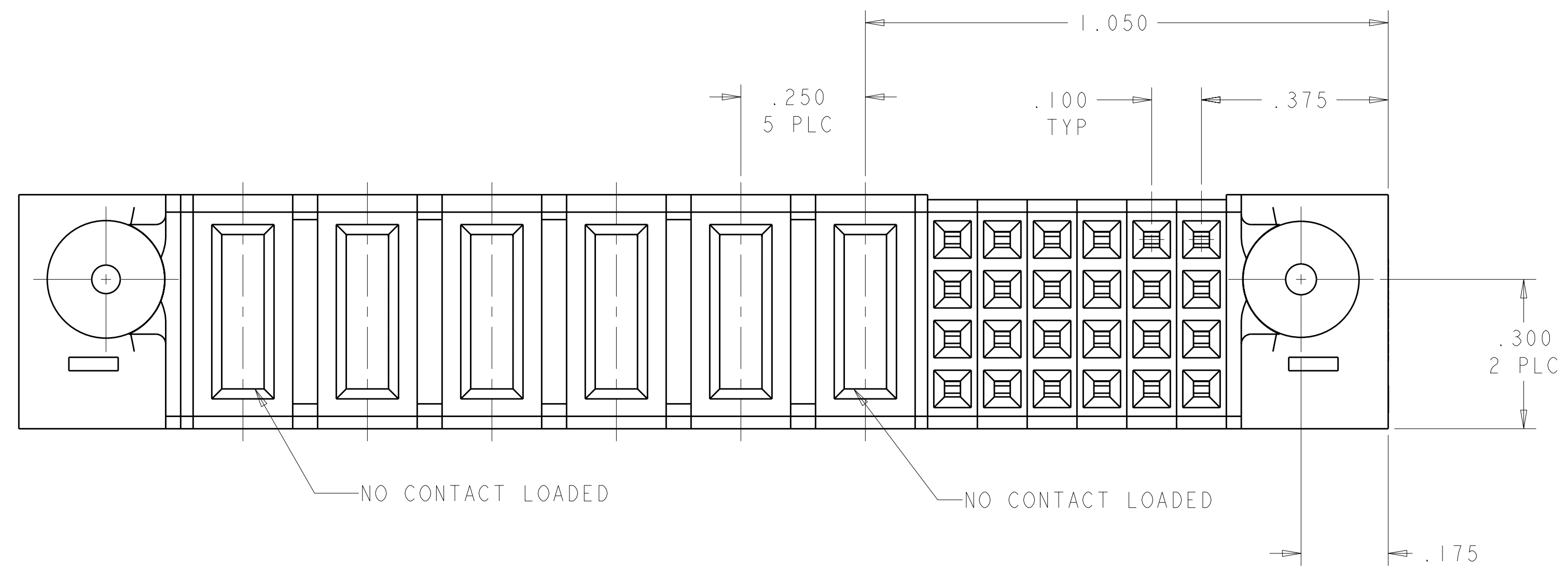
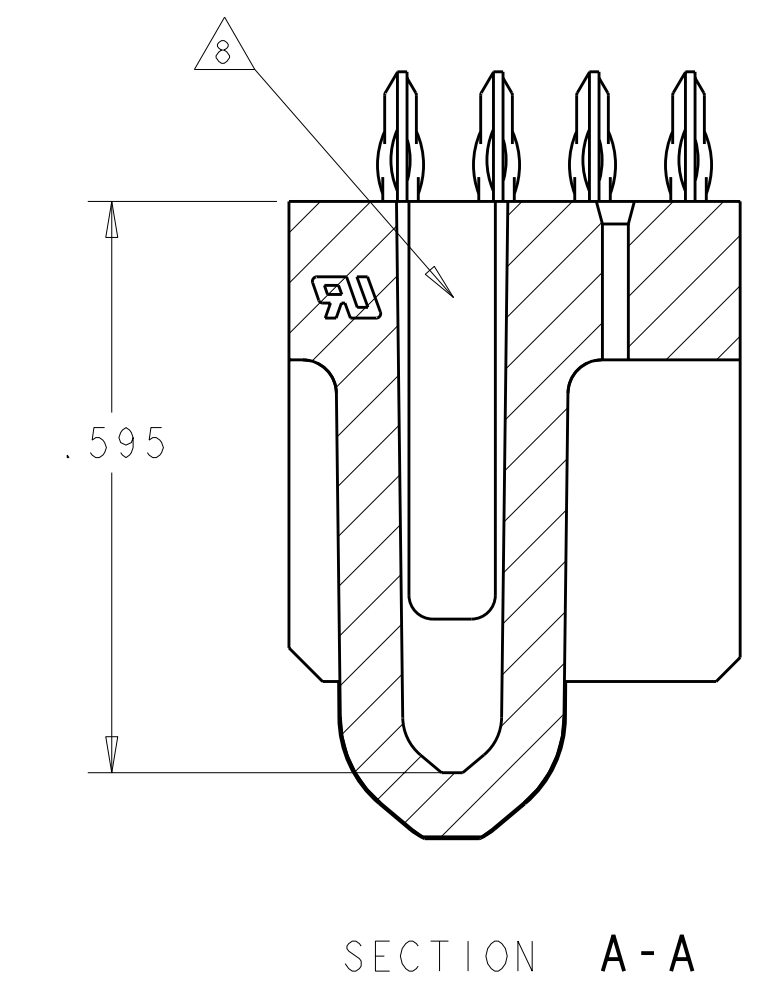
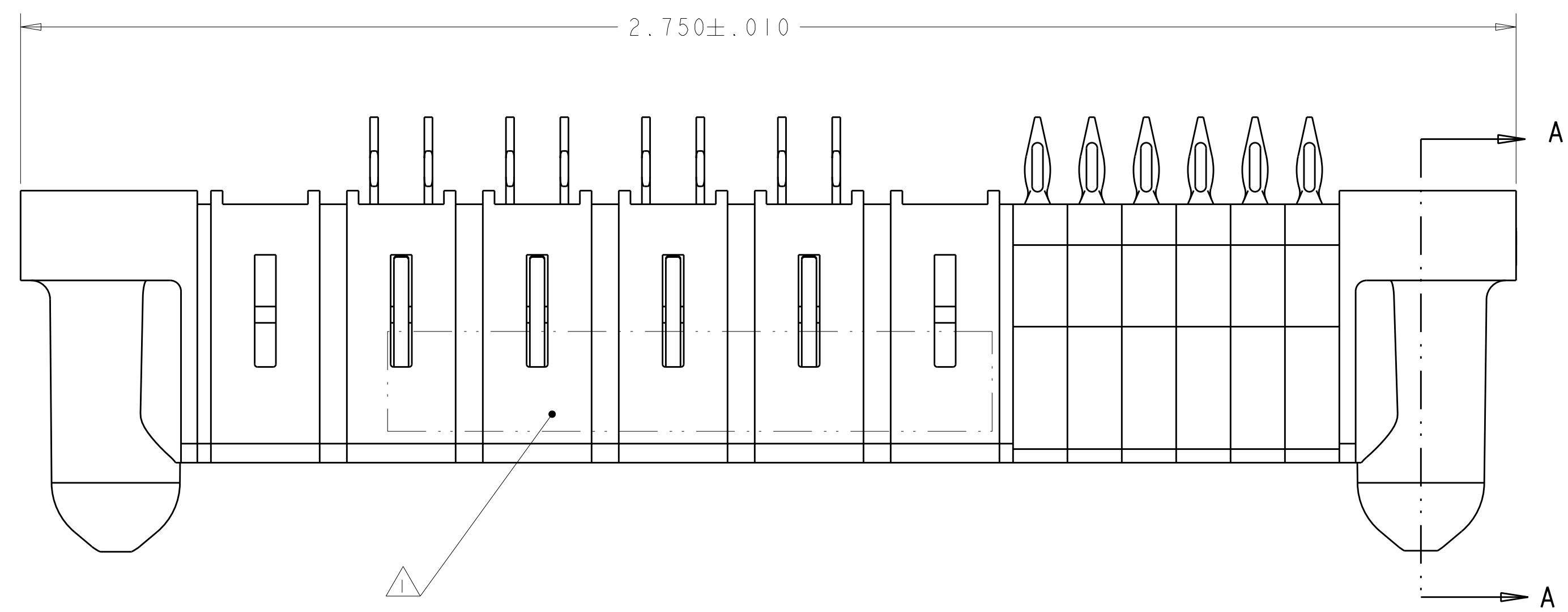


LOC		DIST		REVISIONS			
ES	00	P	LTR	DESCRIPTION	DATE	DWN	APVD
		5		REVISED	26MAR2006	CZ	SY
		6		REVISED	27MAR2006	CZ	SY
		A		REVISED PER ECR-09-009021	20APR2009	OL	SY



- 1 "AMP", PART NUMBER, AND DATE CODE TO BE MARKED IN AREA SHOWN.
- 2 MATERIAL: HOUSING - GLASS FILLED HIGH TEMP THERMO PLASTIC, UL94 V-0.  
 SIGNAL CONTACT - HIGH CONDUCTIVITY COPPER ALLOY  
 POWER CONTACT - HIGH CONDUCTIVITY COPPER ALLOY
- 3 CONTACT PLATING: SIGNAL CONTACTS - .000050 MIN Ni UNDER ALL  
 .000030 MIN Au ON CONTACT AREA.  
 .000100 MIN Sn AT PCB INTERFACE  
 POWER CONTACTS - .000050 MIN Ni UNDER ALL  
 .000030 MIN Au ON CONTACT AREA.  
 .000100 MIN Sn AT PCB INTERFACE
- 4 MECHANICAL CONNECTOR KEEP OUT ZONE.
- 5 DATUM AND BASIC DIMENSIONS ESTABLISHED BY CUSTOMER.
- 6 PCB - ALL HOLE DIAMETERS ARE FINISHED HOLE SIZES.
- 7 PCB - .0453 +/- .0010 DRILLED HOLES PLATED WITH .0003 MIN Sn OVER  
 .001 TO .003 PLATING TO ACHIEVE A .040 DIA. HOLE.
- 8 RECOMMEND USING CUSTOMER SUPPLIED SCREWS TO SECURE TO BOARD.  
 5-20 X .38 LG. SELF-TAPPLIED, HI-LO TYPE, CROSS RECESSED PAN HD. OR TYCO.  
 ENGINEERING APPROVED QWUIVALENT SUCH AS TYCO P/N 19024-1.



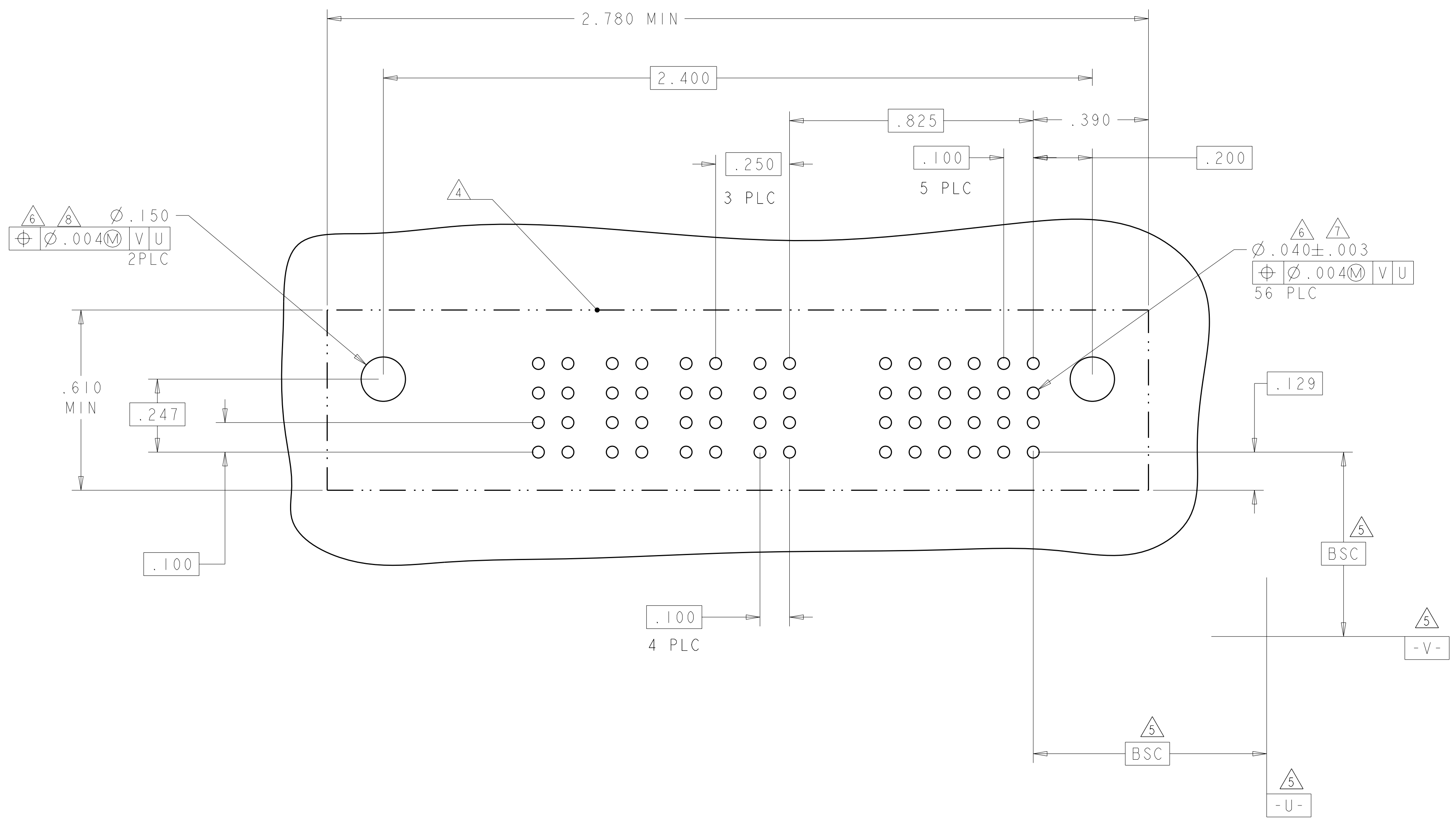
24S + 6P	1-6450541-0
DESCRIPTION	PART NUMBER

<small>THIS DRAWING IS UNPUBLISHED. RELEASED FOR PUBLICATION BY TYCO ELECTRONICS CORPORATION, ALL RIGHTS RESERVED.</small>		DWN: R. GRZYBOWSKI 07NOV2005 CHK: M. PERCHERKE 07NOV2005 APVD: M. PERCHERKE 07NOV2005	<b>tyco</b> Tyco Electronics Incorporated Shanghai, P.R.China, 200233
DIMENSIONS: INCHES 9 PLC ±.01 5 PLC ±.01 4 PLC ±.005 ANGLES ±.0020	TOLERANCES UNLESS OTHERWISE SPECIFIED: 9 PLC ±. 5 PLC ±.01 4 PLC ±.005 ANGLES ±.0020	PRODUCT SPEC: 108-1973 APPLICATION SPEC: 114-13038 WEIGHT: - CUSTOMER DRAWING	NAME: VERTICAL RECEPTACLE ASSEMBLY W/ GUIDES MULTI-BEAM XL SIZE: A CAGE CODE: 100779 DRAWING NO: 1-6450541-0 RESTRICTED TO: - SCALE: 4:1 SHEET 1 OF 2 REV A

LOC	DIST	REVISIONS			
ES	00	REV	DATE	BY	APPD
-	-	SEE SHEET 1	-	-	-

PART NUMBER	ROWS	POWER						SIGNAL					
		P6	P5	P4	P3	P2	P1	6	5	4	3	2	1
1-6450541-0	D C B A							AP	AP	AP	AP	AP	AP
								AP	AP	AP	AP	AP	AP
								AP	AP	AP	AP	AP	AP
								AP	AP	AP	AP	AP	AP
24S + 6P			GP	GP	GP	GP							

NO CONTACTS LOADED



CODE	DESCRIPTION
AP	SIGNAL CONTACT, PRESS-FIT
GP	POWER CONTACT, PRESS-FIT
	VERTICAL RECEPTACLE ASSEMBLY W/ GUIDES MULTI-BEAM XL

DIMENSIONS: INCHES 		TOLERANCES UNLESS OTHERWISE SPECIFIED: 9 PLC ±. 8 PLC ±.01 7 PLC ±.005 6 PLC ±.0020 ANGLES ±.0°		DWN: R. GRZYBOWSKI 07NOV2005 CHK: M. PERCHERKE 07NOV2005 APVD: M. PERCHERKE 07NOV2005 PRODUCT SPEC: 108-1973 APPLICATION SPEC: 114-13038 WEIGHT: - CUSTOMER DRAWING		NAME: TycO Electronics TycO Electronics incorporated Shanghai, P.R.China, 200233	
MATERIAL: - FINISH: -		SCALE: 4:1 SHEET: 2 OF 2 REV: A		SIZE: CAGE CODE: DRAWING NO: A   00779   C=1-6450541-0		RESTRICTED TO: -	