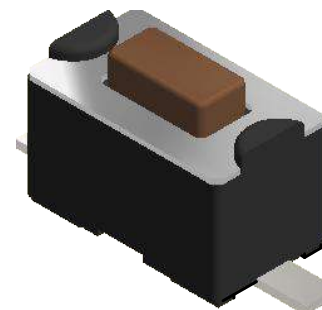
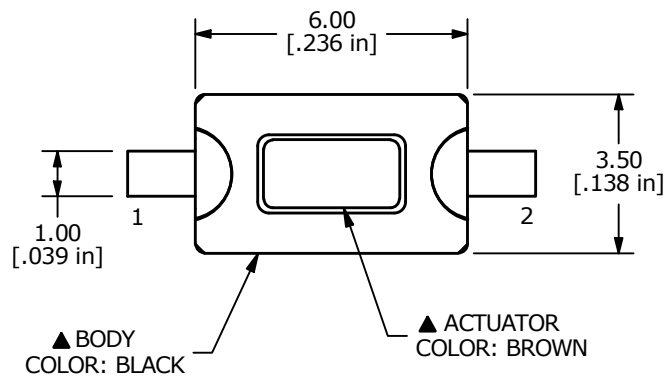
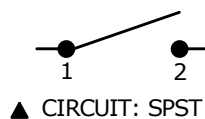
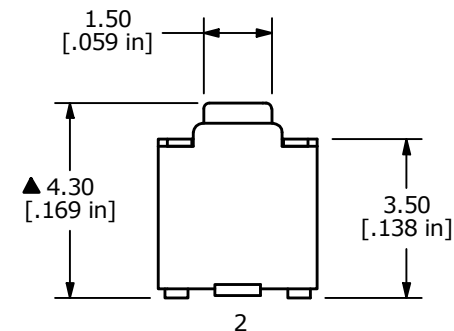
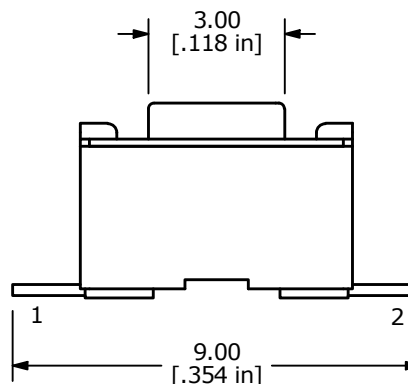



P.C.B LAYOUT



NOTES:

1. ALL DIMENSIONS IN MM [INCH]
2. GENERAL TOLERANCE: X.X= ± 0.4
X.XX= ± 0.25
3. TERMINAL NUMBERS FOR REF. ONLY
4. RATING: 50mA @ 12VDC
- ▲ 5. OPERATING FORCE: 160±50gf
6. DIELECTRIC STRENGTH: 250VAC FOR 1 MINUTE.
7. TRAVEL: 0.25 +0.2/-0.1mm
8. CONTACT RESISTANCE: 100mΩ MAX. (INITIAL)
9. INSULATION RESISTANCE: 100MΩ MIN. @500VDC
10. MECHANICAL/ELECTRICAL LIFE: 50,000 CYCLES
11. BOUNCE: 10msec MAX.
- ▲ 12. CONTACT MATERIAL: SILVER
13. ▲ DENOTES CRITICAL PARAMETER
14. OPERATING TEMP: -25°C to 70°C
15. PACKAGING: TAPE/REEL - 1800 pcs



REV	ECO NO	DESCRIPTION	DATE	BY				OBJECT ID	
B	ECO-101446	UPDATED PRINT	12/05/22	JS				TITLE TS35M9-4.3-160-TR	
THE INFORMATION CONTAINED IN THIS DOCUMENT IS PROPRIETARY TO E-SWITCH AND IS NOT TO BE COPIED OR TRANSFERRED					SCALE	DATE	DR	DWG	REV
					6:1	9/12/2007	SC	06-TS35M943160TR	B