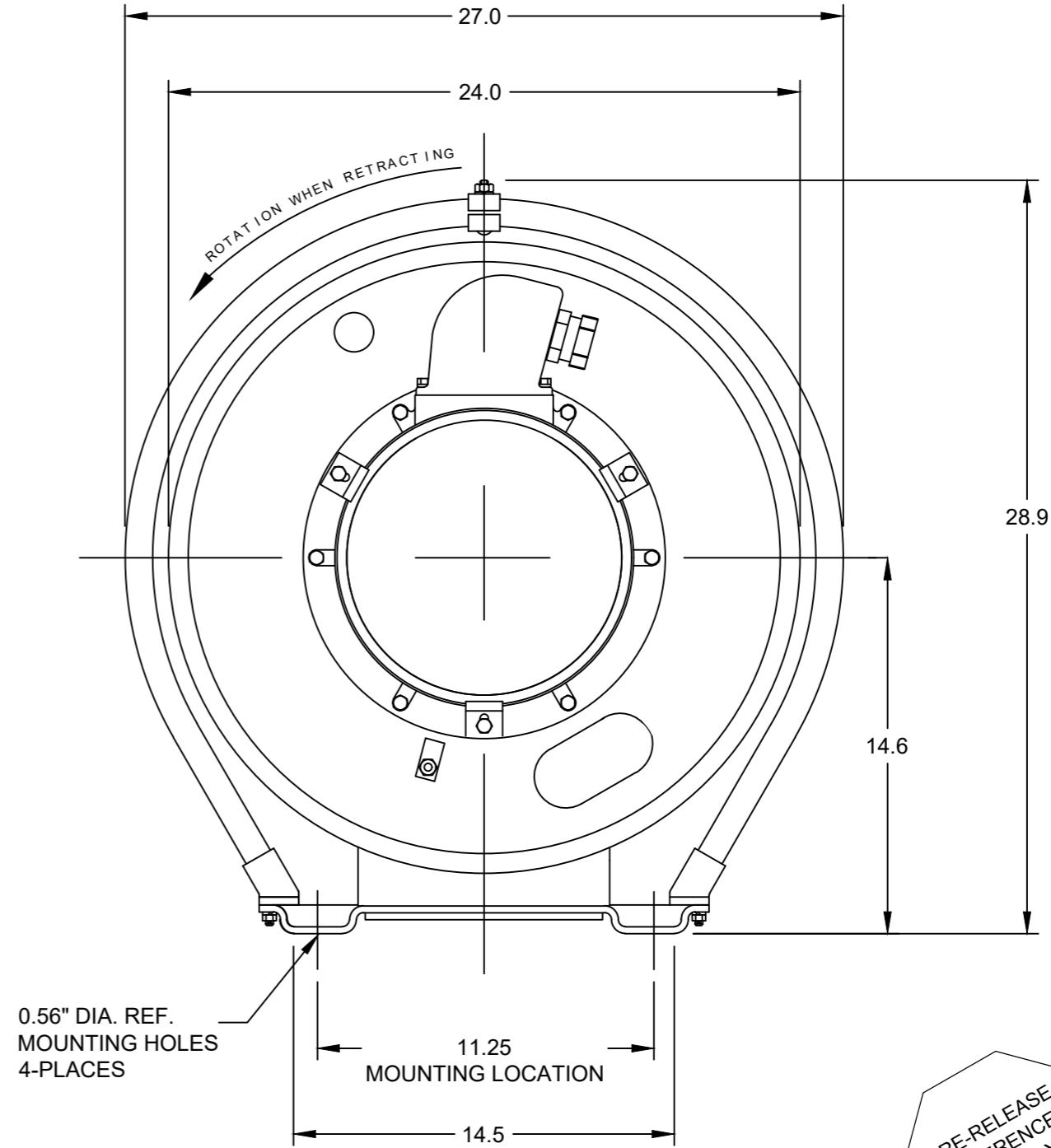
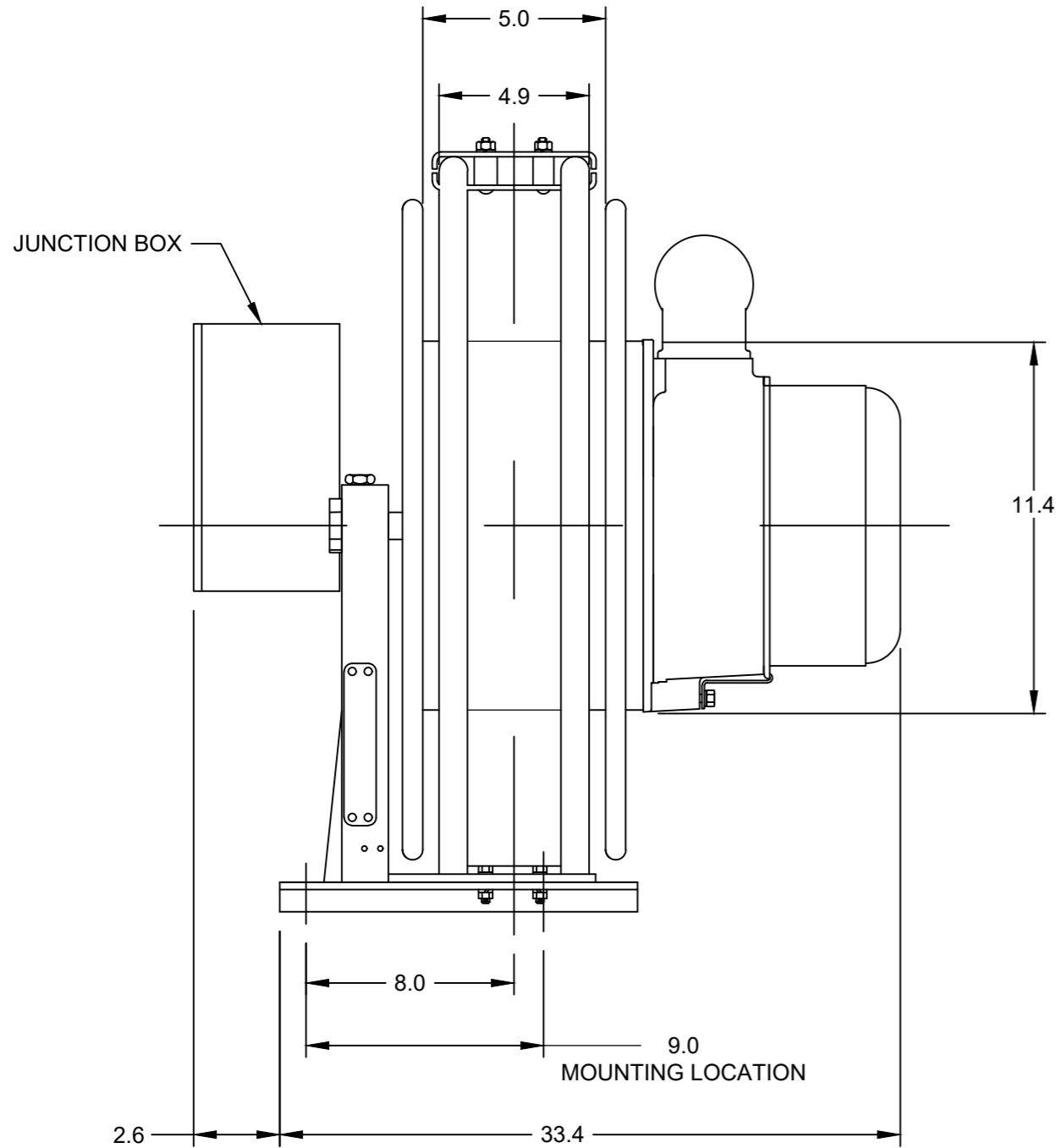


ALL DIMENSIONS ARE REFERENCE

MATERIAL #	ENGINEERING #
1300850467	125317330J5



PRE-RELEASE
REFERENCE
USE ONLY

SPECIFICATIONS:

SLIP-RING ELECTRICAL RATING: 17A, 600V
 AGENCY APPROVAL: NONE
 NOTE: ROLLER GUIDE AND PIVOT BASE NOT INCLUDED.

FUNCTIONAL SYMBOLS	THIS DRAWING CONTAINS INFORMATION THAT IS PROPRIETARY TO MOLEX ELECTRONIC TECHNOLOGIES, LLC AND SHOULD NOT BE USED WITHOUT WRITTEN PERMISSION												
	DIMENSION UNITS		SCALE		CURRENT REV DESC: RELEASE CUSTOMER DRAWING. SEE EC# 641770 FOR BOM RELEASE.								
INCH		NTS								125317330J5 CABLE REEL			
GENERAL TOLERANCES (UNLESS SPECIFIED)													
		mm	INCH										
4 PLACES		±---	±---	EC NO: 642099								2020/07/23	
3 PLACES		±---	±0.005	DRWN: VOU								2020/07/31	
2 PLACES		±---	±0.01	CHK'D: DNGUYEN62								---	
1 PLACE		±---	±0.02	APPR: ---								---	
0 PLACES		±---	±---	INITIAL REVISION:								---	
ANGULAR TOL ± 0.5 °		DRWN: VOU 2020/07/23											
DRAFT WHERE APPLICABLE MUST REMAIN WITHIN DIMENSIONS		THIRD ANGLE PROJECTION		DRAWING		SERIES		MATERIAL NUMBER		CUSTOMER		SHEET NUMBER	
				B-SIZE		130085		1300850467		---		1 OF 1	