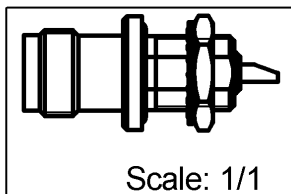
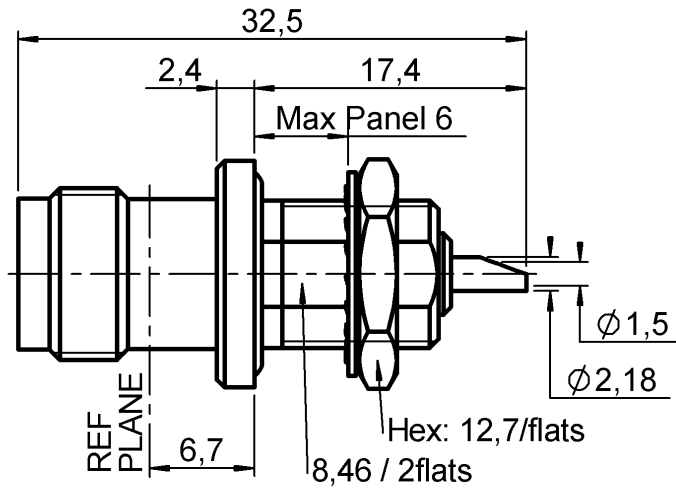


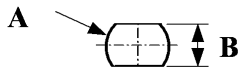
**BULKHEAD JACK RECEPTACLE FRONT MOUNTING
COMBINATION SEAL WITH SOLDER POT CONTACT**

R143.603.000

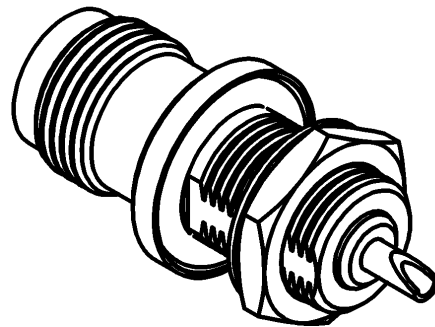
Series : TNC



PANEL CUT OUT



| | mm | |
|----------|------|------|
| | Maxi | mini |
| A | 9.75 | 9.65 |
| B | 8.65 | 8.55 |



All dimensions are in mm.



| COMPONENTS | MATERIALS | PLATINGS (µm) |
|----------------|------------------|------------------------|
| BODY | BRASS | NICKEL 2 |
| CENTER CONTACT | BERYLLIUM COPPER | GOLD 0.5 OVER NICKEL 2 |
| OUTER CONTACT | - | - |
| INSULATOR | PTFE | - |
| GASKET | SILICONE RUBBER | - |
| OTHERS PARTS | BRASS | NICKEL 2 |
| - | - | - |
| - | - | - |

Issue : 0622 R

In the effort to improve our products, we reserve the right to make changes judged to be necessary.



**BULKHEAD JACK RECEPTACLE FRONT MOUNTING
COMBINATION SEAL WITH SOLDER POT CONTACT**

R143.603.000

Series : TNC

PACKAGING

SPECIFICATION

| Standard | Unit | Other |
|------------|-----------------|-------------------|
| 100 | OPTION W | Contact us |

ELECTRICAL CHARACTERISTICS

| | | |
|---------------------------------|-------------------|--------------------------|
| Impedance | 50 | Ω |
| Frequency | 0-11 | GHz |
| VSWR | * + 0,0000 | x F(GHz) Maxi |
| Insertion loss | 0.15 | \sqrt{F} (GHz) dB Maxi |
| RF leakage | - (57 | - F(GHz)) dB Maxi |
| Voltage rating | 500 | Veff Maxi |
| Dielectric withstanding voltage | 1500 | Veff mini |
| Insulation resistance | 5000 | M Ω mini |

ENVIRONMENTAL

| | | |
|-----------------------|-----------------|--------------|
| Operating temperature | -65/+165 | $^{\circ}$ C |
| Hermetic seal | NA | Atm.cm3/s |
| Panel leakage | IP67 | |

OTHERS CHARACTERISTICS

Assembly instruction **NA**

Others :

* Coaxial Transmission Line Only

*1.2 --->0-5 GHz

*1.5 --->5-11GHz

MECHANICAL CHARACTERISTICS

| | | |
|----------------------------|----------------|-------------|
| Center contact retention | | |
| Axial force – Mating end | 18 | N mini |
| Axial force – Opposite end | 18 | N mini |
| Torque | 2.8 | N.cm mini |
| Recommended torque | | |
| Mating | NA | N.cm |
| Panel nut | 250 | N.cm |
| Mating life | 500 | Cycles mini |
| Weight | 12,2920 | g |

Issue : 0622 R

In the effort to improve our products, we reserve the right to make changes judged to be necessary.

