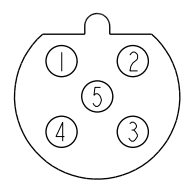
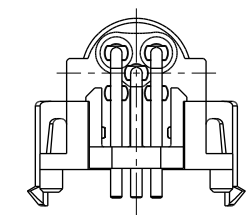
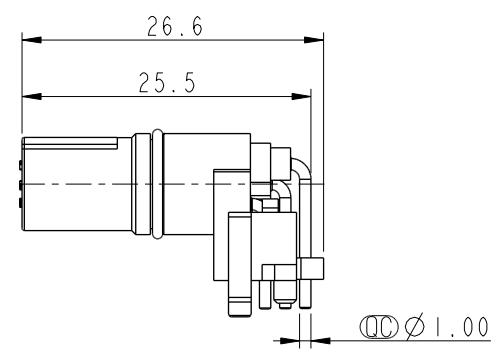
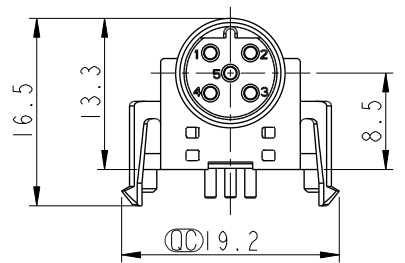
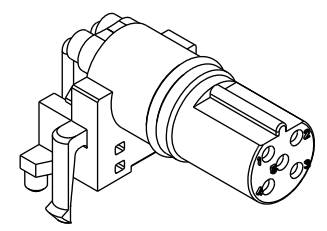
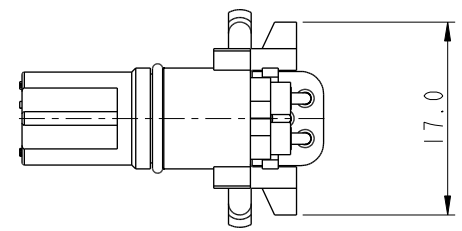


THIS DOCUMENT IS SUBJECT TO CHANGE WITHOUT NOTICE. IT IS CONFIDENTIAL AND A PROPERTY OF AMPHENOL LTW. DISCLOSURE TO THIRD PARTY HAS TO BE AUTHORIZED BY AMPHENOL LTW.

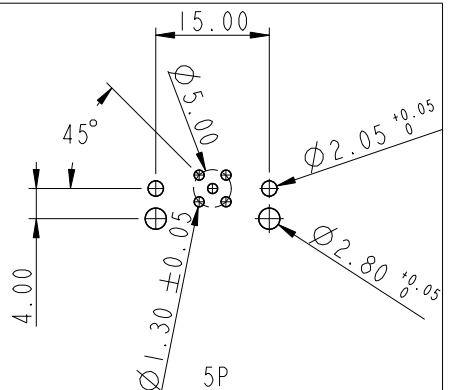
REV.	ECN NO.	DATE	SIGN	DESCRIPTION
A		2022-03-02	Jiahe Lin	Rev.01 To Rev.A

M12B-XXPFFR-EE0001
 XX: No. Of Pin



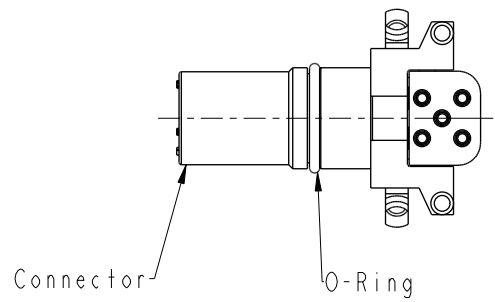
5P

Pin Assignments
Front View



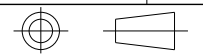
5P

Recommended PCB Layout



- Note:
- * RoHS Compliant
 - * \varnothing Important dimension
 - * Waterproof rate: Non-Waterproof
 - * Connector
 - Housing: Thermoplastic, Black
 - Pin: Copper alloy, Gold plated
 - O-Ring: Rubber, Gray
 - * For pcb thickness max: 1.6mm

UNIT:mm



TITLE
N SEN, M12 B,
RECEPTACLE, F, F, PCB R

Amphenol LTW

ITEM NO. DRAWN BY DATE
 DWG NO. CHECKED BY DATE
 CUSTOMER APPROVED BY DATE

TOLERANCE	
.X	±0.25
.XX	±0.1
.XXX	±0.05
ANGLES	±1°

SCALE	3:2	SIZE	A4	SHEET	1	OF	1
REV.	A	WC-REV.	A.1	\varnothing : Inspection item			

安費諾亮泰企業股份有限公司

ALTW	Jiahe Lin	2022-03-02
	Allen Pan	2022-03-02
	Fred Lee	2022-03-02