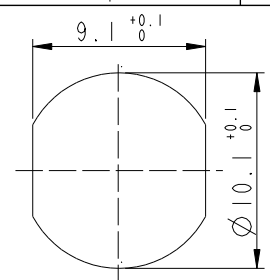
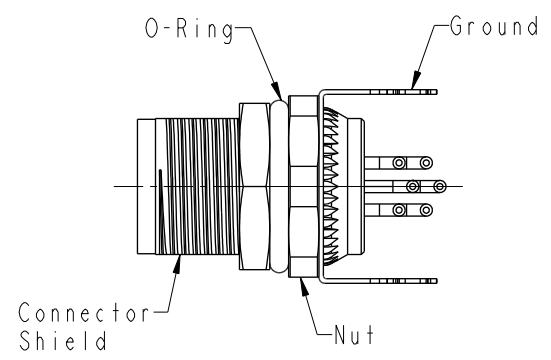
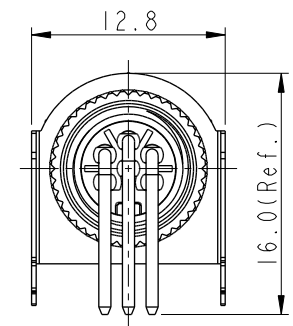
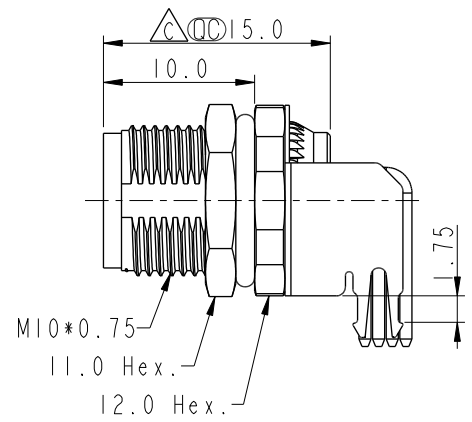
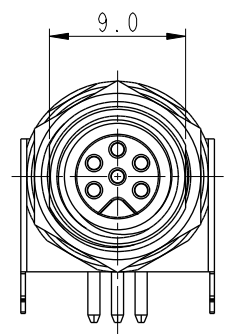


THIS DOCUMENT IS SUBJECT TO CHANGE WITHOUT NOTICE. IT IS CONFIDENTIAL AND A PROPERTY OF Amphenol LTW. DISCLOSURE TO THIRD PARTY HAS TO BE AUTHORIZED BY Amphenol LTW.

REV.	ECN NO.	DATE	SIGN	DESCRIPTION
B	LEN16B0005-009	2016/11/01	Yulong_wang	Change the Note
C	C210686	2021/05/11	Vicky	△ X5



Recommended Panel Cut-Out



- △ Note:
- \* RoHS Compliant
  - \* Ⓞ Important dimension
  - \* Waterproof rate: IPX8, unmated 1m/24h
  - \* Connector Housing: Thermoplastic, Black
  - △ Pin: Copper alloy, Gold plated
  - \* O-Ring: Rubber, Green
  - \* Shield: Metal
  - \* Ground: Metal
  - \* Nut: Metal
  - \* O-Ring: Rubber, Green
  - \* For panel thickness: 2.0~4.5mm
  - \* For pcb thickness max: 1.6mm
  - \* Nut is packed separately in pe bag

UNIT: mm		
TOLERANCE	.X ±0.25	
.XX ±0.1		
.XXX ±0.05		
ANGLES	±1°	

TITLE N SEN, M8W/KEY-SHLD, SCREW RECEPTACLE, F, F, PCB R			△
SCALE 2:1	SIZE A4	SHEET 1 OF 2	
REV. C	WC-REV. A.6	Ⓞ: Inspection item	

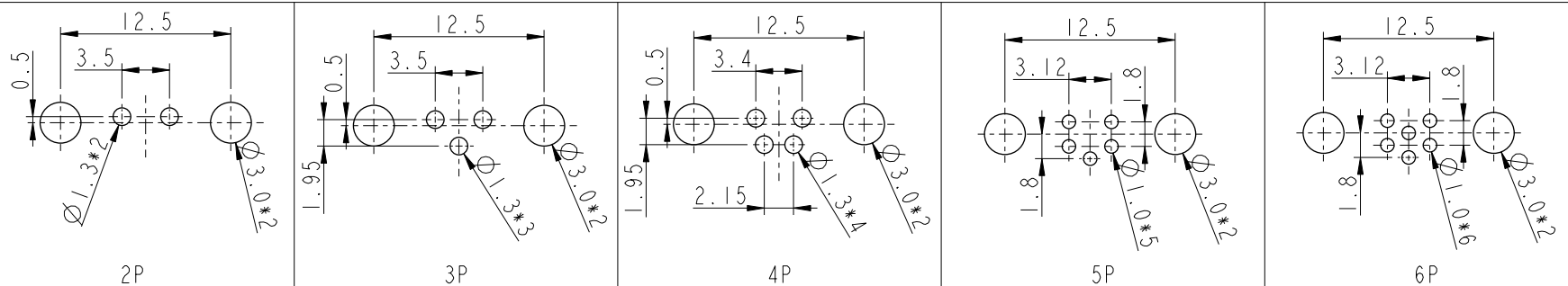
**Amphenol LTW**  
安費諾亮泰企業股份有限公司

ITEM NO.	DRAWN BY Yulong_wang	DATE 2016-11-01
DWG NO. M8AS-XXPFFR-SF8001	CHECKED BY Jinhai	DATE 2016-11-01
CUSTOMER ALTW	APPROVED BY Jerry	DATE 2016-11-01

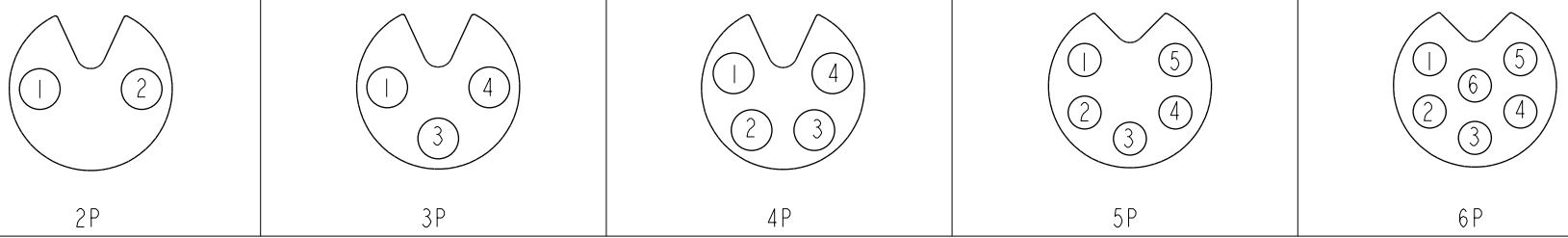
THIS DOCUMENT IS SUBJECT TO CHANGE WITHOUT NOTICE. IT IS CONFIDENTIAL AND A PROPERTY OF Amphenol LTW. DISCLOSURE TO THIRD PARTY HAS TO BE AUTHORIZED BY Amphenol LTW.

  
M8AS-XXPFFR-SF8001

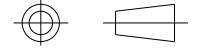
XX: No. Of Pin



PCB Layout



Pin Assignments Front View

UNIT: mm	
TOLERANCE	
.X	±0.25
.XX	±0.1
.XXX	±0.05
ANGLES	±1°

TITLE N SEN, M8W/KEY-SHLD, SCREW RECEPTACLE, F, F, PCB R			
SCALE	SIZE	SHEET OF	
2:1	A4	2 OF 2	
REV.	WC-REV.	QC: Inspection item	
C	A.6		

**Amphenol LTW**  
安費諾亮泰企業股份有限公司

ITEM NO	DWG NO
	M8AS-XXPFFR-SF8001
CUSTOMER	ALTW

DRAWN BY	CHECKED BY
Yulong_wang	Jinhai
APPROVED BY	
Jerry	

DATE	DATE	DATE
2016-11-01	2016-11-01	2016-11-01