

# SACB-8/16-L- 1,5PUR SCO P - Sensor/actuator box



1097612

<https://www.phoenixcontact.com/us/products/1097612>

Please be informed that the data shown in this PDF document is generated from our online catalog. Please find the complete data in the user documentation. Our general terms of use for downloads are valid.



Sensor/actuator box, application: Standard, connection method: M12-SPEEDCON-socket Plastic, number of slots: 8, number of positions: 5, coding: A, slot assignment: Double, status display: Yes, pnp; master cable connection: Fixed connection 180°, PUR/PVC, cable length: 1.5 m, shielding: no

## Your advantages

- Save time, thanks to installation with SPEEDCON fast locking system
- Safety in the field, thanks to molded housing and high degree of protection
- Flexible, distributed bundling of signals in one master cable
- Convenient: increased machine availability thanks to quick and easy diagnostics
- Save space: distributor box with double occupancy for two sensors in one slot

## Commercial data

Item number	1097612
Packing unit	1 pc
Minimum order quantity	1 pc
Sales key	BF41
Product key	BF3CBA
GTIN	4055626939568
Weight per piece (including packing)	542.6 g
Weight per piece (excluding packing)	521 g
Customs tariff number	85444290
Country of origin	DE

# SACB-8/16-L- 1,5PUR SCO P - Sensor/actuator box



1097612

<https://www.phoenixcontact.com/us/products/1097612>

## Technical data

### Notes

General	<b>NOTE:</b> Observe the permissible bending radii when laying conductors, since the degree of protection may be put in jeopardy if the bending forces are too high. Alleviate mechanical loads upstream of the connector, e.g. by using cable ties.
General	Unused slots are to be sealed off prior to commissioning. Suitable sealing elements are to be found under "Accessories".

### Product properties

Product type	Distributor boxes with M8 to M12 slots
Number of positions	5
Application	Standard
Number of slots	8
Coding	A
LED	yes

### Material specifications

Material	PBT
	PBT
	PUR
Flammability rating according to UL 94	V0
Seal material O-ring	NBR
Contact material	Cu alloy
Contact surface material	gold-plated
Contact carrier material	PA

### Dimensions

Dimensional drawing	
Width	54 mm
Height	23 mm
Length	149 mm

### Connection data

Conductor connection	
Connection method	Fixed connection

# SACB-8/16-L- 1,5PUR SCO P - Sensor/actuator box



1097612

<https://www.phoenixcontact.com/us/products/1097612>

Tightening torque slot sensor/actuator cable	0.4 Nm
Tightening torque of mounting screw for fixing the housing	0.5 Nm

## Pin assignment

Slot/position = Wire color or connection	1 / 4 (A) = WH
	1 / 2 (B) = GYPK
	2 / 4 (A) = GN
	2 / 2 (B) = RDBU
	3 / 4 (A) = YE
	3 / 2 (B) = WHGN
	4 / 4 (A) = GY
	4 / 2 (B) = BNGN
	5 / 4 (A) = PK
	5 / 2 (B) = WHYE
	6 / 4 (A) = RD
	6 / 2 (B) = YEBN
	7 / 4 (A) = BK
	7 / 2 (B) = WHGY
	8 / 4 (A) = VT
	8 / 2 (B) = GYBN

1-8 / 1 (+ 24 V) = BN
1-8 / 3 (0 V) = BU
1-8 / 5 (PE) = GNYE

## Signaling

Status display present	Yes
------------------------	-----

## Electrical properties

Max. operating voltage $U_{max}$	30 V DC
Local diagnostics	Supply voltage Green LED
	Status display I/O Yellow LED
Nominal voltage $U_N$	24 V DC
Rated current, total	12 A
Max. current carrying capacity per path	2 A
Current carrying capacity per slot	4 A

## Cable/line

Cable length	1.5 m
--------------	-------


PUR/PVC black [PUR]

# SACB-8/16-L- 1,5PUR SCO P - Sensor/actuator box



1097612

<https://www.phoenixcontact.com/us/products/1097612>

Dimensional drawing	
Cable weight	183.7 kg/km
UL AWM Style	20549 (80°C/300 V)
Number of positions	19
Shielded	no
Cable type	PUR/PVC black [PUR]
Conductor structure signal line	28x 0.15 mm
AWG signal line	20
Conductor cross section	16x 0.5 mm <sup>2</sup> (Signal line) 3x 1 mm <sup>2</sup> (power line)
Wire diameter incl. insulation	1.5 mm ±0.1 mm (Signal line) 2.1 mm ±0.1 mm (power line)
External cable diameter	10.5 mm ±0.2 mm
Outer sheath, material	PUR
External sheath, color	black RAL 9005
Conductor material	Bare Cu litz wires
Material wire insulation	PVC
Single wire, color	brown, blue, green/yellow, white, green, yellow, gray, pink, red, black, violet, gray/pink, red/blue, white/green, brown/green, white/yellow, yellow/brown, white/gray, gray/brown
Inner sheath thickness	≥ 0.15 mm
Thickness, outer sheath	≥ 0.76 mm
Overall twist	Wires twisted in layers
Nominal voltage, cable	300 V
Test voltage	2000 V
Minimum bending radius, fixed installation	7.5 x D
Minimum bending radius, flexible installation	10 x D
Max. bending cycles	1500000
Flame resistance	according to DIN EN 50265
Resistance to oil	according to VDE 0472 Part 803
Other resistance	Highly resistant to acids, alkaline solutions and solvents
Special properties	Silicone-free
Ambient temperature (operation)	-40 °C ... 90 °C (cable, fixed installation) -5 °C ... 80 °C (Cable, flexible installation)

## Standards and regulations

Standard designation	M12 connector
----------------------	---------------

# SACB-8/16-L- 1,5PUR SCO P - Sensor/actuator box



1097612

<https://www.phoenixcontact.com/us/products/1097612>

Standards/specifications	IEC 61076-2-101
--------------------------	-----------------

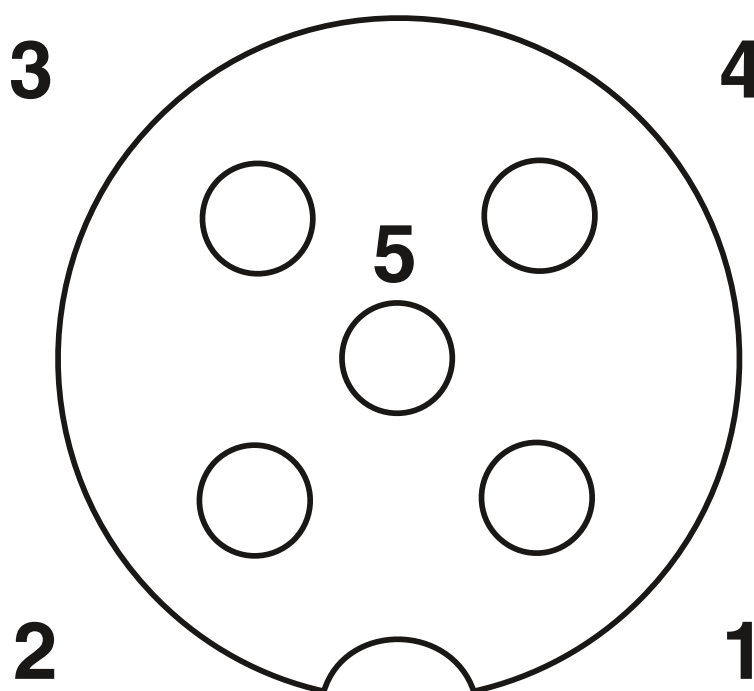
## Environmental and real-life conditions

### Ambient conditions

Degree of protection	IP65
	IP67
Ambient temperature (operation)	-25 °C ... 80 °C

Drawings

Schematic diagram



M12 slot, socket, 5-pos.

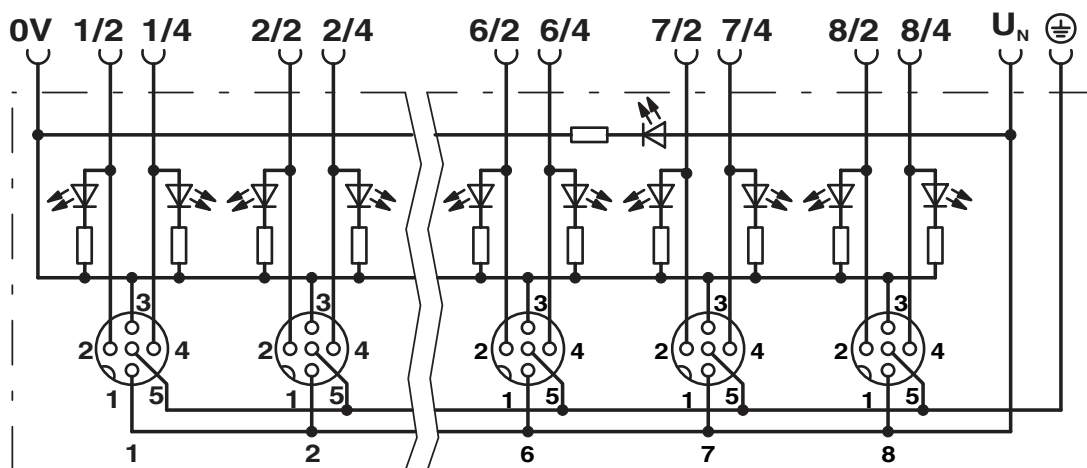
# SACB-8/16-L- 1,5PUR SCO P - Sensor/actuator box



1097612

<https://www.phoenixcontact.com/us/products/1097612>

Circuit diagram



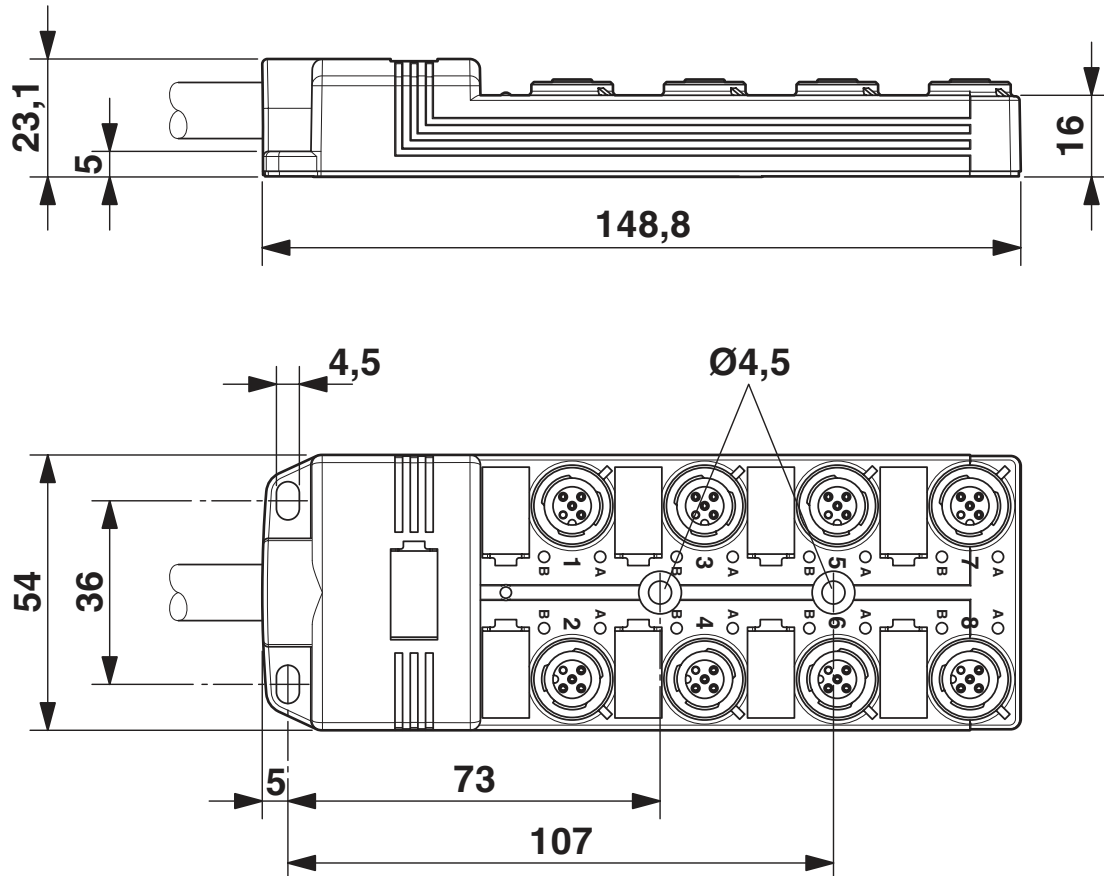
# SACB-8/16-L- 1,5PUR SCO P - Sensor/actuator box



1097612

<https://www.phoenixcontact.com/us/products/1097612>

Dimensional drawing





# SACB-8/16-L- 1,5PUR SCO P - Sensor/actuator box



1097612

<https://www.phoenixcontact.com/us/products/1097612>

## Classifications

### ECLASS

ECLASS-11.0	27440108
ECLASS-12.0	27440108
ECLASS-13.0	27440108

### ETIM

ETIM 8.0	EC002585
----------	----------

### UNSPSC

UNSPSC 21.0	31251500
-------------	----------

# SACB-8/16-L- 1,5PUR SCO P - Sensor/actuator box



1097612

<https://www.phoenixcontact.com/us/products/1097612>

## Environmental product compliance

China RoHS	Environmentally friendly use period: unlimited = EFUP-e
	No hazardous substances above threshold values

# SACB-8/16-L- 1,5PUR SCO P - Sensor/actuator box



1097612

<https://www.phoenixcontact.com/us/products/1097612>

## Accessories

### PROT-MS SCO - Screw plug

1553129

<https://www.phoenixcontact.com/us/products/1553129>



M12 screw plug with fast-locking system for unoccupied M12 female connectors of sensor/actuator cables, boxes, and flush-type connectors

---

### TSD 04 SAC - Torque screwdriver

1208429

<https://www.phoenixcontact.com/us/products/1208429>



Torque screwdriver, with preset torque of 0.4 Nm and 4 mm hexagonal drive for M12 connectors

# SACB-8/16-L- 1,5PUR SCO P - Sensor/actuator box



1097612

<https://www.phoenixcontact.com/us/products/1097612>

## TSD-M 1,2NM - Torque screwdriver

1212224

<https://www.phoenixcontact.com/us/products/1212224>



Torque screw driver, accuracy as per EN ISO 6789 standard, adjustable from 0.3 - 1.2 Nm

---

## TSD-M SAC-BIT ADAPTER - Adapter insert

1212600

<https://www.phoenixcontact.com/us/products/1212600>



Adapter bit for TSD-M...torque tools, E6.3-1/4" drive with 4 mm hexagon to accommodate SAC bits

# SACB-8/16-L- 1,5PUR SCO P - Sensor/actuator box



1097612

<https://www.phoenixcontact.com/us/products/1097612>

## SAC BIT M12-D15 - Tool

1208432

<https://www.phoenixcontact.com/us/products/1208432>



Nut for assembling sensor/actuator cables with M12 connector and M12 connectors for assembly, with a knurl diameter of 15 mm, for 4 mm hexagonal drive

---

## SACC BIT M12-D20 - Tool

1208445

<https://www.phoenixcontact.com/us/products/1208445>



Nut for assembling M12 connectors for assembly with a knurl diameter of 20 mm, for 4 mm hexagonal drive

# SACB-8/16-L- 1,5PUR SCO P - Sensor/actuator box



1097612

<https://www.phoenixcontact.com/us/products/1097612>

## UC-EM (17,5X9) - Snap-in markers

0827490

<https://www.phoenixcontact.com/us/products/0827490>



Snap-in markers, Sheet, white, unlabeled, can be labeled with: BLUEMARK ID, BLUEMARK ID COLOR, BLUEMARK CLED, BLUEMARK LED, CMS-P1-PLOTTER, PLOTMARK, mounting type: snapped, lettering field size: 17.5 x 9 mm, Number of individual labels: 20

---

## UC-EM (17,5X9) CUS - Snap-in markers

0828238

<https://www.phoenixcontact.com/us/products/0828238>



Snap-in markers, can be ordered: by sheet, white, labeled according to customer specifications, mounting type: snapped into marker carrier, lettering field size: 17.5 x 9 mm, Number of individual labels: 20

# SACB-8/16-L- 1,5PUR SCO P - Sensor/actuator box



1097612

<https://www.phoenixcontact.com/us/products/1097612>

## UCT-EM (17,5X9) - Snap-in markers

0801491

<https://www.phoenixcontact.com/us/products/0801491>



Snap-in markers, Sheet, white, unlabeled, can be labeled with: TOPMARK NEO, TOPMARK LASER, BLUEMARK ID COLOR, BLUEMARK ID, BLUEMARK CLED, THERMOMARK PRIME, THERMOMARK CARD 2.0, THERMOMARK CARD, mounting type: snapped, lettering field size: 17.5 x 9 mm, Number of individual labels: 24

---

## UCT-EM (17,5X9) CUS - Snap-in markers

0801575

<https://www.phoenixcontact.com/us/products/0801575>



UniCard sheet, for labeling devices from other manufacturers, for overview table see download area, labeled according to customer specifications

# SACB-8/16-L- 1,5PUR SCO P - Sensor/actuator box



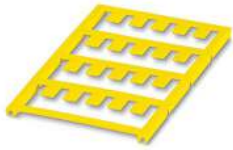
1097612

<https://www.phoenixcontact.com/us/products/1097612>

## UC-EM (17,5X9) YE - Snap-in markers

0827494

<https://www.phoenixcontact.com/us/products/0827494>



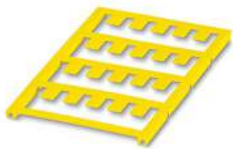
Snap-in markers, Sheet, yellow, unlabeled, can be labeled with: BLUEMARK ID COLOR, BLUEMARK ID, BLUEMARK CLED, PLOTMARK, CMS-P1-PLOTTER, mounting type: snapped, lettering field size: 17.5 x 9 mm, Number of individual labels: 20

---

## UC-EM (17,5X9) YE CUS - Snap-in markers

0828239

<https://www.phoenixcontact.com/us/products/0828239>



Snap-in markers, can be ordered: by sheet, yellow, labeled according to customer specifications, mounting type: snapped into marker carrier, lettering field size: 17.5 x 9 mm, Number of individual labels: 20



# SACB-8/16-L- 1,5PUR SCO P - Sensor/actuator box



1097612

<https://www.phoenixcontact.com/us/products/1097612>

## UCT-EM (17,5X9) YE - Snap-in markers

0801492

<https://www.phoenixcontact.com/us/products/0801492>



Snap-in markers, Sheet, yellow, unlabeled, can be labeled with: TOPMARK NEO, TOPMARK LASER, BLUEMARK ID COLOR, BLUEMARK ID, BLUEMARK CLED, THERMOMARK PRIME, THERMOMARK CARD 2.0, THERMOMARK CARD, mounting type: snapped, lettering field size: 17.5 x 9 mm, Number of individual labels: 24

---

## UCT-EM (17,5X9) YE CUS - Snap-in markers

0801576

<https://www.phoenixcontact.com/us/products/0801576>



UniCard sheet, for labeling devices from other manufacturers, for overview table see download area, labeled according to customer specifications

# SACB-8/16-L- 1,5PUR SCO P - Sensor/actuator box

1097612

<https://www.phoenixcontact.com/us/products/1097612>



## UTA 136 - DIN rail adapter

2853996

<https://www.phoenixcontact.com/us/products/2853996>

Universal DIN rail adapter, for screwing on switchgear



---

Phoenix Contact 2023 © - all rights reserved

<https://www.phoenixcontact.com>

Phoenix Contact USA  
586 Fulling Mill Road  
Middletown, PA 17057, United States  
(+717) 944-1300  
[info@phoenixcon.com](mailto:info@phoenixcon.com)