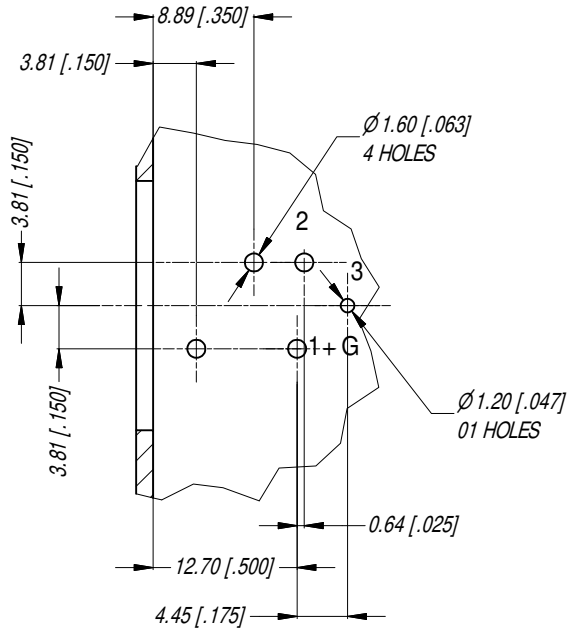


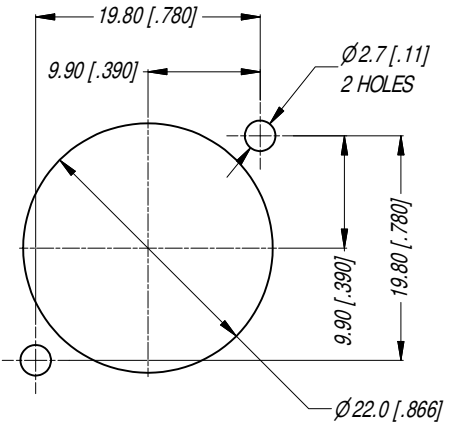
MIN MOUNTING PITCH (1:1)



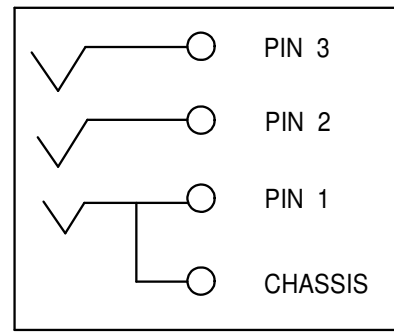
PCB LAYOUT
LAYOUT TOLERANCE : ± 0.05 [.002 in]

NOTE: DIMENSIONS IN PARENTHESES ARE IN INCHES.

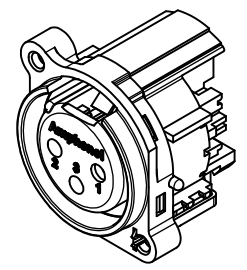
NOTE: SUFFIX "B" IN THE PART No. INDICATES BULK PACK.



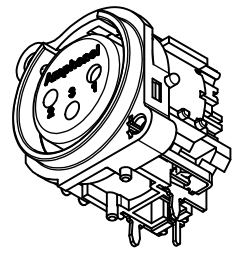
PANEL CUT OUT
REAR VIEW



SCHEMATIC CHART



3D VIEW (1:1)



UNLESS OTHERWISE SPECIFIED TOLERANCE TO BE:		THIS DOCUMENT IS THE PROPERTY OF AMPHENOL AUSTRALIA PTY. LTD. NO PART THEREOF MAY BE REPRODUCED AND USED WITHOUT THE PRIOR WRITTEN CONSENT OF THE OWNER			
LINEAR	ANGULAR	CAD FILE	DRN:	T.N	DATE:
X ±	X° ± 1	55010492000221	CKD:	P.M	DATE:
X.X ±	X.X° ± 30°		APPD:	P.M	DATE:
X.XX ±	X.XX° ± 15°				
BREAK ALL SHARP EDGES AND REMOVE ALL BURRS		MATL:	REFER TO COMPONENTS		
DO NOT SCALE		FINISH:	REFER TO COMPONENTS		
DIMENSIONS IN MILLIMETRES		THIRD ANGLE PROJECTION	SCALE:	3:2	PART No:
					AC3FBHL3-AU-B

REV	DESCRIPTION	DATE	BY	CHG NO
2	ADD SUFFIX B TO PART No.	28/07/15	T.N	9318
1	UPDATE FEMALE SHELL	2/4/2009	A.O	8793
0	FIRST ISSUE	18/09/07	T.N	8686

TITLE:		Amphenol	
XLR FEMALE B TYPE CONNECTOR		Amphenol Australia Pty.Ltd. 2 Fiveways Blvd. Keysborough, Vic3173	
CUSTOMER DWG		DRAWING NO.	SHEET
		55010492-000-2	2/2
SIZE:	A4		