



## Certifications & Ratings

- RoHS compliant

## Application

The 606 Series LED Panel Mount Indicators are designed for a variety of applications such as:

- Main power indication
  - Remote power indication
  - Status indication
  - Maintenance and warning indication
  - Instrumentation
- ... and many more!

## Dimensions

inches [mm]

Figure 1

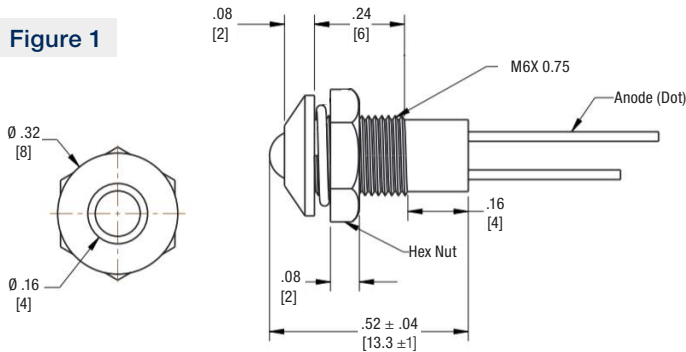


Figure 2

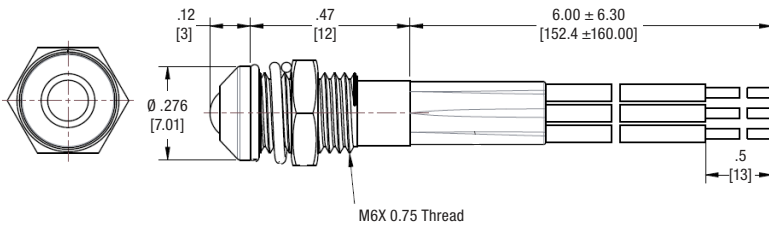
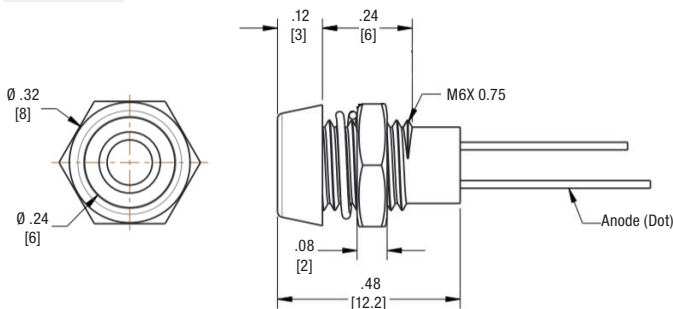


Figure 3



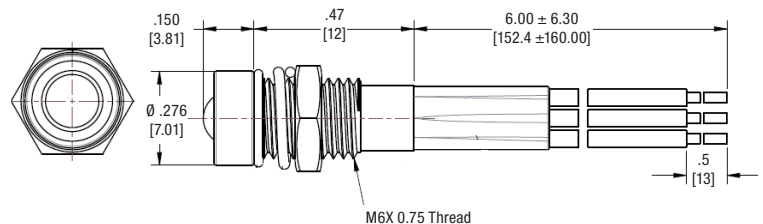
## Mechanical Information

- Mounting Hole Size:** 0.244" (6.2 mm)  
**Max Panel Thickness:** 0.138" (3.5 mm)  
**Mounting Torque:** 0.362 lbs/ft (5 kg/cm) torque

## Specifications

- Voltage Options:** 2 and 3 VDC (resistor required)  
 6 and 12 VDC / bi-color (no resistor required)
- Operating temp:** -25 °C to +85 °C (-13 °F to +185 °F)  
**Storage Temp:** -25 °C to +100 °C (-13 °F to +212 °F)
- Electrical Connection:** Through hole and 26 AWG wire leads (bi-color only)
- Housing:** Brass—Chrome Plated  
**Terminals:** Copper—Nickel Plated  
**Wire Leads:** 6" on bi-color only  
**Lock washer:** Iron—Nickel Plated  
**Nut:** Brass—Nickel Plated

Figure 4



## Ordering Information 606 Series

Part Number	Color	Voltage (VDC)	Current (mA)	Typical Intensity* (mcd)	LED Position	Finish	Figure		
606-1111-110F	● Red	2	5	45	Protruding	Chrome	1		
606-1211-110F	● Green	3	15	70					
606-1311-110F	● Yellow	2		60					
606-1215-110F	● Green	3		70					
606-1415-110F	● Red/Green	3	10	40/50			Recess	Chrome	2
606-1415-120F	● Red/Green	6		40/50					
606-1415-130F	● Red/Green	12		40/50					
606-2111-110F	● Red	2	5	45					Recess
606-2211-110F	● Green	3	15	70					
606-2311-110F	● Yellow	2		60					
606-2415-110F	● Red/Green	3	10	40/50	Recess	Chrome	4		
606-2415-120F	● Red/Green	6		40/50					
606-2415-130F	● Red/Green	12		40/50					

\*Bi-color intensity (Red/Green)