

Ratings

Voltage: 600 V
 Temperature: -40~105 °C
 Flammability: FT2

Conductor

Conductor count: 8
 Gauge: 18 AWG 0.82 mm²
 Material: tinned copper strands
 Strand size: $\phi 0.16 \times 41$
 Resistance at 20 °C: 23.2 Ω /km max

Insulator

Material: mPPE
 Color: red, black, white, yellow, blue, green, orange, purple
 Diameter: $\phi 1.8 \pm 0.10$ mm
 Average thickness: 0.29 mm
 Minimum thickness: 0.23 mm
 Resistance at 20 °C: 100 M Ω /km min

Shield

Type: foil
 Material: aluminum mylar
 Coverage: 100%

Filler

Material: cotton rope

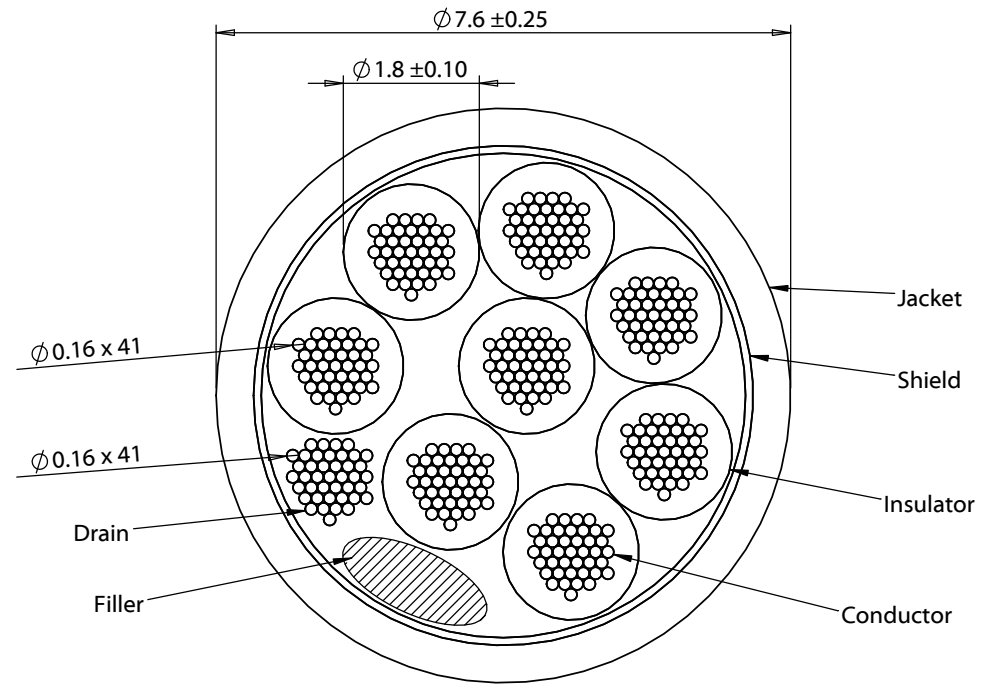
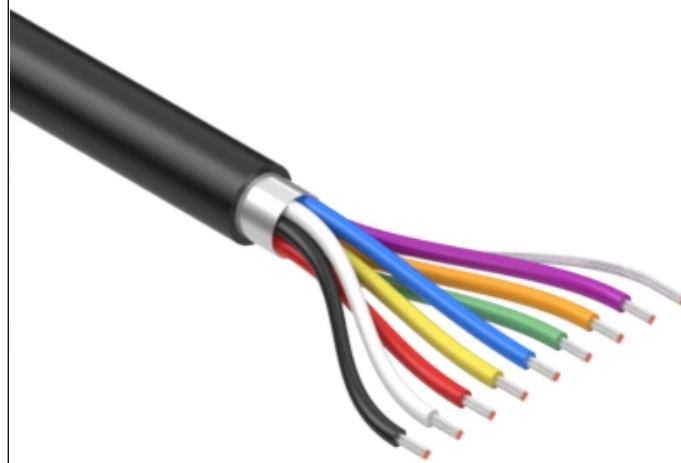
Outer jacket

Material: mPPE, 85A
 Color: black
 Diameter: $\phi 7.6 \pm 0.25$ mm
 Average thickness: 0.77 mm
 Minimum thickness: 0.54 mm

Wire marking: E339579 UL AWM STYLE 21509 18 AWG 105°C 600V --- cUL AWM I A 105°C 600V FT2 TENSILITY

Bend radius

Minimum: 6 times diameter (45.6 mm)



Revision:	Date:	Description:	Prepared:	Notes:	<h1>TENSILITY</h1> <p>tel 1.541.323.3228 800 877.670.7118 fax 1.541.323.4202 web tensility.com</p>
A	4/21/2020	Initial release	AW <small>Digitally signed by AW Date: 2020.04.21 08:39:49 -07'00'</small>	RoHS compliant	
			Verified:	Phthalate and halogen free	Size: Part number: A 30-01498
			JC <small>Digitally signed by JC Date: 2020.04.22 10:00:03 -07'00'</small>	Description:	
			Dimensions are in millimeters. Tolerances: X: ± 0.5 mm X.X: ± 0.3 mm X.XX: ± 0.05 mm	Wire, 8C TS, 18 AWG, 21509, 600V, 105C, 7.6 mm, shielded, FT2, mPPE	Scale: 10:1
					Sheet 1 of 1

5

4

3

2

1