

THIS DRAWING IS UNPUBLISHED.

RELEASED FOR PUBLICATION

© COPYRIGHT -

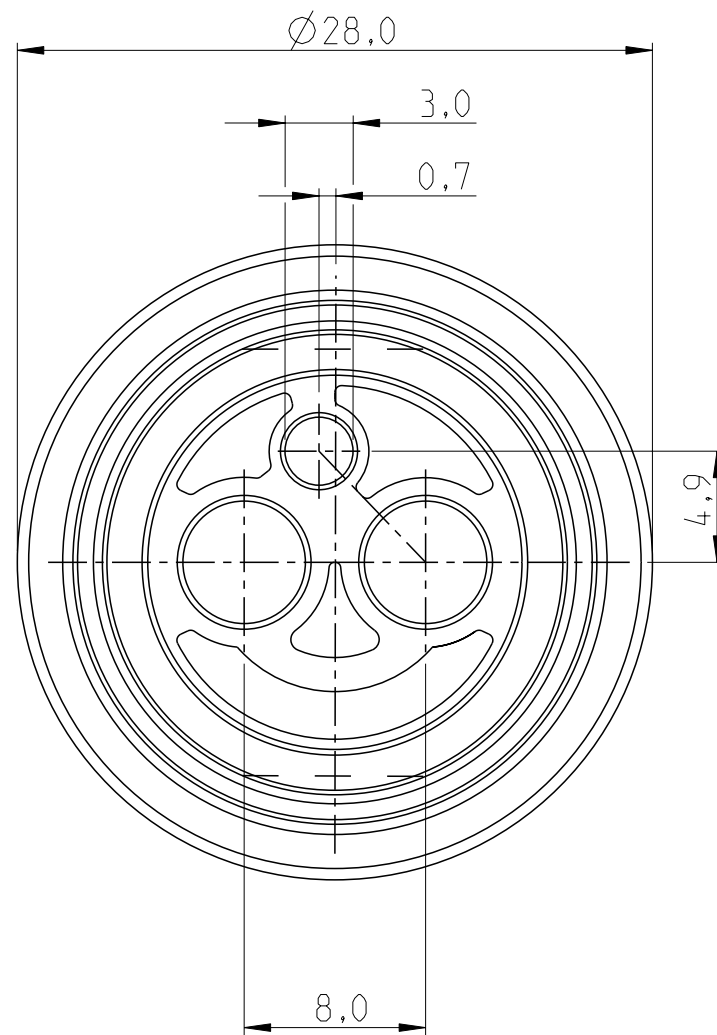
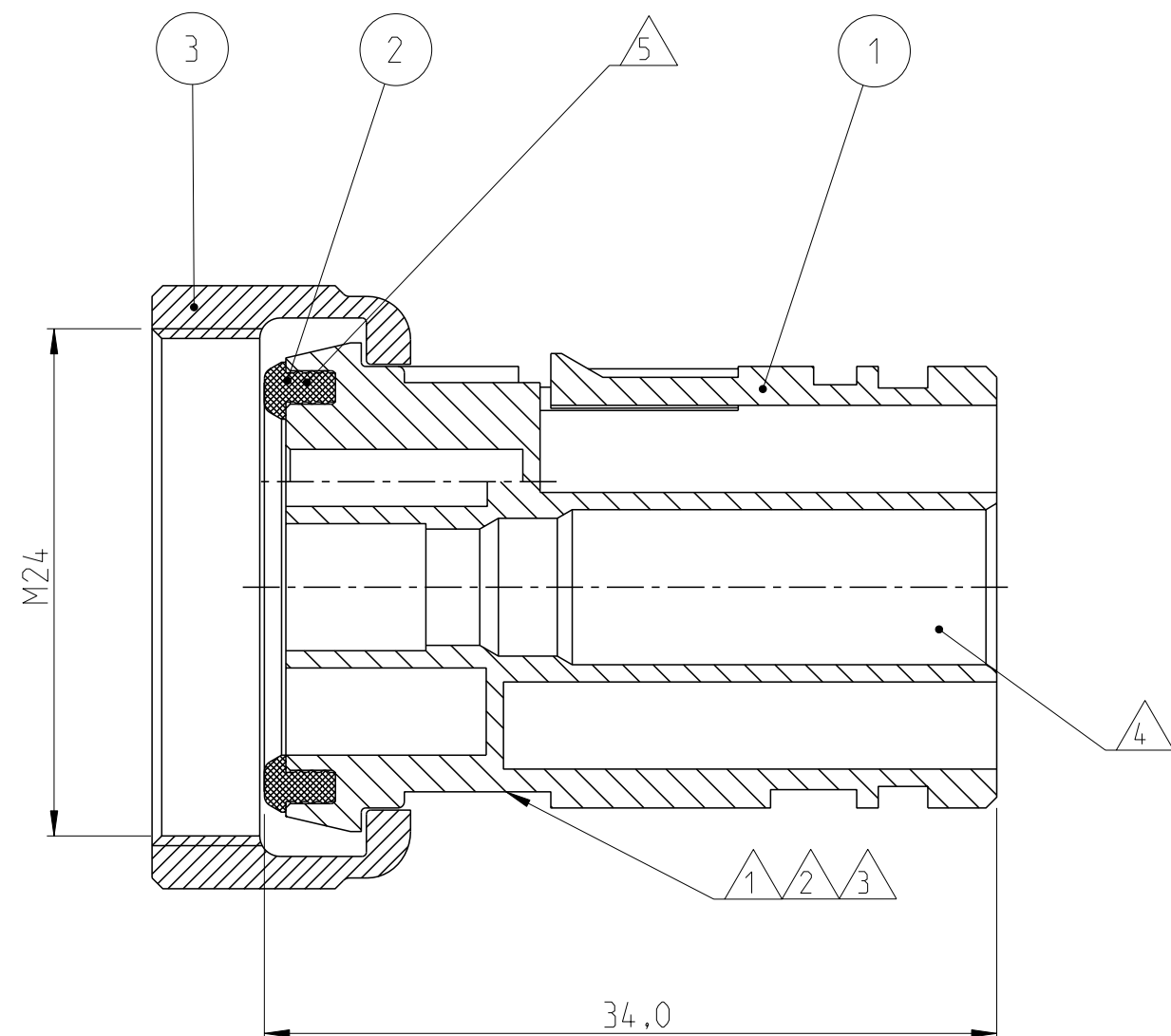
ALL RIGHTS RESERVED.

LOC
FM

DIST
-

REVISIONS

P	LTR	DESCRIPTION	DATE	DWN	APVD
A	H-9765		13MAY1992	LvdH	RotB
B	EH-08960-93		18NOV1993	DK	RotB
D1	ECR-12-004695		13MAR2012	GB	SzG
D2	ECR-13-014597		21JAN2014	GB	SzG



NOTES:

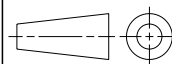
- △ 1 TRADEMARK PER SPEC. 115-19030-3
- △ 2 TE-IDENTIFICATION NUMBER ACC. DIN 1451 MITTLESCHR. HEIGHT 1.2
- △ 3 TE-MOLD IDENTIFICATION NUMBER
- △ 4 CAVITY FOR;
 - 1. 4mm. SOCKET CONTACT
WIRE SIZE 0.5-4mm²
SEE DRAWING NR.962952-1
NR.962954-1
NR.962956-1
 - 2. SCAT SEE DRAWING NR.963243-1
NR.963244-1
- △ 5 SEAL BONDED IN INSERT.

-1 AS SHOWN

BRASS	NUT M24	BRASS	100296-1	3
SILICON RUBBER	SEALING RING	BLACK	100294-1	2
PBT	2-POS. HOUSING	BLACK	100287-1	1
MATERIAL	DESCRIPTION	COLOUR/FINISH	PART NO	ITEM

THIS DRAWING IS A CONTROLLED DOCUMENT.

DIMENSIONS:
mm



TOLERANCES UNLESS OTHERWISE SPECIFIED:

0 PLC ±
 1 PLC ±0.2
 2 PLC ±0.02
 3 PLC ±0.005
 4 PLC ±
 ANGLES ±°

MATERIAL

FINISH

DWN J.v.Liempt 10FEB1992

CHK R.o.t.Berg 10FEB1992

APVD L.v.Soest 24NOV1993

PRODUCT SPEC

APPLICATION SPEC

WEIGHT

CUSTOMER DRAWING



TE Connectivity

NAME
ASSY 2 POS HOUSING FOR 4mm
SOCKET CONTACT M24 VERSION

SIZE	CAGE CODE	DRAWING NO	RESTRICTED TO
A3	00779	C=100283	-

SCALE 3:1 SHEET 1 OF 1 REV D2