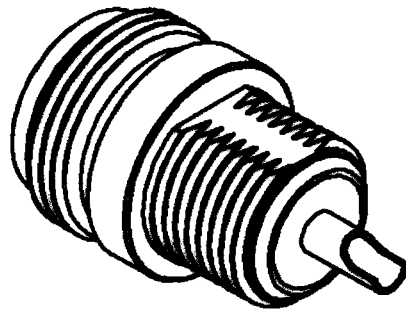
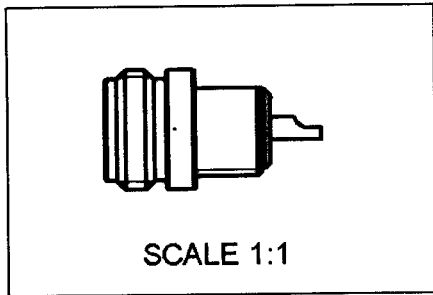
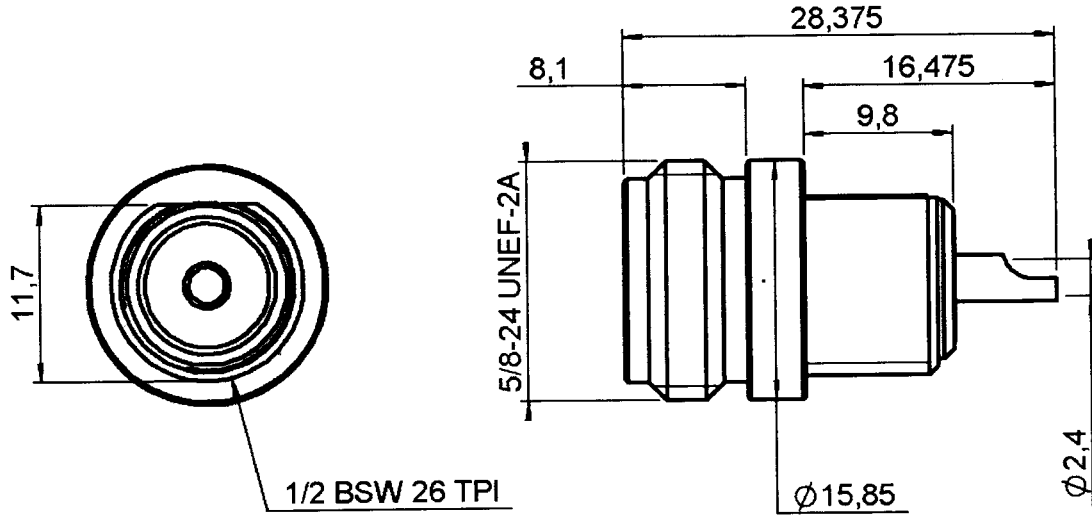


JACK RECEPTACLE FRONT MOUNTING

R161.532.020

WITH SOLDER POT CONTACT

Series : N



All dimensions are in mm.

COMPONENTS	MATERIALS	PLATING
BODY	BRASS	BBR 2 µm
CENTRE CONTACT	BERYLLIUM COPPER	GOLD 0.5 OVER NICKEL 2 µm
OUTER CONTACT	-	- µm
INSULATOR	PTFE	
GASKET	-	
OTHERS PARTS	-	- µm
.	.	.
.	.	.



JACK RECEPTACLE FRONT MOUNTING

R161.532.020

WITH SOLDER POT CONTACT

Series : N

ELECTRICAL CHARACTERISTICS

Impedance **50** Ω
 Frequency **0-11** GHz
 VSWR **1.3 + 0.000** x F(GHz) Maxi
 Insertion loss **0.048** √F(GHz) dB
 RF leakage - (- F(GHz)) dB mini
 Voltage rating **1400** Veff Maxi
 Dielectric withstanding voltage **2500** Veff mini
 Insulation resistance **5000** MΩ mini

SPECIFICATION

Stripping	a	b	c	d	e	f
mm	0.00	0.00	0.00	0.00	0.00	0.00

Assembly instruction : **A**

Recommended cable(s)

MECHANICAL CHARACTERISTICS

Centre contact retention
 Axial force – Mating end **27** N mini
 Axial force – Opposite end **27** N mini
 Torque **NA** N.cm mini

Cable retention
 - pull off **NA** N mini
 - torque **-** N.cm

TOOLING

Part Number	Description	Hexagon
.	.	.

Recommended torque
 Mating **NA** N.cm
 Panel nut **NA** N.cm
 Clamp nut **NA** N.cm
 A/F clamp nut **0.000** mm

OTHERS CHARACTERISTICS

Mating life **500** Cycles mini
 Weight **17.500** g

ENVIRONMENTAL

Operating temperature **-55/+165** °C
 Leakage – pressurised only **NA** Atm.cm3/s
 Hermetic seal **NA** Mpa

