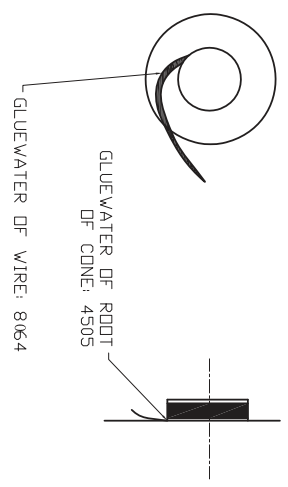
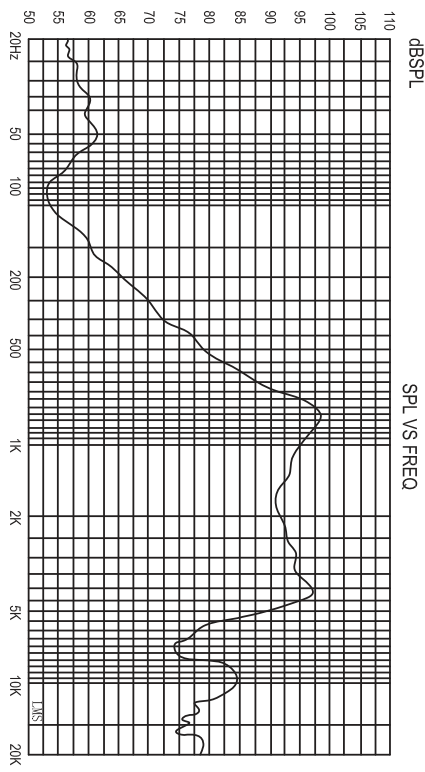
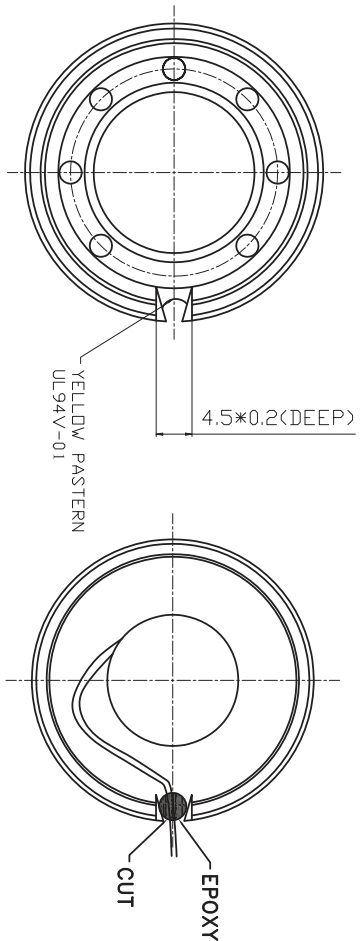


- NOTES:
1. COPPER WIRE: SDHT: 0.05mm
 2. GUEWATER: 8064
 3. WIRE/CONNECTOR PULL FORCE: BOTH WIRES: 0.7kg FORCE SINGLE WIRE: 0.5kg FORCE
 4. MYLAR BLACK CONE



NOTE: ALL DIMS ARE IN mm.

ECN#	DATE	SYM	REVISION RECORD
08-431	12/02/08	E	CHANGED THE DRAWING TO NEW PRINT
07-356	07/19/07	D	ADD DATE CODE AND BOTH NOTES
07-244	04/25/07	C	REVISED THE PARTSEE DRAWING
06-566	08/16/06	B	REVISED THE PRINTSEE DRAWING
06-431	06/16/06	A	CHANGED THE PRINTSEE VDIC COPY

SCALE	TITLE	DR	DATE	REF	SIZE	SHEET
N/A	SPEAKER-ROHS COMPLIANT	LUCIA	08/12/04	F/N/ 28A1050-8B-(IP)-0428-NL	1 OF 2	2

PROJECTION

SCALE N/A

TOLERANCE EXCEPT AS NOTED

DEC. INCHES N/A

DEC. MILLIMETERS ±0.3

ANG. ±0°-5'

THIS DOCUMENT IS OWNED BY, AND THE INFORMATION CONTAINED IN IT IS PROPRIETARY TO, RDI. BY RECEIPT HEREOF THE HOLDER AGREES NOT TO USE THE INFORMATION AND NOT TO DISCLOSE IT TO ANY THIRD PARTY, NOR REPRODUCE THIS DOCUMENT WITHOUT THE WRITTEN CONSENT OF RDI, AND AGREES TO RETURN THIS DOCUMENT UPON REQUEST.

RDI Research Develop Innovate

RDI, Inc. 333 North Bedford Road, Suite 135, Mount Kisco, NY 10549

NO.	ITEM	SPECIFICATION	TEST CONDITION
1	NOMINAL IMPEDANCE	8 OHM ±15 %	AT 1000HZ 1.0 V
2	RESONANCE FREQUENCY	800 ±160HZ	WITHOUT BAFLE 1.0V
3	OUTPUT S.P.L	90± 3 dB 0.1W / 10cm	AT 800,1000,1200,1500,2000Hz
4	RATED INPUT POWER	0.5W	
5	MAX. INPUT POWER	0.8W	
6	FREQUENCY RESPONSE	Fo - 5.9KHz	OUTPUT S.P.L. -10 DB
7	BZZES & RATTLES		AT 2V SINE WAVE BETWEEN 200Hz ~ 2KHz
8	DISTORTION	5% MAX.	RATED POWER INPUT AT 1000 Hz
9	POLARITY	WHEN A POSITIVE D.C CURRENT IS APPLIED TO THE VOICE COIL TERMINAL MARKED +, THE DIAPHRAGM SHALL MOVE FORWARD	
10	FLUX DENSITY	--- GAUSS	
11	MAGNET	SIZE:Ø12.5X2.0NDFeB	
12	WEIGHT OF PART WITHOUT ASSEMBLY	9.12749g	
13	HIGH CONDITION TEMPERATURE TEST		AFTER HAVING BEEN IN A TEST CHAMBER FOR 96 HOURS AT THE CONDITION OF +80°C 20 -25% R.H AND THEN LEFT 2 HOURS IN A ROOM, SHOULD SATISFY THE DESCRIBED UNDER TEST CONDITIONS 1 THROUGH 8.
14	LOW CONDITION TEMPERATURE TEST		AFTER HAVING BEEN IN A TEST CHAMBER FOR 96 HOURS AT THE CONDITION OF -25°C± 3°C AND THEN LEFT 2 HOURS IN A ROOM, SHOULD SATISFY THE DESCRIBED UNDER TEST CONDITIONS 1 THROUGH 8.
15	HUMIDITY TEST		AFTER HAVING BEEN IN A TEST CHAMBER FOR 96 HOURS AT THE CONDITION OF +40°C 90 ~ 95% R.H AND THEN LEFT 4 HOURS IN A ROOM, SHOULD SATISFY THE TEST DESCRIBED UNDER TEST CONDITIONS 1 THROUGH 8.
16	LOAD TEST		AT 0.5W WHITE NOISE IS APPLIED FOR 96 HOURS AND THEN SHOULD SATISFY THE TEST DESCRIBED UNDER TEST CONDITIONS 1 THROUGH 8.
17	DROP TEST		DROP THE SPEAKERS CONTAINED IN NORMAL BOX ONTO A BOARD 5mm THICK 2 TIMES FROM A HEIGHT OF 1.0m AND THEN SHOULD SATISFY THE TEST DESCRIBED UNDER TEST CONDITIONS 1 THROUGH 8.
18	OPERATING TEMPERATURE	-25°C TO + 60°C	
19	STORAGE TEMPERATURE	-40°C TO + 70°C	
20	ACCELERATED OPERATIONAL TEST		USE A SIGNAL GENERATOR INPUT 4V VOLTAGE AND 800HZ IMMMOVABLE FREQUENCY SIGNAL FOR 48 HOURS,SHOULD SATISFY THE TEST DESCRIBED UNDER TEST CONDITIONS 1 THROUGH 8.

ECN#	DATE	SYM	REVISION RECDR
08-431	12/02/08	E	CHANGED THE DRAWING TO NEW PRINT
07-356	07/19/07	D	ADD DATE CODE AND BOTH NOTES
07-244	04/25/07	C	REVISED THE PARTSEE DRAWING
06-566	08/16/06	B	REVISED THE PRINTSSEE DRAWING
06-431	06/16/06	A	CHANGED THE PRINTSSEE VDIC COPY

NOTE: ALL DIMS ARE IN mm.

PROJECTION		TITLE	SPEAKER-ROHS COMPLIANT		SHEET
SCALE	N/A	DR	DATE	REF.	2 OF 2
TOLERANCE	EXCEPT AS NOTED	LUCIA	08/12/04	P/N: 28A1050-8B-(IP)-0428-NL	
DEC. INCHES	N/A	JY	PRE-SP	DRAWING NO. 2037	REV. E
DEC. MILLIMETERS	±0.3	THIS DOCUMENT IS OWNED BY AND THE INFORMATION CONTAINED IN IT IS PROPRIETARY TO RDI. BY RECEIPT HEREOF THE HOLDER AGREES NOT TO USE THE INFORMATION AND NOT TO DISCLOSE IT TO ANY THIRD PARTY, NOR REPRODUCE THIS DOCUMENT WITHOUT THE WRITTEN CONSENT OF RDI, AND AGREES TO RETURN THIS DOCUMENT FORTHWITH UPON REQUEST.			
ANG.	±0° -5'				



Research Develop Innovate

RDI, Inc. 333 North Bedford Road, Suite 135, Mount Kisco, NY 10549