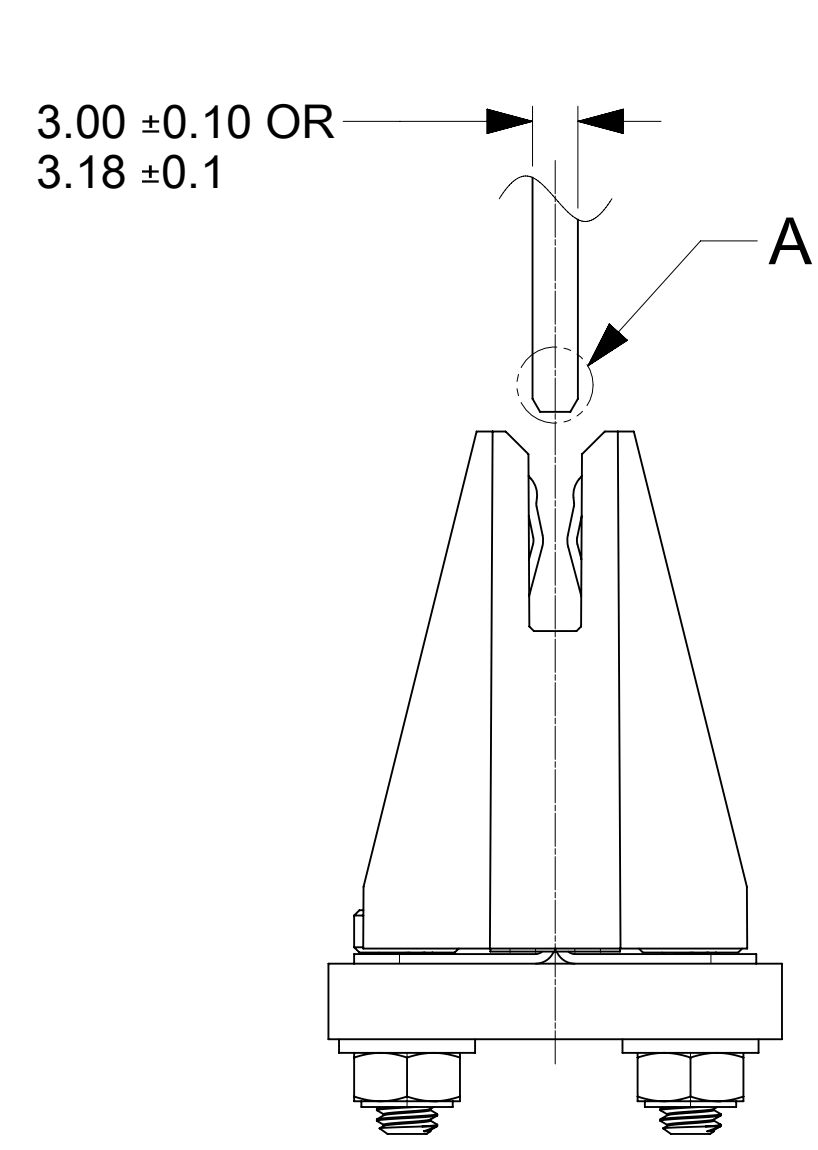
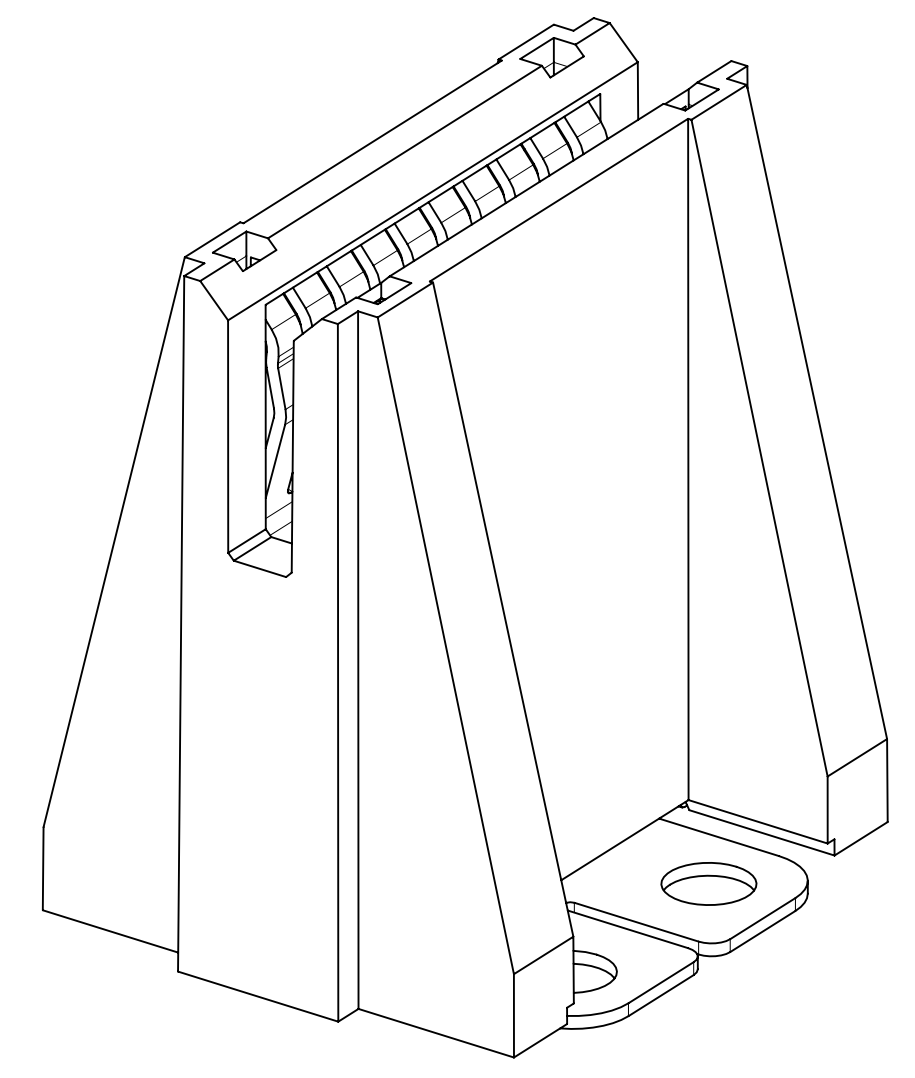
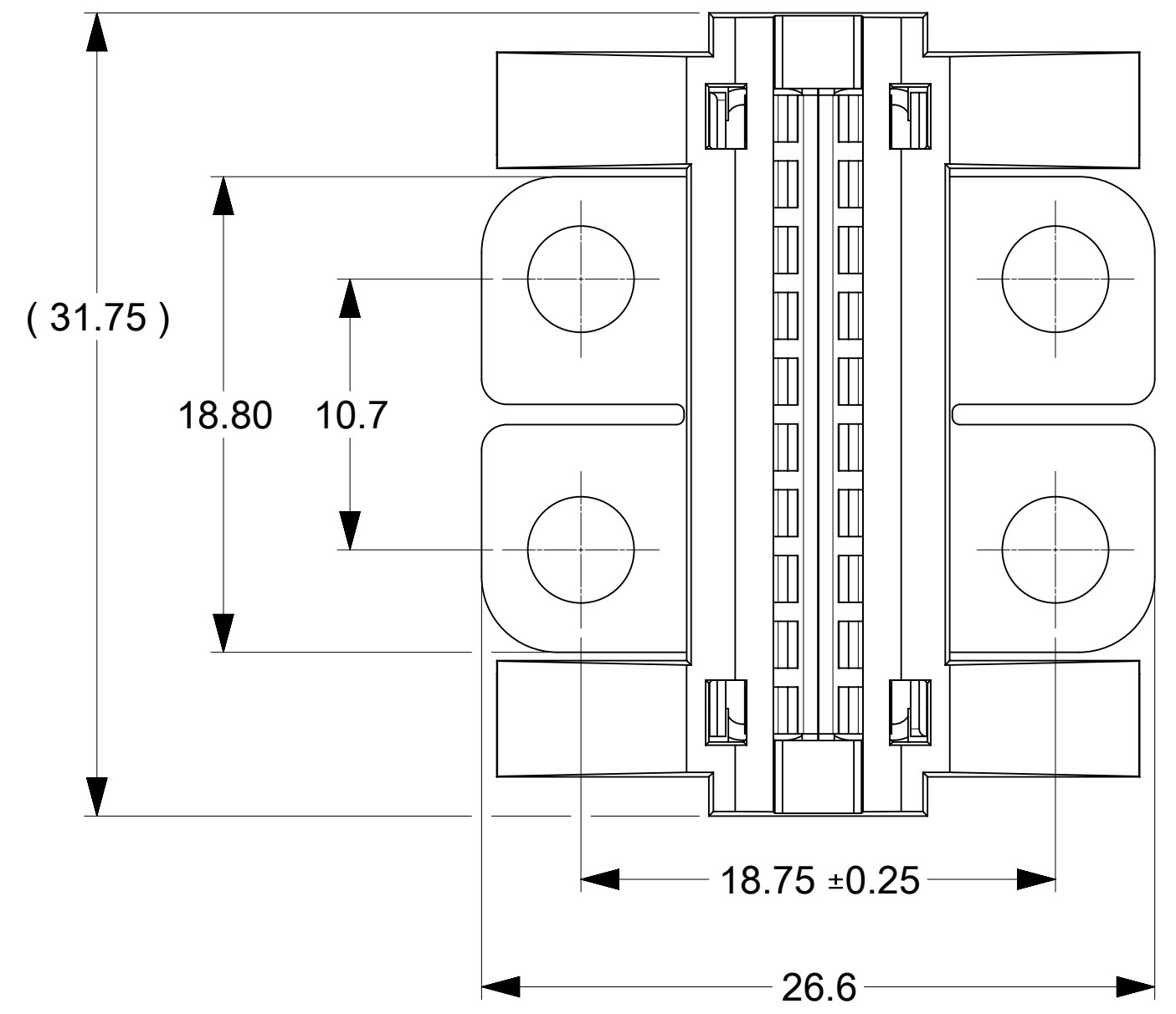
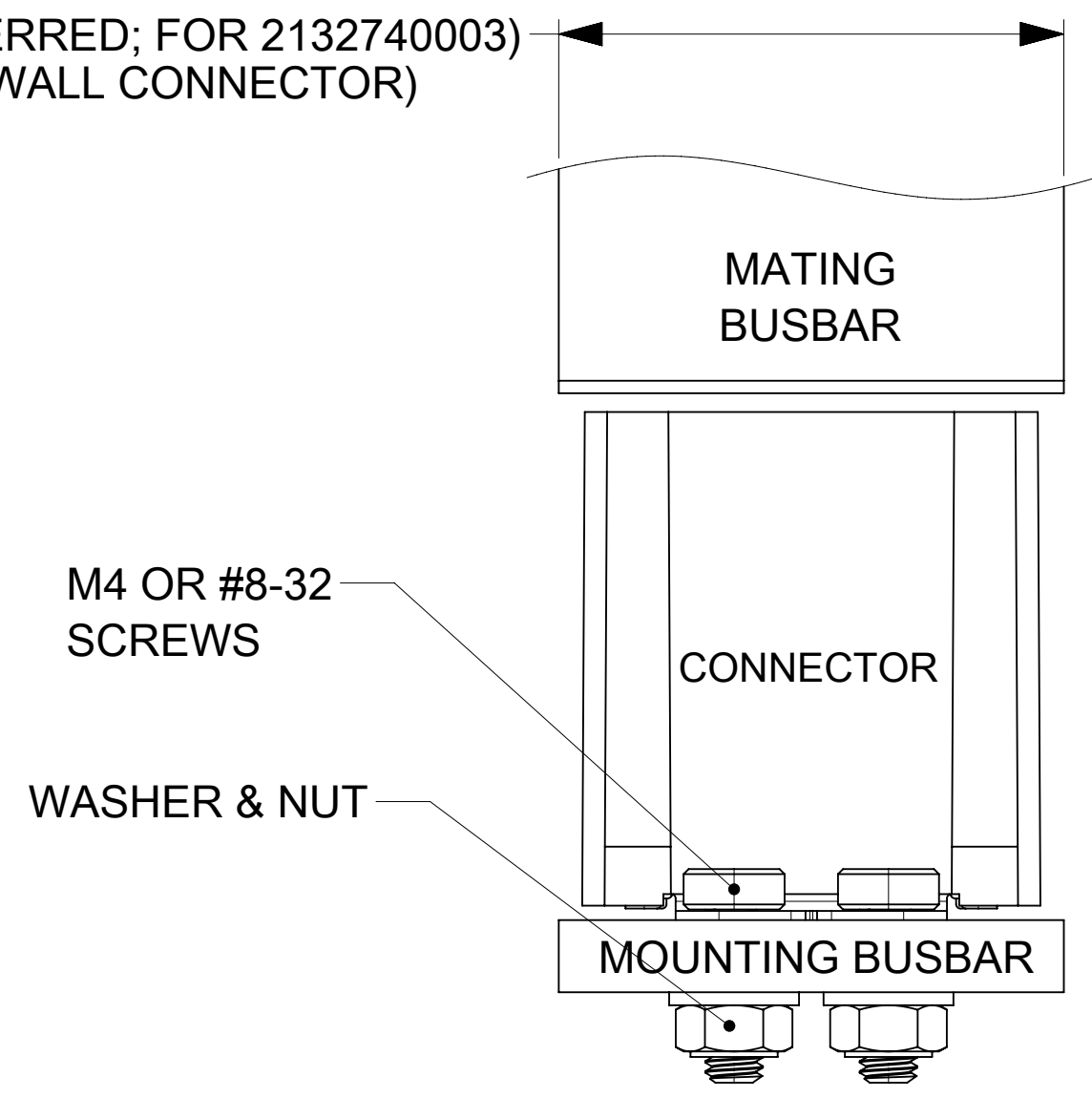


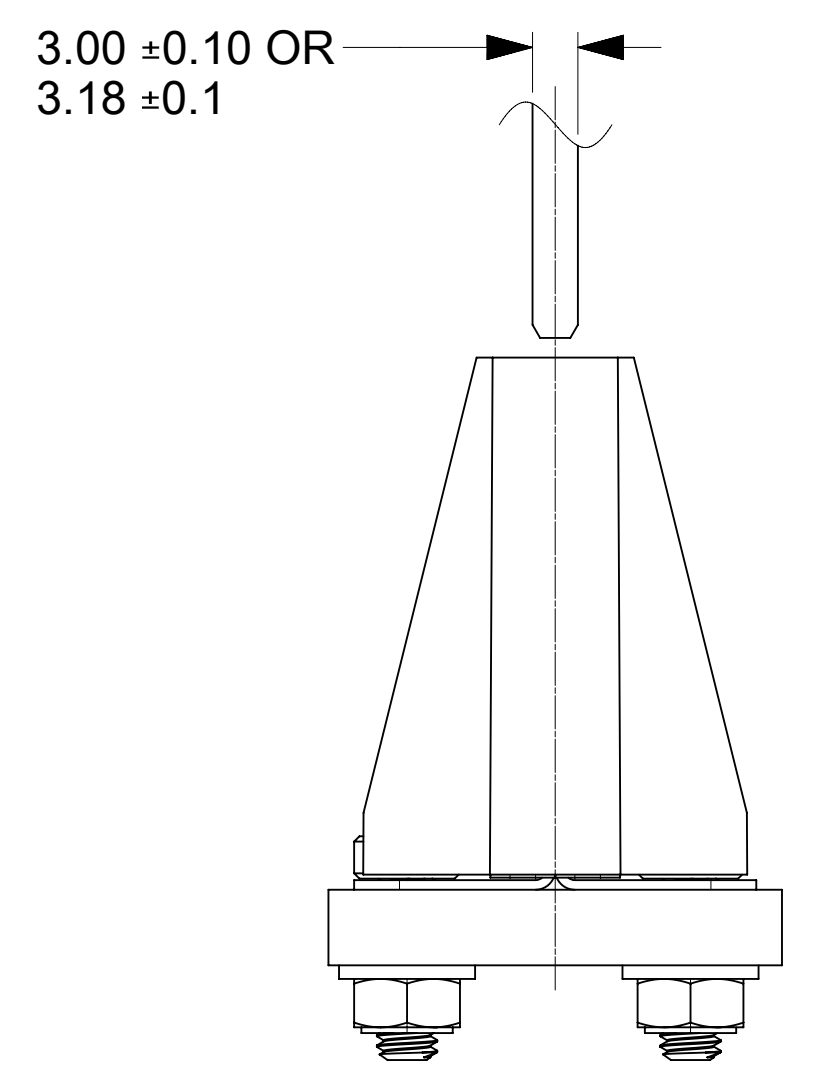
PART NUMBER	DESCRIPTION	NOTE
2132740003	OPEN SIDE WALL	
2132741003	CLOSED SIDE WALL	



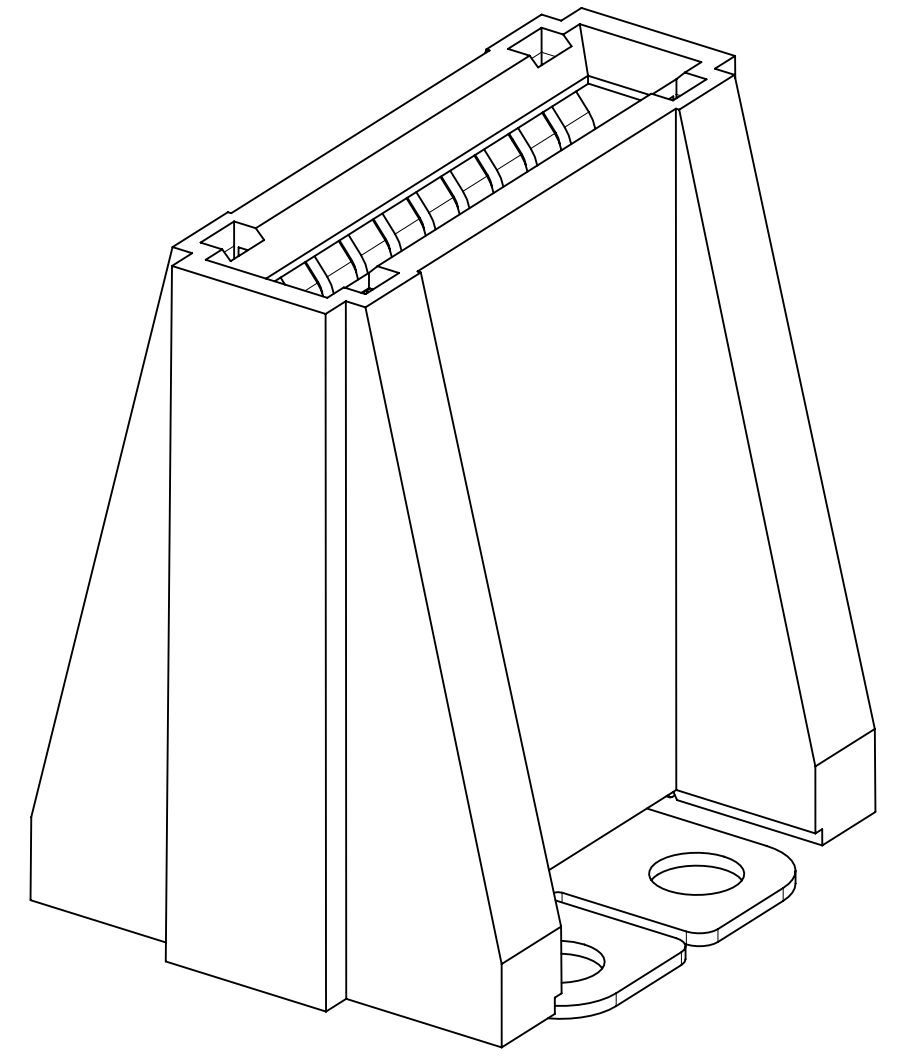
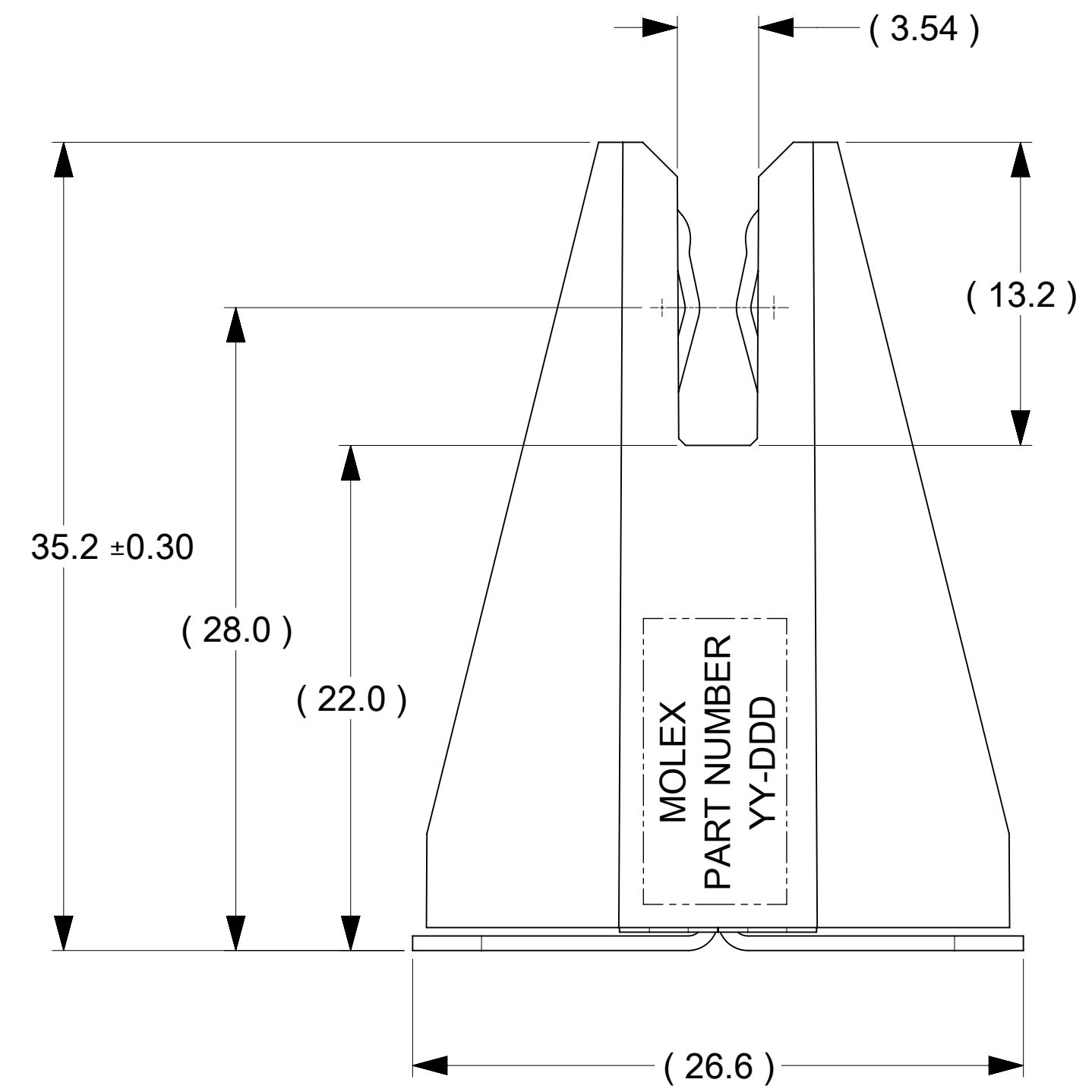
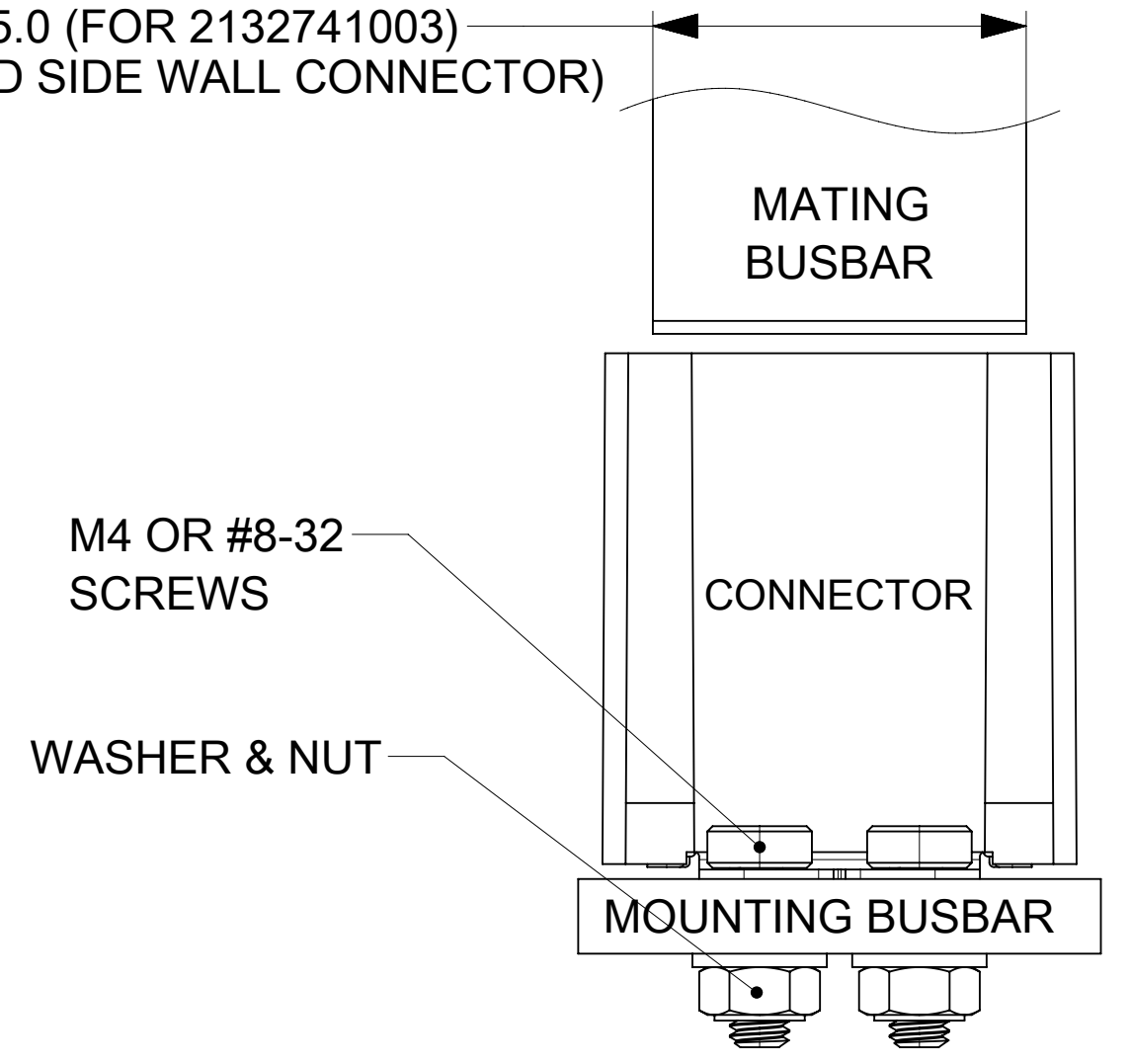
>30 (>35 IS PREFERRED; FOR 2132740003)
(OPEN SIDE WALL CONNECTOR)



PART NUMBER: 2132740003
(OPEN SIDE WALLS)

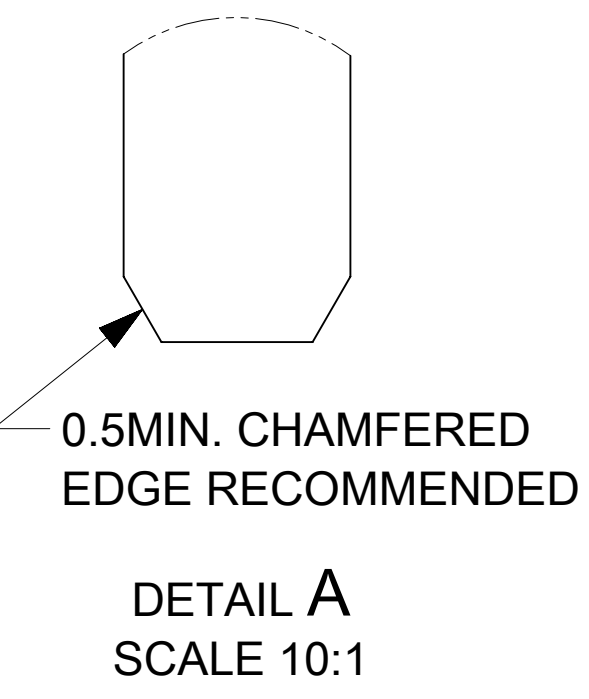
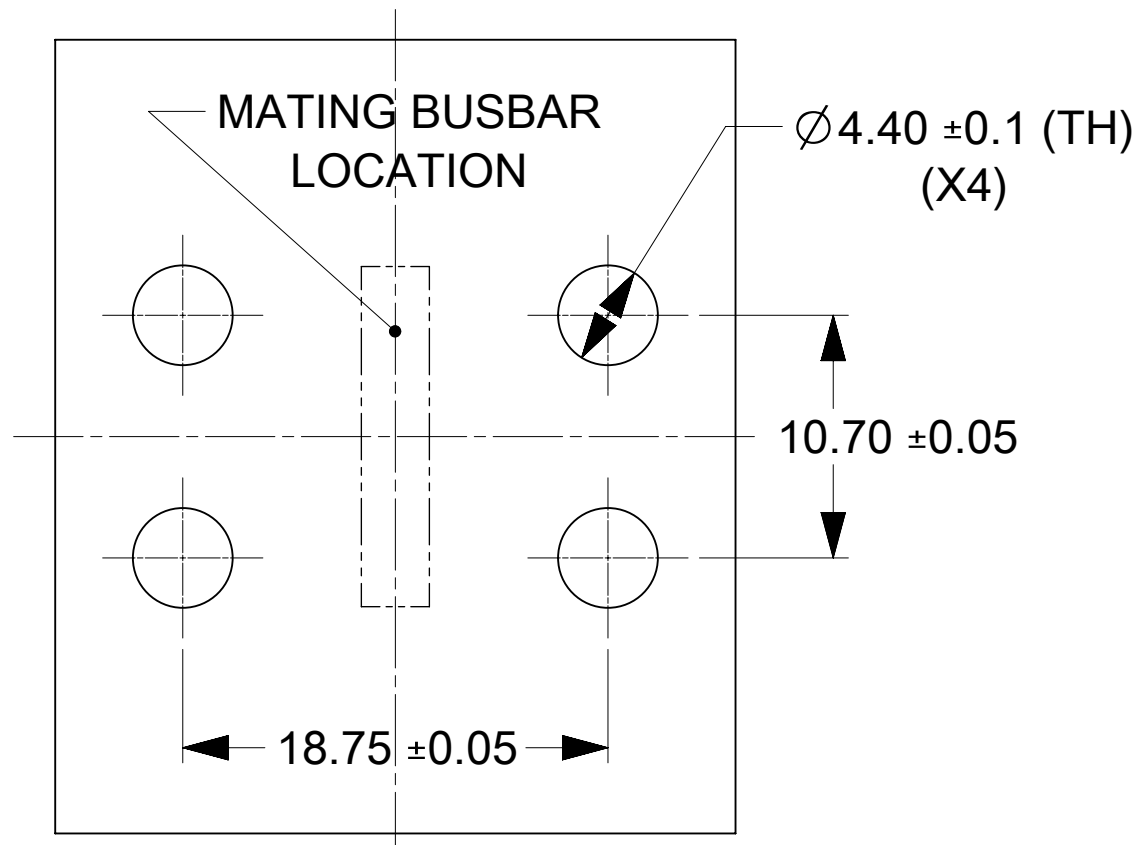


25.0 (FOR 2132741003)
(CLOSED SIDE WALL CONNECTOR)



PART NUMBER: 2132741003
(CLOSED SIDE WALLS)

BUSBARS, SCREWS, WASHER AND NUTS
IN THESE VIEWS ARE SHOWN FOR REFERENCE



- NOTES:
- MATERIALS:
 - HOUSING BODY: POLYMER, UL94V-0, BLACK.
 - TERMINALS: COPPER ALLOY.
 - RIVET/CLIP: COPPER ALLOY.
 - PLATING:
 - CONTACT AREAS: 3.18 MICRON MIN. SILVER, OVER 1.27 MICRON MIN. NICKEL.
 - TAB AREAS: 3.18 MICRON MIN. TIN OVER 1.27 MICRON MIN. NICKEL.
 - REST: 1.27 MICRON MIN. NICKEL.
 - LUBRICATION: LUBED IN CONTACT AREA.
 - REFERENCE DOCUMENT: 2132740001-PS, 2132740001-AS
 - MODULE ASSEMBLY IS RoHS COMPLIANT.
 - FINAL ASSEMBLY TO BE PACKAGED AND LABELED PER PACKAGING KIT DRAWING NUMBER 2132740003-PK.

FUNCTIONAL SYMBOLS	THIS DRAWING CONTAINS INFORMATION THAT IS PROPRIETARY TO MOLEX ELECTRONIC TECHNOLOGIES, LLC AND SHOULD NOT BE USED WITHOUT WRITTEN PERMISSION		CURRENT REV DESC:	
$F_A = 0$	DIMENSION UNITS	SCALE		
$F_C = 0$	mm	3:1		
$F_D = 0$	GENERAL TOLERANCES (UNLESS SPECIFIED)			
	ANGULAR TOL	± °		
	4 PLACES	±		
	3 PLACES	±		
	2 PLACES	± 0.15		
	1 PLACE	± 0.25		
	0 PLACES	±		
DIVISIONAL SYMBOLS	DRAFT WHERE APPLICABLE MUST REMAIN WITHIN DIMENSIONS			
	THIRD ANGLE PROJECTION	DRAWING	SERIES	MATERIAL NUMBER
		D-SIZE	213274	SEE CHART
			EC NO: 690682	2020/03/02
			DRWN: TOMLU	2022/01/03
			CHK'D: BPISZCZOR	2022/01/04
			APPR: BPISZCZOR	2022/01/04
			INITIAL REVISION:	
			DRWN: TOMLU	2020/03/02
			APPR: BPISZCZOR	2021/12/21
			DOCUMENT NUMBER	DOC TYPE DOC PART REVISION
			2132740003-SD	PSD 000 A1
			CUSTOMER	SHEET NUMBER
				1 OF 1

RECOMMENDED BUSBAR LAYOUT

DOCUMENT STATUS	P1	RELEASE DATE	2022/01/07	20:21:56
-----------------	----	--------------	------------	----------