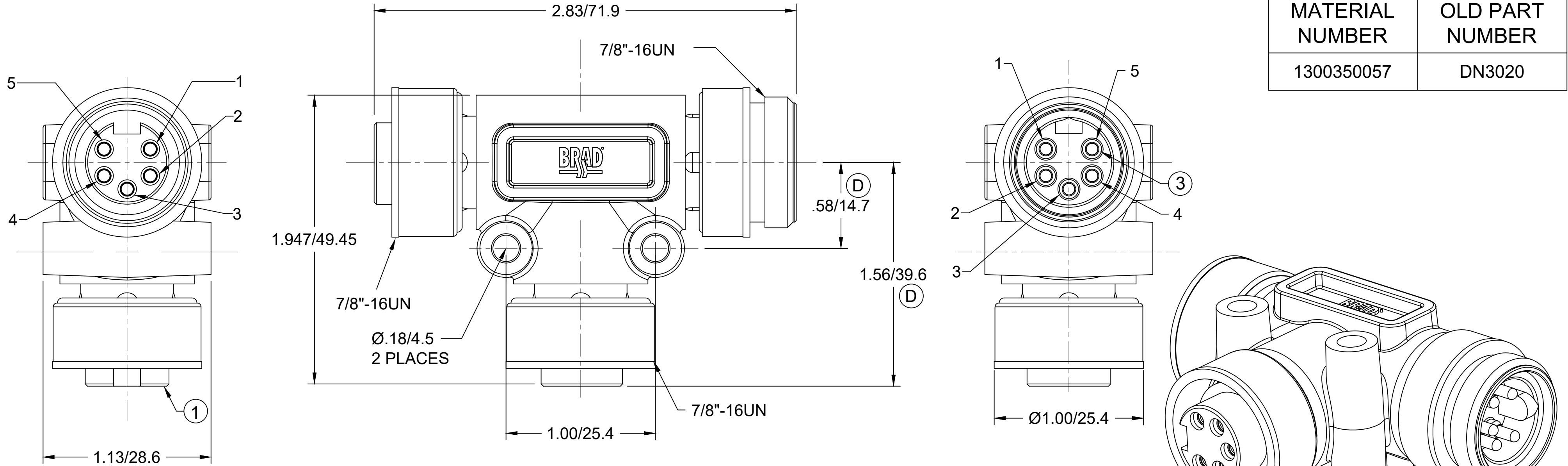
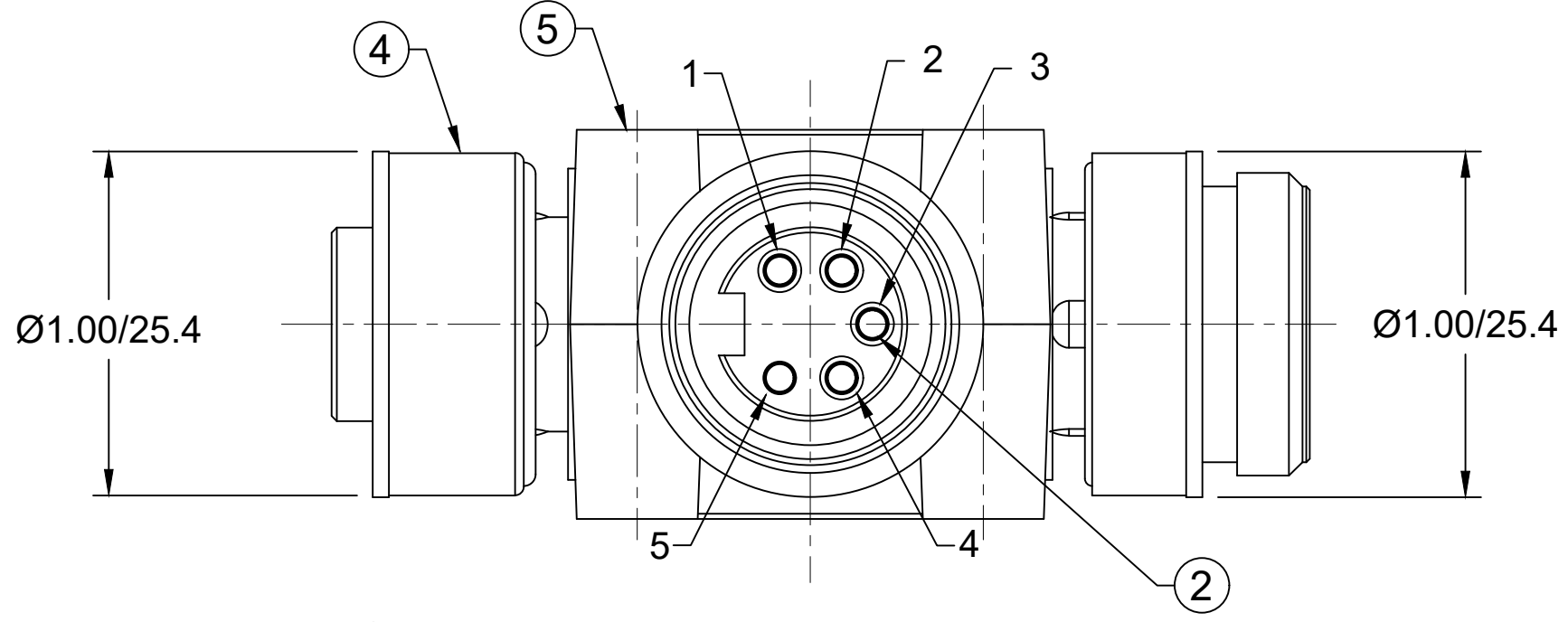


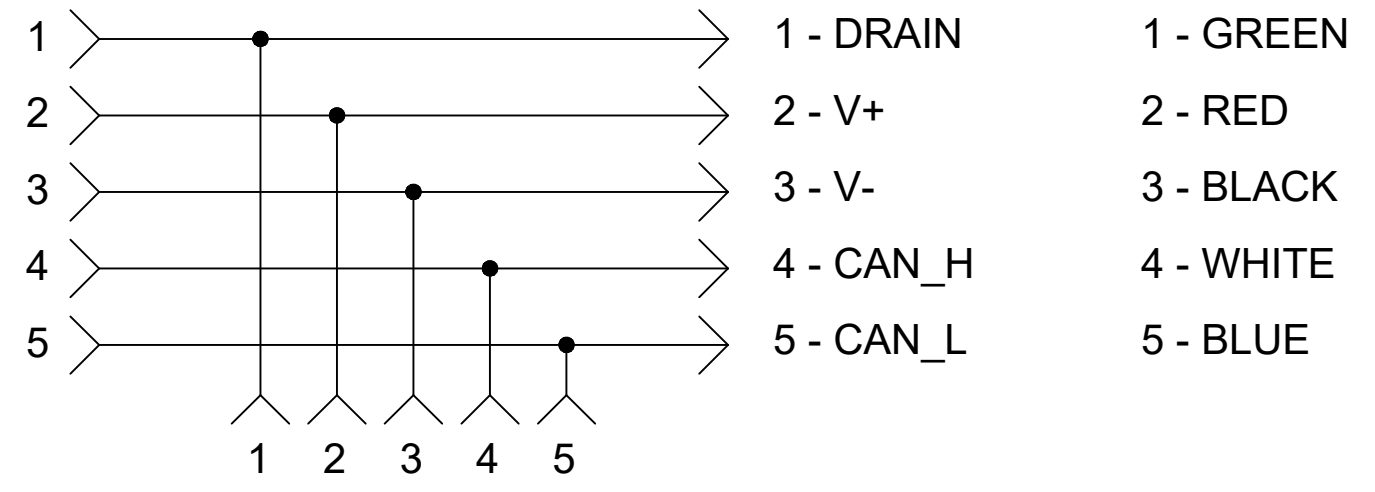
MATERIAL NUMBER	OLD PART NUMBER
1300350057	DN3020



- NOTES:
1. MATERIAL: AS NOTED
 2. FINISH: AS NOTED
 3. ELECTRICAL:
VOLTAGE RATING PER IEC 60664: 600V ^(D)
VOLTAGE RATING PER UL: 600V
CURRENT: 8A
 4. TEMP RATING: -20° TO +105°C ^(D)
 5. PROTECTION: IP67 (WHEN MATED)
 6. COUPLING THREAD- AS NOTED
 7. UL RECOGNIZED FILE: E152210
CSA CERTIFIED FILE: LR6837
 8. ALL DIMENSIONS ARE FOR REFERENCE
UNLESS TOLERANCED OR NOTED OTHERWISE



SCHEMATIC



ITEM	COMPONENT	MATERIAL	FINISH
1	INSERT	TPC	GRAY ^(D)
2	CONTACT SOCKET	COPPER ALLOY	GOLD OVER NICKEL
3	CONTACT PIN	COPPER ALLOY	GOLD OVER NICKEL
4	COUPLING NUT	ZINC DIE CAST	BLACK E-COATED
5	OVERMOLD	TPC	GRAY ^(D)

THIS DRAWING CONTAINS INFORMATION THAT IS PROPRIETARY TO MOLEX ELECTRONIC TECHNOLOGIES, LLC AND SHOULD NOT BE USED WITHOUT WRITTEN PERMISSION

FUNCTIONAL SYMBOLS	DIMENSION UNITS	SCALE	CURRENT REV DESC: ITEM# 1 & 5 WERE TPE. UPDATED TEMP RATING & IEC VOLTAGE RATING. ADDED DIMS ZONE G6
$\nabla_A=0$	INCH/MM	NTS	
$\nabla_C=0$	GENERAL TOLERANCES (UNLESS SPECIFIED)		
$\nabla_P=0$		mm	INCH
DIVISIONAL SYMBOLS	4 PLACES	±----	±----
	3 PLACES	±----	±0.005
	2 PLACES	±0.13	±0.01
	1 PLACE	±0.25	±0.02
	0 PLACES	±----	±----
	ANGULAR TOL ± 0.5°		
	DRAFT WHERE APPLICABLE MUST REMAIN WITHIN DIMENSIONS		
	THIRD ANGLE PROJECTION	DRAWING	SERIES
		C-SIZE	130035
	EC NO: 645633		DRWN: ABENJAMINLW 2020/09/04
	CHK'D: RSTONE		2020/09/29
	APPR: BWOODMAN		2020/10/23
	INITIAL REVISION:		
	DRWN: BWOODMAN		2009/03/04
	APPR: JFMURPHY		2009/03/31
	DOCUMENT NUMBER	DOC TYPE/DOC PART	REVISION
	SD-130035-002	PSD	001 D
	MATERIAL NUMBER	CUSTOMER	SHEET NUMBER
	SEE CHART	GENERAL MARKET	1 OF 1