



Series 47B: Sealed Miniature Rocker and Paddle Switches

SERIES 47B

Sealed Miniature Rocker and Paddle Switches

FEATURES

- Save Space and Weight
- SPDT, DPDT and 3PDT Circuitry
- Choice of Actuators and Terminations
- Sealed per IP-67



MODELS in inches (and millimeters)

MODEL NO.	SWITCH POSITION		
WSP1	ON	NONE	ON
WSP2	ON	NONE	(ON)
WSP3	ON	OFF	ON
WSP4	(ON)	OFF	(ON)
WSP5	ON	OFF	(ON)
TERM. COMM.	2-3	OPEN	2-1

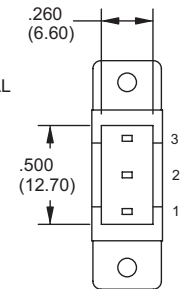
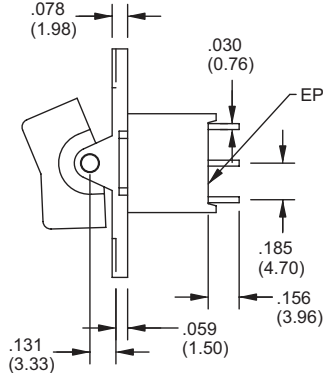
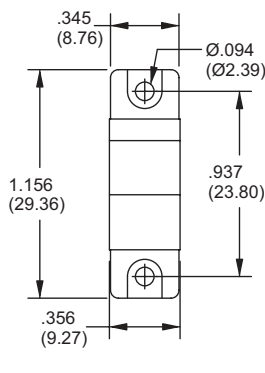
()=MOMENTARY

02COMM.

SCHEMATIC



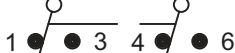
SPDT



MODEL NO.	SWITCH POSITION		
WDP1	ON	NONE	ON
WDP2	ON	NONE	(ON)
WDP3	ON	OFF	ON
WDP4	(ON)	OFF	(ON)
WDP5	ON	OFF	(ON)
TERM. COMM.	2-3,5-6	OPEN	2-1,5-4

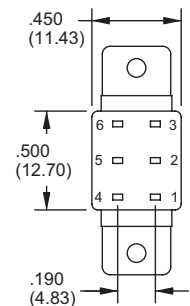
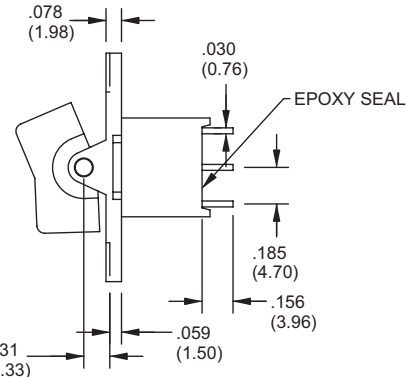
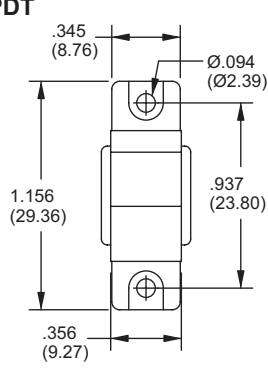
()=MOMENTARY

02COMM. 05COMM.



SCHEMATIC

DPDT



MODEL NO.	SWITCH POSITION		
W3P1	ON	NONE	ON
W3P2	ON	NONE	(ON)
W3P3	ON	OFF	ON
W3P4	(ON)	OFF	(ON)
W3P5	ON	OFF	(ON)
TERM. COMM.	2-3,5-6	OPEN	2-1,5-4

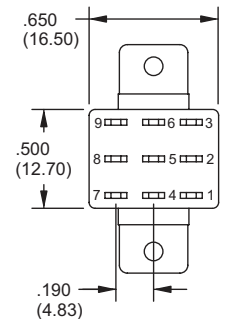
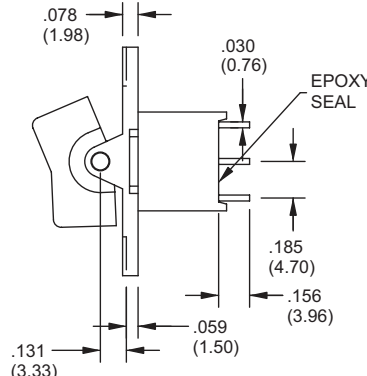
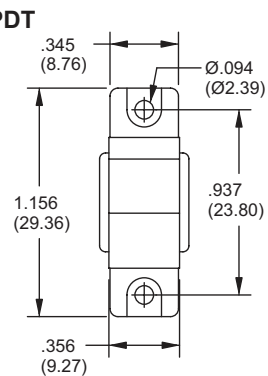
()=MOMENTARY

02COMM. 05COMM. 08COMM.



SCHEMATIC

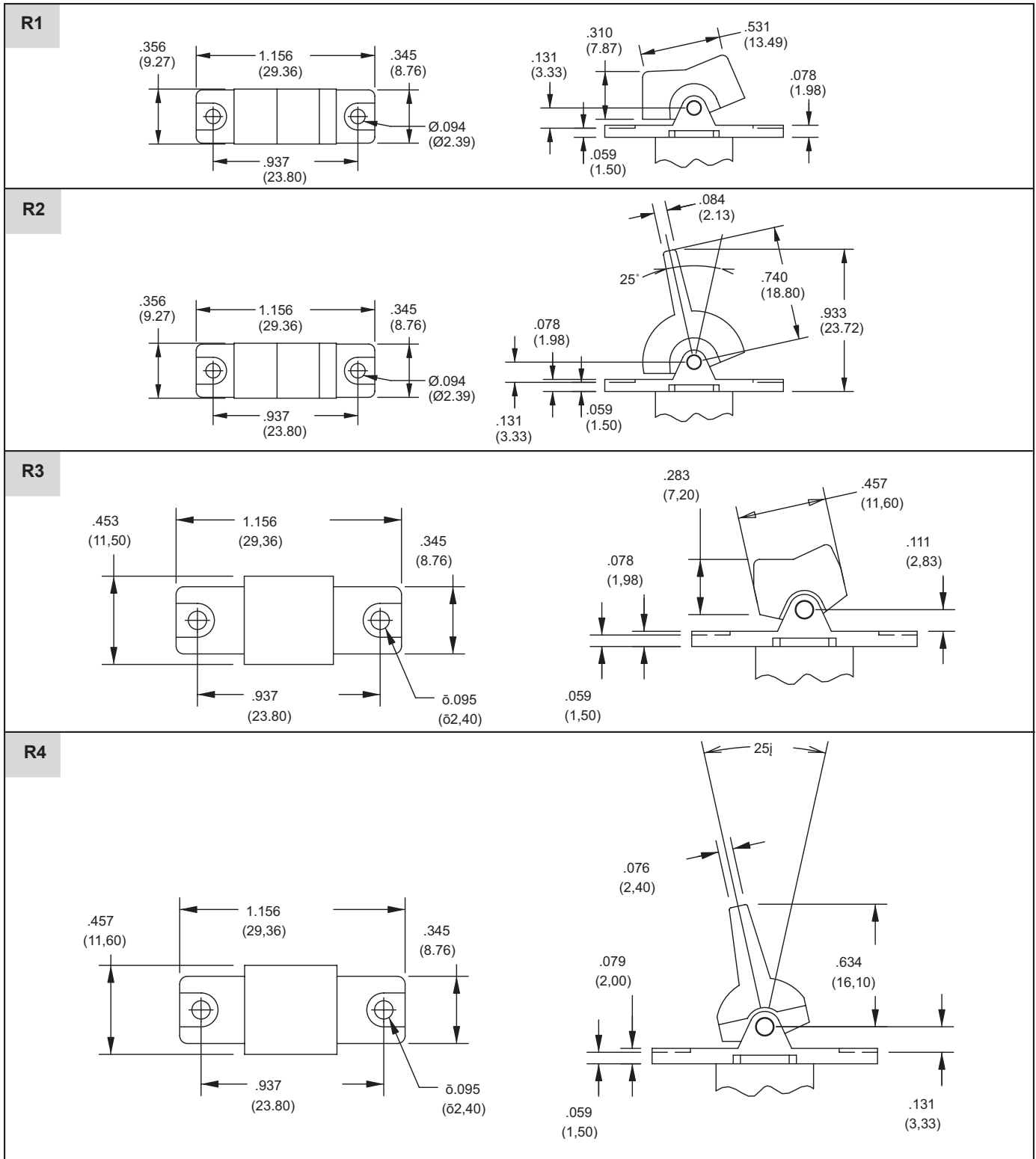
3PDT



Series 47B: Sealed Miniature Rocker and Paddle Switches



ACTUATOR OPTIONS in inches (and millimeters)



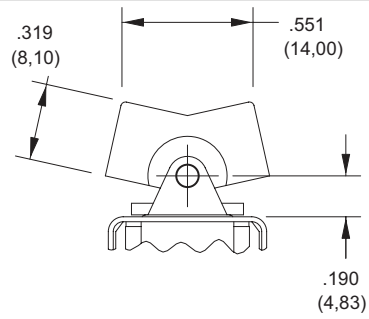
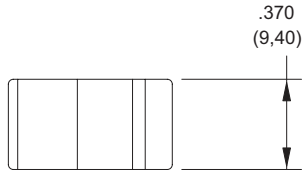
Rocker and Paddle Switches



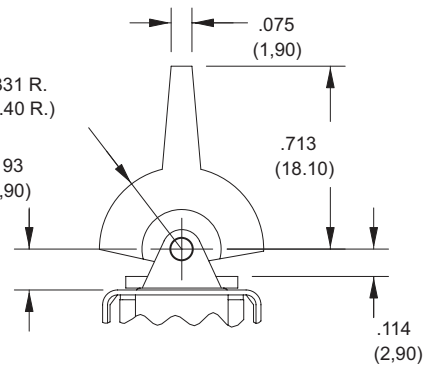
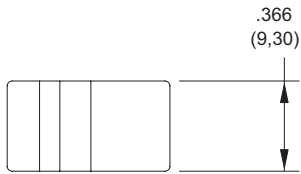
Series 47B: Sealed Miniature Rocker and Paddle Switches

ACTUATOR OPTIONS in inches (and millimeters)

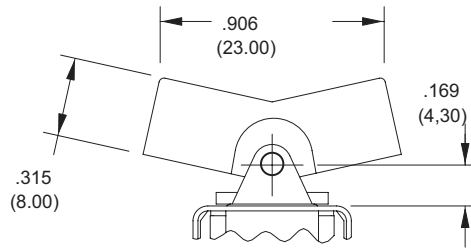
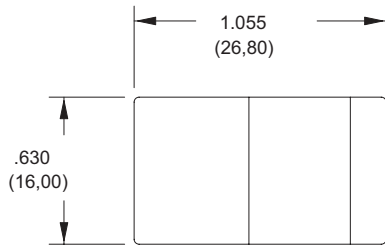
J1



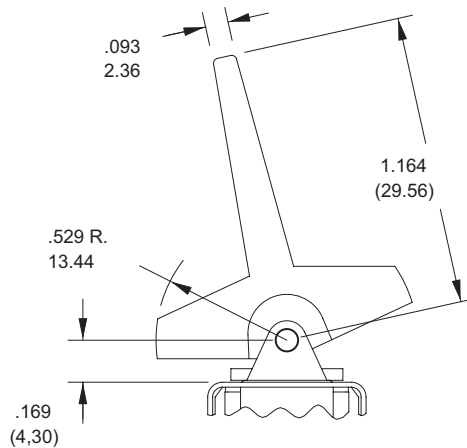
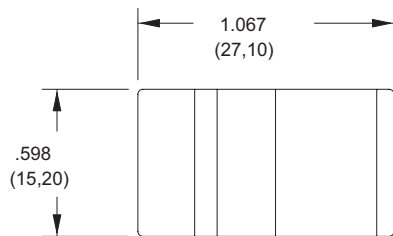
J2



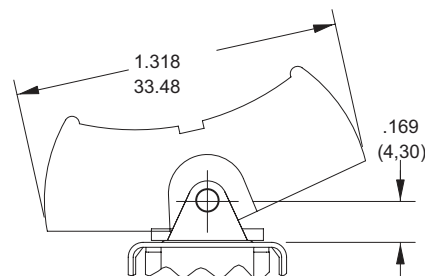
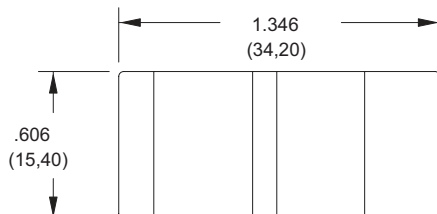
J3



J4



J5



Series 47B: Sealed Miniature Rocker and Paddle Switches



TERMINATION OPTIONS in inches (and millimeters)

M1

THK. .030 (0.76)

M2

THK. .030 (0.76)

M3

THK. .030 (0.76)

WX

THK. .030 (0.76)

OPTION CODE	DIM."A"
W1	.750(19.05)
W2	.964(24.48)
W3	.425(10.80)
W4	1.062(26.97)

M6 Right Angle P.C. Mount, Horizontal Actuation

SPDT

DPDT

3PDT

M7 Right Angle P.C. Mount, Vertical Actuation

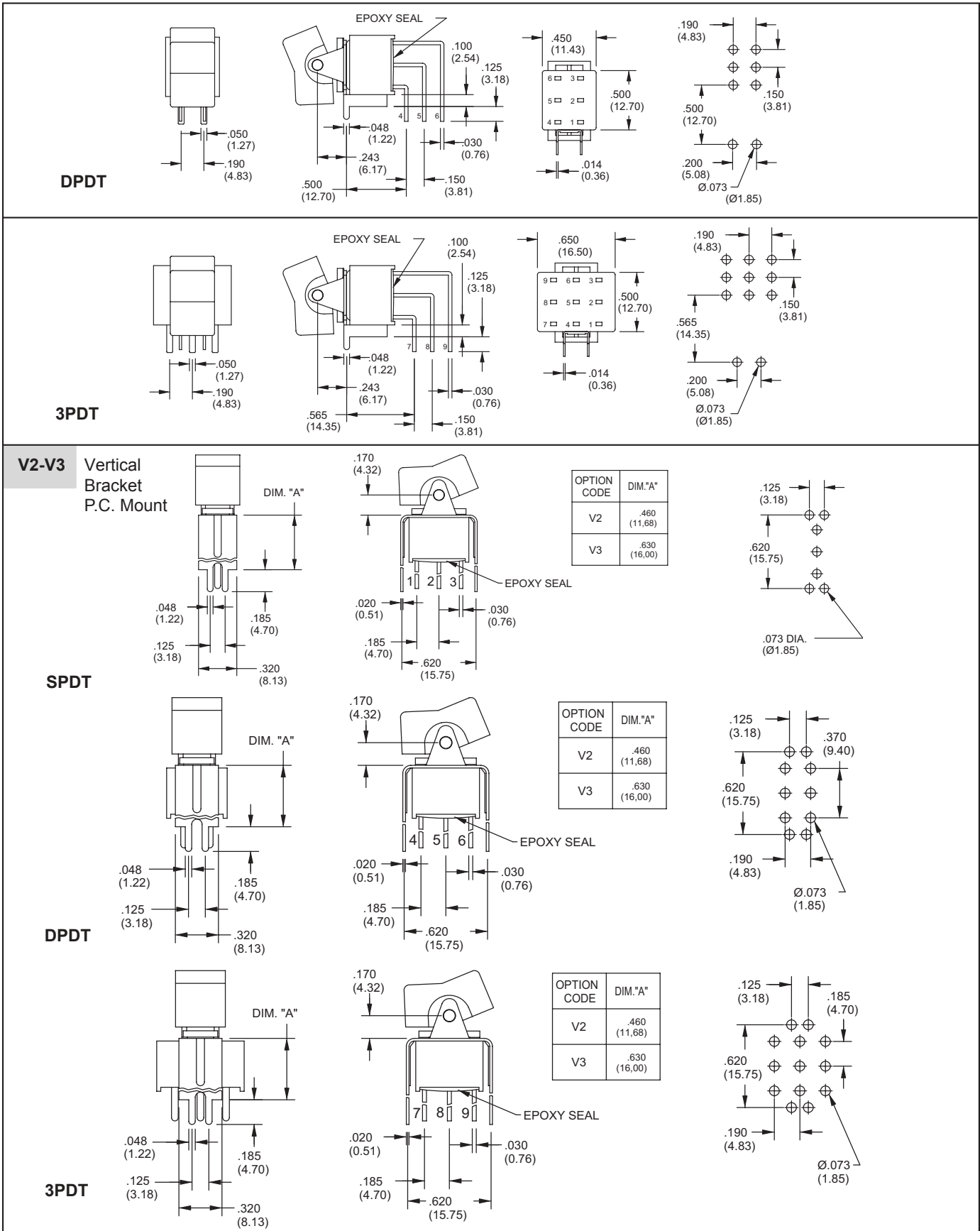
SPDT

Rocker and Paddle Switches



Series 47B: Sealed Miniature Rocker and Paddle Switches

TERMINATION OPTIONS in inches (and millimeters)



Series 47B: Sealed Miniature Rocker and Paddle Switches



SPECIFICATIONS

RATINGS

Contact Rating: Q option - 5A with resistive load @ 125 VAC or 28 VDC; 2A with resistive load @ 250 VAC. R option - 0.4 VA max @ 20 Vmax (AC or DC)

Electrical Life: 50,000 make-and-break cycles at full load

Contact Resistance: Below 10 milliohms

max. initial @ 2-4 VDC, 100 mA

Insulation Resistance: 1,000 megaohms minimum

Dielectric Strength: 1,500 V RMS @ sea level

Operating Temperature: -30°C to 85°C

MATERIALS

Case and Bushing: Glass-filled nylon 6/6, flame retardant, heat stabilized (UL94V-0)

Actuator: Nylon, black standard. Internal O-ring seal standard with all actuators.

Frame: Spring steel, black (standard)

Switch Support: Brass, tin-plated

Actuator Pivot & Mounting Bracket: Nylon (UL 94V-0)

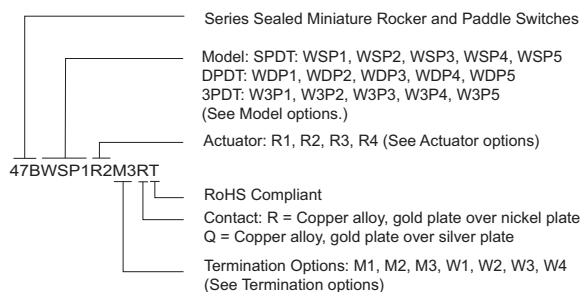
Actuator Pivot Retainer: Stainless Steel

Terminal Seal: Epoxy

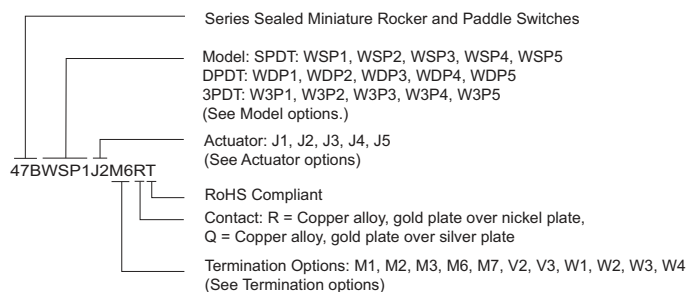
Terminal/Contacts: Copper alloy with gold plate over nickel or silver plate

ORDERING INFORMATION

Panel Mount



PC Board Mount



Available from your local Grayhill Component Distributor.

For prices and discounts, contact a local Sales Office, an authorized local Distributor or Grayhill.