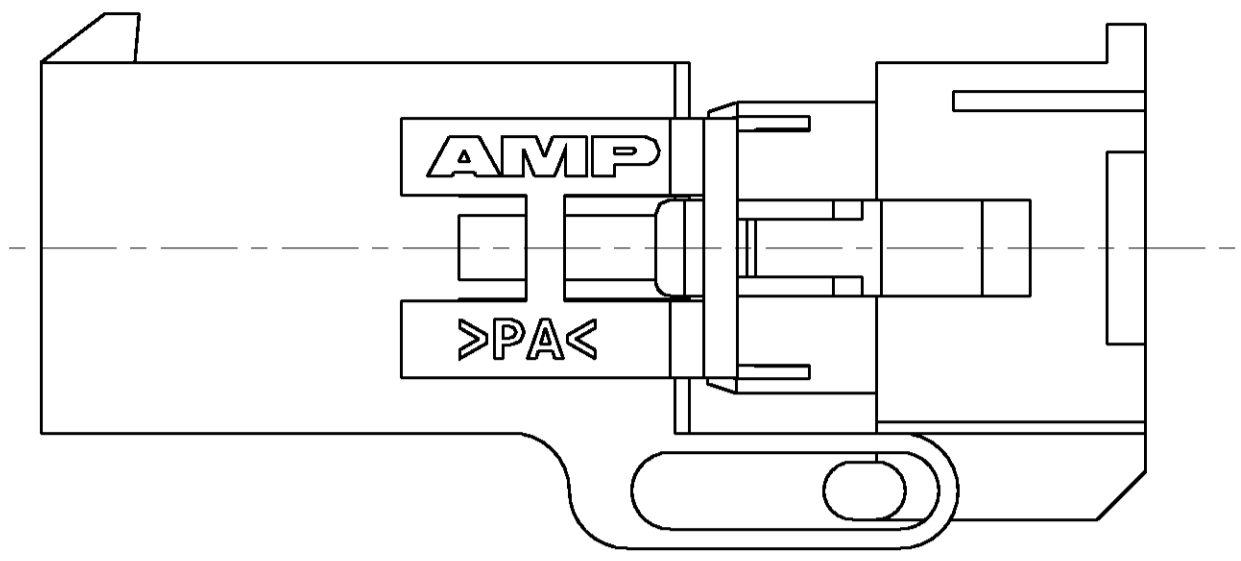
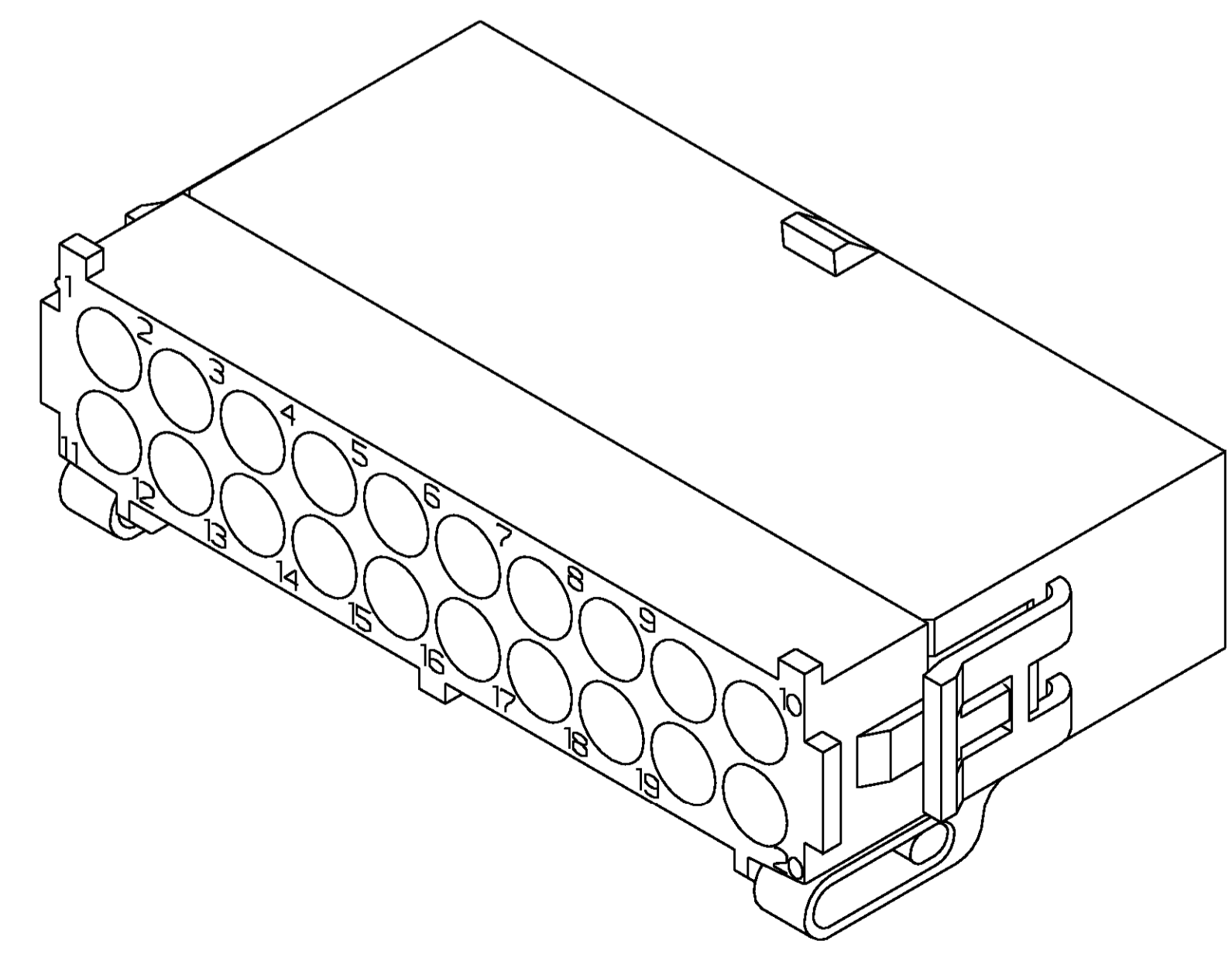
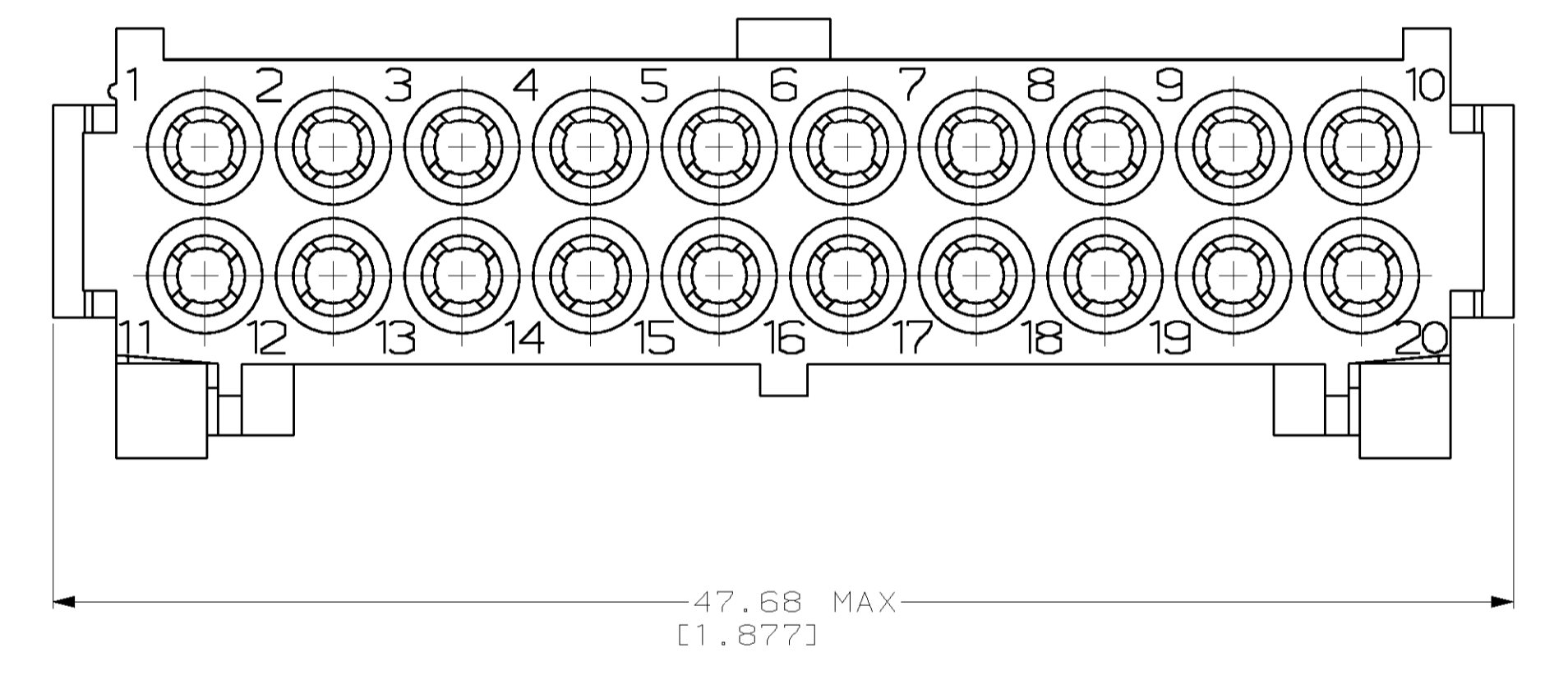
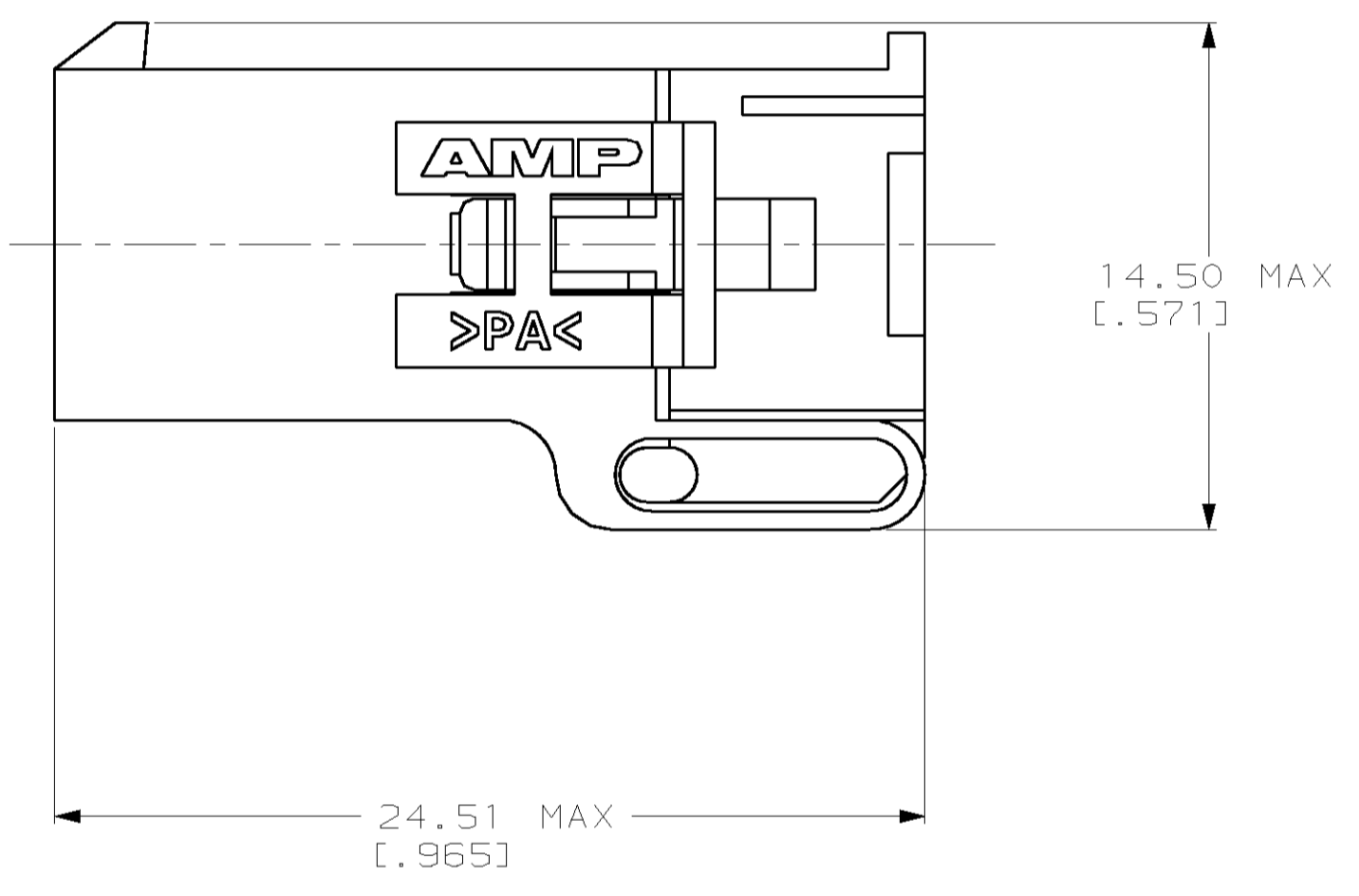
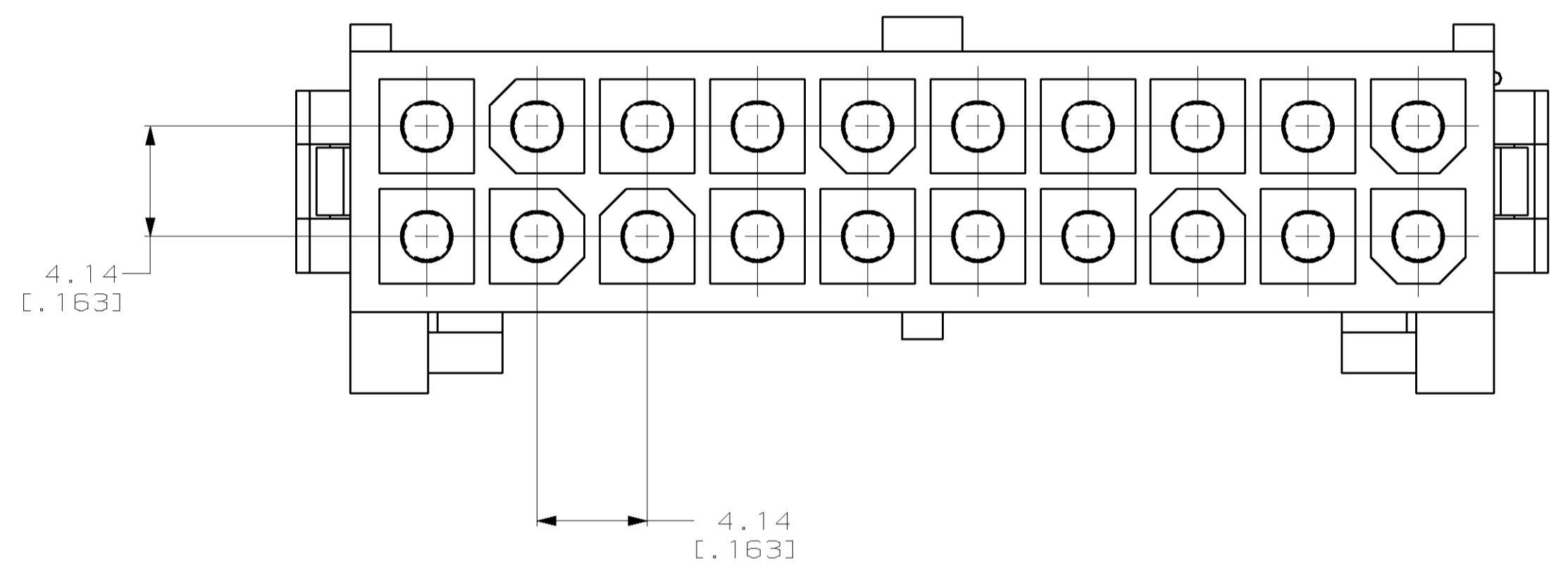


LOC		DIST		REVISIONS			
F	CHR	DATE	BY	APPROV	DESCRIPTION	DATE	BY
A		23-SEP-99	KW	KC	REV PER EC 061B-0094-99		



PRE-STAGED CONDITION

1. DIMENSIONS IN BRACKETS ARE IN INCHES.



3-DIMENSIONAL MODEL  
NTS

794211-1  
PART NUMBER



THIS DRAWING IS A CONTROLLED DOCUMENT.		DWN K. WHITAKER 5-20-97	<b>AMP</b> AMP Incorporated Harrisburg, PA 17105-3608
DIMENSIONS: mm		CHK R. SWING 5-20-97	
TOLERANCES UNLESS OTHERWISE SPECIFIED:		APPROV S. ORSTAD 5-20-97	NAME CAP, 20 CIRCUIT, MINI UNIVERSAL MATE-N-LOK™ 2
0 PLC ±-	1 PLC ±-	PRODUCT SPEC	SIZE CAGE CODE DRAWING NO RESTRICTED TO
2 PLC ±-	3 PLC ±0.13 (.005)	APPLICATION SPEC	A1 00779 C-794211 -
4 PLC ±-	ANGLES ±-	FINISH -	WEIGHT -
MATERIAL NYLON, UL 94V-0, NATURAL		CUSTOMER DRAWING	SCALE 5:1 SHEET 1 OF 1 REV A