

CliQ M DIN Rail Power Supply

24 V 960 W 1 Phase / DRM-24V960W1PN



Highlights & Features

- Universal AC input voltage range
- High power density in corrosion resistant aluminium casing
- Power Boost of 150% up to 7 seconds
- Advanced Power Boost (APB)
- DNV GL and ABS approvals for maritime applications
- Built-in DC OK Contact and LED indicator for DC OK/ Overload
- Features current sharing for parallel connection / Shut-Down Input / Remote Control of Output Voltage / Internal Data Logging for troubleshooting
- Conformal coating on PCBAs to protect against common dust and chemical pollutants
- Certified according to IEC/EN/UL 62368-1

Safety Standards



CB Certified for worldwide use

Model Number: DRM-24V960W1PN
Unit Weight: 2.87 kg (6.33 lb)
Dimensions (L x W x D): 124 x 125 x 133.6 mm (4.88 x 4.92 x 5.26 inch)

General Description

Delta Electronics is introducing one of the slimmest DIN rail industrial power supplies in its class, the CliQ M DIN rail power supply series. To fulfill the demands in maritime applications, the product is designed according to major industrial and maritime (Lloyd's Register) safety standards. Other features include compliance with harmonic current IEC/EN 61000-3-2, class A, built-in DC OK contacts, and an LED for indicating DC OK and Overload conditions. In addition to having Power Boost of 150% up to 7 seconds, the CliQ M series is the first in the CliQ family to feature Advanced Power Boost (APB). With multiple loads connected in a system, a large inrush current could be drawn (demanded) due to one fault load. This will be detected by APB. The APB will trip the circuit breaker (circuit breaker with appropriate rating based on the system load) on the current path of the fault load due to high current. This thus prevents the system from shutting down while the other connected current paths continue to operate without interruption.

Model Information

CliQ M DIN Rail Power Supply

Model Number	Input Voltage Range	Rated Output Voltage	Rated Output Current
DRM-24V960W1PN	85-264 Vac	24 Vdc	40.0 A

Model Numbering

DR	M –	24V	960W	1	P	N
DIN Rail	CliQ M Series	Output Voltage	Output Power	Single Phase	Advanced Power Boost (APB)	N - Metal Case, without Class I, Div 2 and ATEX approvals

1 | All parameters are specified at 25°C ambient and AC input unless otherwise indicated.
www.DeltaPSU.com (October 2021, Rev. 05)



CliQ M DIN Rail Power Supply

24 V 960 W 1 Phase / DRM-24V960W1PN

Specifications

Input Ratings / Characteristics

Nominal Input Voltage		100-240 Vac	Applicable for TN-, TT and IT mains networks		
Input Voltage Range		90-264 Vac	Continuously operating		
		85-90 Vac	With power de-rating. Refer to Fig. 5 on page 10.		
Input Frequency	Nom.	50-60 Hz	Range: 47-63 Hz		
DC Input Voltage Range		N/A	Not applicable for DC input		
		100 Vac	120 Vac	230 Vac	
Input Current	Typ.	10.50 A	8.60 A	4.50 A	At 24 V, 40 A. Refer to Fig. 1 on page 3.
	Max.	12.00 A	10.10 A	6.00 A	At 24 V, 40 A.
Efficiency	Typ.	94.10%	94.71%	95.98%	At 24 V, 40 A. Refer to Fig. 2 on page 3.
	Min.	93.20%	93.60%	94.60%	At 24 V, 40 A.
Average Efficiency	Typ.	93.23%	93.60%	94.49%	At 24 V, 10.0 A (25%), 20.0 A (50%),
	Min.	92.70%	93.00%	93.60%	30.0 A (75%), 40.0 A (100%)
Max Power Dissipation	Typ.	4.20 W	3.03 W	2.60 W	Shut-Down function activated
	Max.	4.50 W	4.50 W	4.50 W	Shut-Down function activated
	Typ.	5.58 W	4.61 W	3.70 W	At 24 V, 0 A. Refer to Fig. 3 on page 3.
	Max.	13.9 W	13.1 W	13.2 W	At 24 V, 0 A.
	Typ.	60.32 W	53.71 W	40.21 W	At 24 V, 40 A. Refer to Fig. 3 on page 3.
	Max.	70.00 W	65.60 W	54.80 W	At 24 V, 40 A.
Max Inrush Current (Cold Start)	Typ.	8 A	10 A	17 A	Entire operating temperature range
	Max.	11 A	13 A	20 A	
Max Inrush Energy (Cold Start)	Max.	5 A ² s			
Power Factor	Typ.	0.99	0.99	0.96	At 24 V, 40 A. Refer to Fig. 4 on page 3.
	Min.	0.97	0.97	0.95	At 24 V, 40 A.
Crest Factor	Max.	1.72	1.78	1.81	At 24 V, 40 A.
Leakage Current (Enclosure to Neutral)		0.50 mA / 1.21 mA 0.71 mA / 1.73 mA 1.18 mA / 2.82 mA			110 Vac, 50 Hz, TN/TT system / IT system 132 Vac, 60 Hz, TN/TT system / IT system 264 Vac, 50 Hz, TN/TT system / IT system

CliQ M DIN Rail Power Supply

24 V 960 W 1 Phase / DRM-24V960W1PN

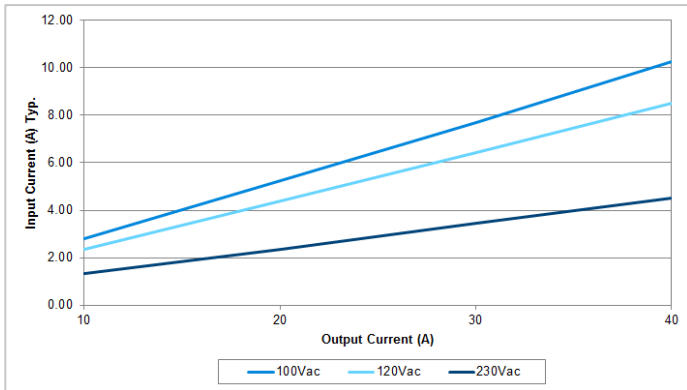


Fig. 1 Input Current VS Output Load at 24 V

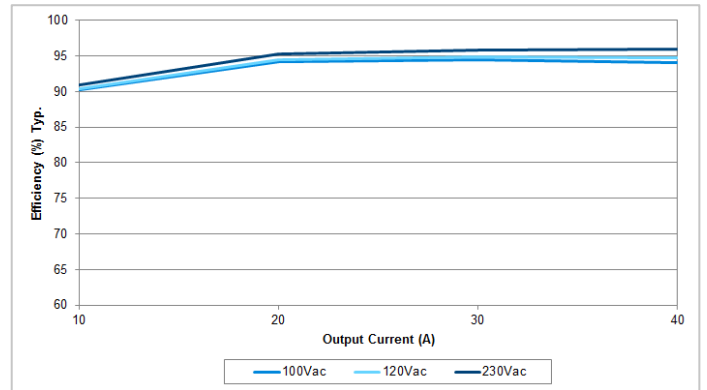


Fig. 2 Efficiency VS Output Load at 24 V

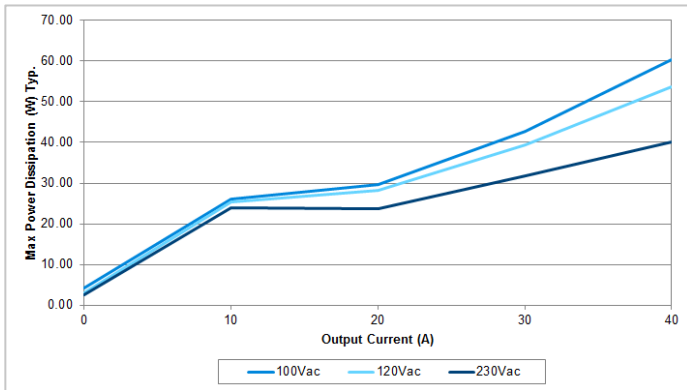


Fig. 3 Max Power Dissipation VS Output Load at 24 V

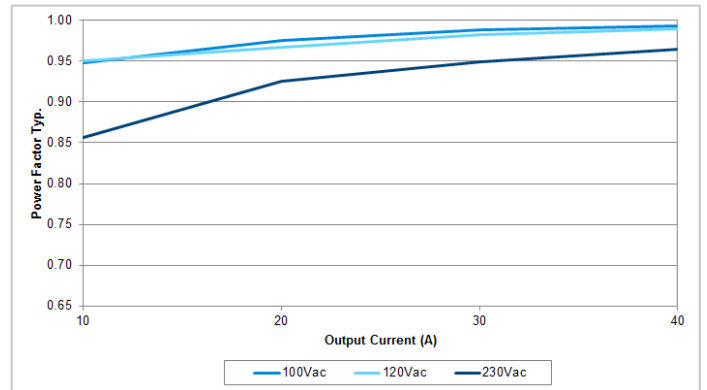


Fig. 4 Power Factor VS Output Load at 24 V

CliQ M DIN Rail Power Supply

24 V 960 W 1 Phase / DRM-24V960W1PN

Output Ratings / Characteristics*

Nominal Output Voltage		24 Vdc	
Factory Set Point Tolerance		24 Vdc \pm 1.0%	
Output Voltage Adjustment Range		24-28 Vdc	
Output Current	Nom. Nom.	40.0 A / 34.3 A 60.0 A / 51.5 A (Slew rate 0.1 A/ μ s)	Continuously operating at 24 V / 28 V Power Boost for 5 seconds at 24 V / 28 V, refer to the details in the Function section
Output Power	Nom. Nom.	960 W / 960.4 W 1,440 W / 1,442 W	Continuously operating at 24 V / 28 V Power Boost for 5 seconds at 24 V / 28 V, refer to the details in the Functions section
Power Boost Duration	Typ. Max.	5 seconds 7 seconds	Duration after which output voltage start to droop. Refer to the details in the Function section at Overload & Overcurrent Protections
Power Boost Recovery Time	Typ.	17 seconds	Required wait duration before next Power Boost is taken, refer to the details in the Function section
Advanced Power Boost (Slew rate 0.1 A/ μ s)	Typ. Typ. Typ. Typ.	80 A @ 50 ms, resistive load 110 A @ 25 ms, resistive load 200 A @ 2 ms, resistive load 200 A @ 5 ms, resistive load	Output voltage will drop (Refer to the details in the Function section)
Line Regulation	Max.	10 mV (@ 85-264 Vac input, 100% load)	
Load Regulation	Max. Typ.	50 mV (@ single mode, 0-100% load) 1000 mV (@ parallel mode, 0-100% load)	
PARD**	Max.	100 mVpp	20 Hz to 20 MHz, 50 Ohm, warm up for 10 mins

*For power de-rating from 60°C to 70°C, see power de-rating on page 10.

**PARD is measured with an AC coupling mode, 5 cm wires, and in parallel with 0.1 μ F ceramic capacitor & 47 μ F electrolytic capacitor.

		100 Vac	120 Vac	230 Vac	
Rise Time	Max.		75 ms		0 μ F, 24 V, 40 A.
	Max.		75 ms		40,000 μ F, 24 V, 40 A.
Start-up Time	Max.		800 ms		At 24 V, 40 A.
Hold-up Time	Typ.		52 ms		At 24 V, 20 A.
	Min.		45 ms		At 24 V, 20 A.
	Typ.		24 ms		At 24 V, 40 A.
	Min.		23 ms		At 24 V, 40 A.
Dynamic Response (Overshoot & Undershoot O/P Voltage)	Max.	\pm 5% @ 0.7-40 A load			Slew rate 0.1 A/ μ s (@ 5 Hz, 50 Hz & 1 kHz, 50% Duty Cycle)
Start-up with Capacitive Loads	Max.	40,000 μ F			
Output Capacitance	Typ.	10,200 μ F			Built-in output capacitors
Functional	DC OK Relay Contact	Rated: 30 V at 1 A, resistive load. Refer to the details in the Function section at DC OK Relay Contacts and LED Indicator Characteristics on page 13.			
	Parallel operation	Yes, refer to Parallel Operation on page 19.			

CliQ M DIN Rail Power Supply

24 V 960 W 1 Phase / DRM-24V960W1PN

Mechanical

Case Cover / Chassis		Aluminium
Dimensions (L x W x D)		124 x 125 x 133.6 mm (4.88 x 4.92 x 5.26 inch)
Unit Weight		2.87 kg (6.33 lb)
Indicator	Green LED	DC OK
	Red LED	Overload
Cooling System		Convection
Terminal	Input	3 Pins (Rated 600 V / 35 A)
	Output	4 Pins (Rated 300 V / 65 A)
	Signal	5 Pins (Rated 300 V / 10 A)
Wire	Input	AWG 14-8
	Output	AWG 10-6
	Signal	AWG 20-16
Mounting Rail		Standard TS35 DIN Rail in accordance with EN 60715
Noise (1 Meter from power supply)		Sound Pressure Level (SPL) < 25 dBA

Environment

Surrounding Air Temperature	Operating	-25°C to +70°C (Cold start -40°C)
	Storage	-40°C to +85°C
Power De-rating	Vertical Mounting	Temperature: > 60°C de-rate power by 2.5% / °C Input Voltage: If < 90 Vac, > 55°C de-rate power by 1.67% / °C
	Horizontal Mounting	Temperature: > 40°C de-rate power by 1.67% / °C Input Voltage: If < 90 Vac, > 35°C de-rate power by 1.43% / °C
Operating Humidity		5 to 95% RH (Non-Condensing)
Operating Altitude		0 to 5,000 Meters (16,400 ft.) 0 to 2,500 Meters (8,200 ft.) for IEC/EN 61558
Shock Test	Non-Operating	IEC 60068-2-27, Half Sine Wave: 30 G for a duration of 18 ms; 3 times per direction, 6 times in total
Vibration	Non-Operating	IEC 60068-2-6, Sine Wave: 10-500 Hz; 3 G peak; displacement of 0.35 mm; 60 min per axis for all X, Y, Z directions
Bump Test	Operating	IEC 60068-2-29, Half Sine Wave: 10 G for a duration of 11 ms, 1,000 times per direction, 6,000 times in total
Over Voltage Category		III According to IEC/EN 62477-1 / EN 60204-1 (clearance and creepage distances) and IEC 62103 (safety part)
Pollution Degree		2

CliQ M DIN Rail Power Supply

24 V 960 W 1 Phase / DRM-24V960W1PN

Protections

Overvoltage	< 32 V, SELV Output, Hiccup Mode, Non-Latching (Auto-Recovery)	Refer to the details in the Function section
Overload / Overcurrent	> 150% of rated load current, Constant current, Hiccup Mode (Auto-Recovery)	Refer to the details in the Function section
Over Temperature	< 80°C Surrounding Air Temperature @ 100% load, Non-Latching (Auto-Recovery)	Refer to the details in the Function section
Short Circuit	Hiccup Mode, Non-Latching (Auto-Recovery when the fault is removed)	Load impedance ≤ 100 mOhm, refer to the details in the Function section
Transient Surge Voltage Protection	MOV (Metal Oxide Varistor)	
Internal Fuse at L pin	T 20 A	
Degree of Protection	IP20	
Protection Against Shock	Class I with PE* connection	

*PE: Primary Earth

Reliability Data

MTBF (as per Telcordia SR-332)	513,800 hrs.	I/P: 100 Vac, O/P: 24 V, 40 A, Ta: 25°C	
	312,900 hrs.	I/P: 100 Vac, O/P: 24V, 40 A, Ta: 40°C	
Expected Cap Life Time**	100 Vac	230 Vac	
	131,400 hrs.		O/P: 24V, 40 A, Ta: 25°C
	131,400 hrs.		O/P: 24 V, 20 A, Ta: 25°C
	60,000 hrs.	92,000 hrs.	O/P: 24 V, 40 A, Ta: 40°C
	131,400 hrs.	115,400 hrs.	O/P: 24 V, 20 A, Ta: 40°C

**Estimated lifetime when 24 hours operating a day and E-cap's manufacturer guarantee at 131,400 hrs. (15 years) as maximum limit of lifetime.

CliQ M DIN Rail Power Supply

24 V 960 W 1 Phase / DRM-24V960W1PN

Safety Standards / Directives

Electrical Equipment of Machines		EN/BS EN 60204-1 (over voltage category III)
Electrical Equipment for Use in Electrical Power Installations		IEC/EN/BS EN 62477-1 / IEC 62103
Safety Entry Low Voltage		SELV (IEC 60950-1)
Electrical Safety	SIQ Bauart	EN 62368-1, EN 61558-1, EN 61558-2-16, EN 61010-1, EN 61010-2-201
	UL/cUL recognized	UL 60950-1 and CSA C22.2 No. 60950-1 (File No. E191395) UL 62368-1 and CSA C22.2 No. 62368-1 (File No. E191395)
	CB scheme	IEC 60950-1, IEC 62368-1, IEC 61558-1, IEC 61558-2-16, IEC 61010-1, IEC 61010-2-201
	UKCA	BS EN 62368-1, BS EN 61558-1, BS EN 61558-2-16, BS EN 61010-1, BS EN 61010-2-201
Industrial Control Equipment	UL/cUL listed	UL 508 and CSA C22.2 No. 107.1-01 (File No. E315355)
	CSA	CSA C22.2 No. 107.1-01 (File No. 181564)
Maritime	DNV GL	Germanischer Lloyd classified
	ABS	American Bureau for Shipping) PDA Environmental category: C, EMC2
CE		In conformance with EMC Directive 2014/30/EU and Low Voltage Directive 2014/35/EU
UKCA		In conformance with Electrical Equipment (Safety) Regulations 2016 No. 1011 and The Electromagnetic Compatibility Regulations 2016 No. 1091
Galvanic Isolation	4.54 kVac	Input / Output
	2.5 kVac	Input / PE
	4.54 kVac	Input / DC OK relay contact*
	1.5 kVac	Output / PE
	0.5 kVac	Output / DC OK relay contact
	1.5 kVac	DC OK relay contact / PE
Isolation Resistance	> 5 MOhm	Input to Output, 500 Vdc
PE Resistance	< 0.1Ohm	

*Recommend to connect DC OK pins together with output pins.

CliQ M DIN Rail Power Supply

24 V 960 W 1 Phase / DRM-24V960W1PN

EMC

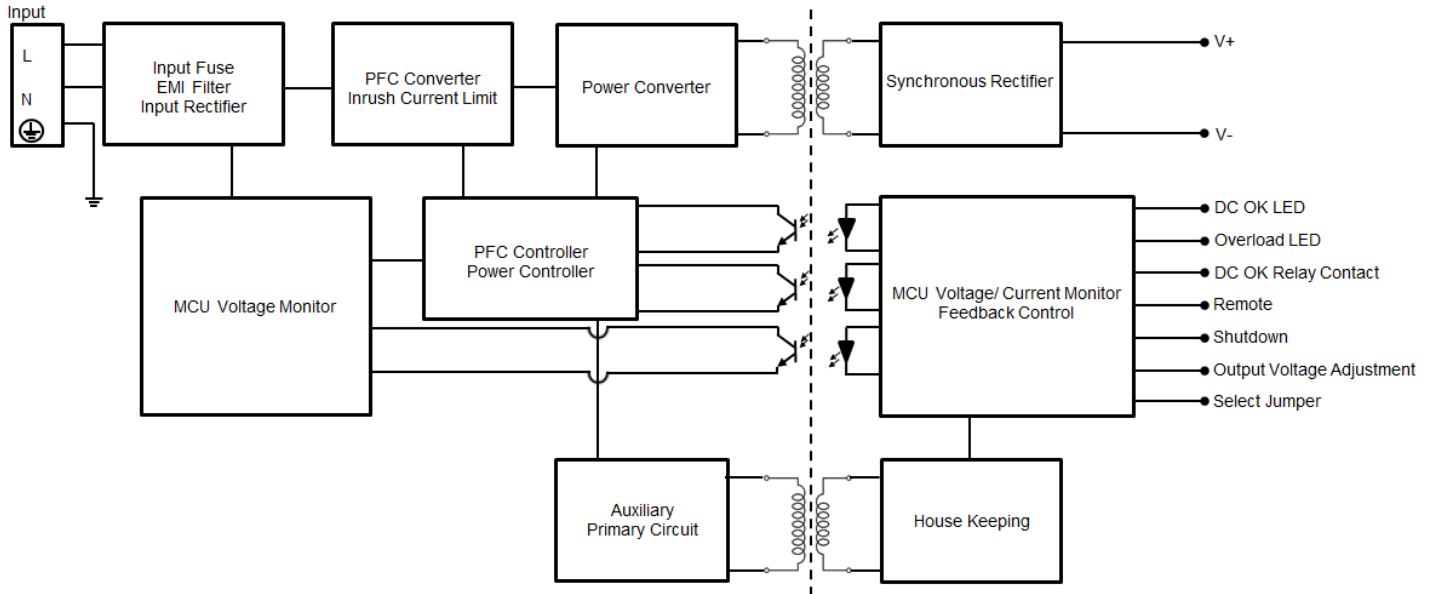
Emissions (CE & RE)		Generic Standards: EN/BS EN 61000-6-3 CISPR 32, EN/BS EN 55032, KN 32, CISPR 11, EN/BS EN 55011, FCC Title 47: Class B		
Component Power Supply for General Use		EN/BS EN 61204-3		
Immunity		Generic Standards: EN/BS EN 55024, KN 35, EN/BS EN 61000-6-2		
Electrostatic Discharge	IEC 61000-4-2	Level 4 Criteria A ¹⁾ Air Discharge: 15 kV Contact Discharge: 8 kV		
Radiated Field	IEC 61000-4-3	Level 3 Criteria A ¹⁾ 80 MHz – 1 GHz, 20 V/M, 80% modulation (1 kHz) 1.4 GHz – 2 GHz, 20 V/M, 80% modulation (1 kHz) 2 GHz – 2.7 GHz, 20 V/M, 80% modulation (1 kHz)		
Electrical Fast Transient / Burst	IEC 61000-4-4	Level 4 Criteria A ¹⁾ 4 kV		
Surge	IEC 61000-4-5	Level 4 Criteria A ¹⁾ Common Mode ³⁾ : 4 kV Differential Mode ⁴⁾ : 2 kV		
Conducted	IEC 61000-4-6	Level 3 Criteria A ¹⁾ 150 kHz – 80 MHz, 20 Vrms		
Power Frequency Magnetic Fields	IEC 61000-4-8	Criteria A ¹⁾ 30 A/Meter		
Voltage Dips and Interruptions	IEC 61000-4-11	0% of 100 Vac 40% of 100 Vac 70% of 100 Vac 0% of 100 Vac 0% of 240 Vac 40% of 240 Vac 70% of 240 Vac 0% of 240 Vac	0 Vac, 20 ms 40 Vac, 200 ms 70 Vac, 500 ms 0 Vac, 5000 ms 0 Vac, 20 ms 96 Vac, 200 ms 168 Vac, 500 ms 0 Vac, 5000 ms	Criteria A ¹⁾ Criteria B ²⁾ Criteria A ¹⁾ Criteria B ²⁾ Criteria A ¹⁾ Criteria A ¹⁾ Criteria A ¹⁾ Criteria B ²⁾
Low Energy Pulse Test (Ring Wave)	IEC 61000-4-12	Level 3 Criteria A ¹⁾ Common Mode ³⁾ : 2 kV Differential Mode ⁴⁾ : 1 kV		
Harmonic Current Emission		IEC/EN/BS EN 61000-3-2, Class A		
Voltage Fluctuation and Flicker		IEC/EN/BS EN 61000-3-3		
Voltage Sag Immunity SEMI F47 – 0706		80% of 120 Vac 70% of 120 Vac 50% of 120 Vac	96 Vac, 1000 ms 84 Vac, 500 ms 60 Vac, 200 ms	Criteria A ¹⁾ Criteria A ¹⁾ Criteria A ¹⁾

1) Criteria A: Normal performance within the specification limits
 2) Criteria B: Temporary degradation or loss of function which is self-recoverable
 3) Asymmetrical: Common mode (Line to earth)
 4) Symmetrical: Differential mode (Line to line)

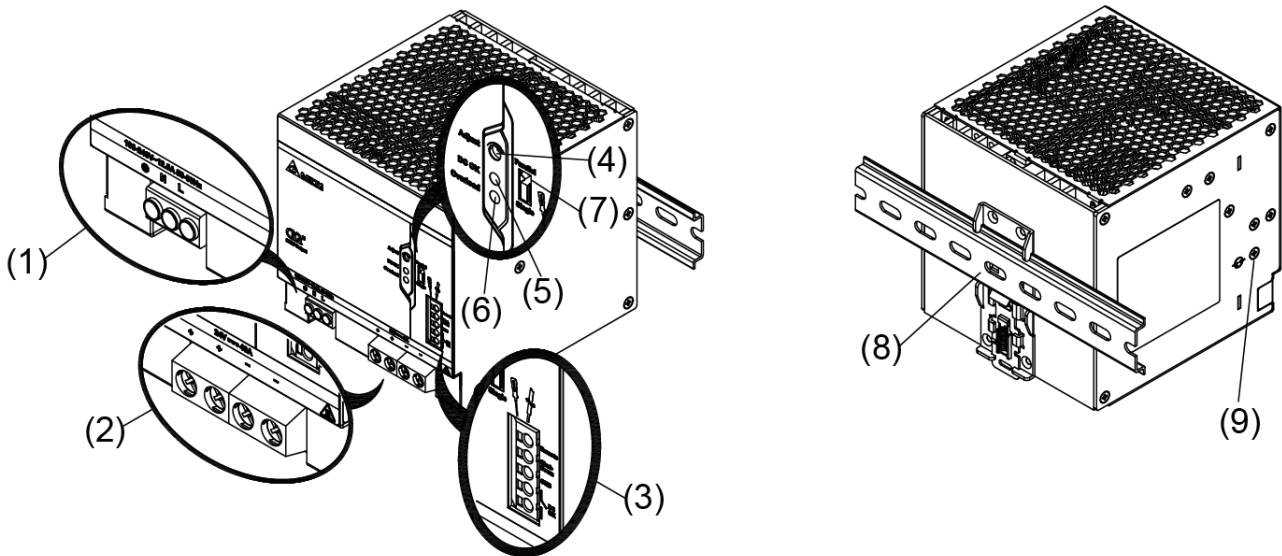
CliQ M DIN Rail Power Supply

24 V 960 W 1 Phase / DRM-24V960W1PN

Block Diagram



Device Description



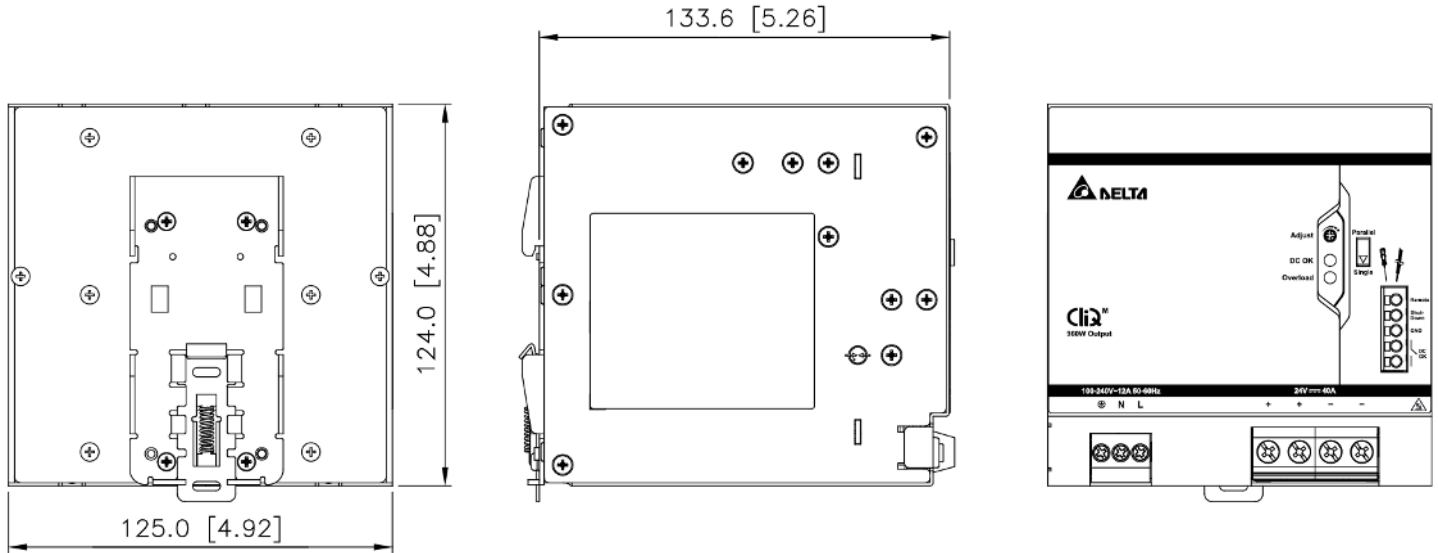
- 1) Input terminal block connector
- 2) Output terminal block connector
- 3) Signal terminal block connector
- 4) DC voltage adjustment potentiometer
- 5) DC OK LED (Green)
- 6) Overload LED (Red)
- 7) Select jumper (Single/Parallel operation mode)
- 8) Universal mounting rail system
- 9) Gas discharge tube (on left side of housing) used for surge protection.
Disconnect gas discharge tube (remove Philips head screw) during dielectric test of > 0.5 KV_{ac} or 0.8 KV_{dc}.

CliQ M DIN Rail Power Supply

24 V 960 W 1 Phase / DRM-24V960W1PN

Dimensions

L x W x D: 124 x 125 x 133.6 mm (4.88 x 4.92 x 5.26 inch)



Engineering Data

Output Load De-rating VS Surrounding Air Temperature

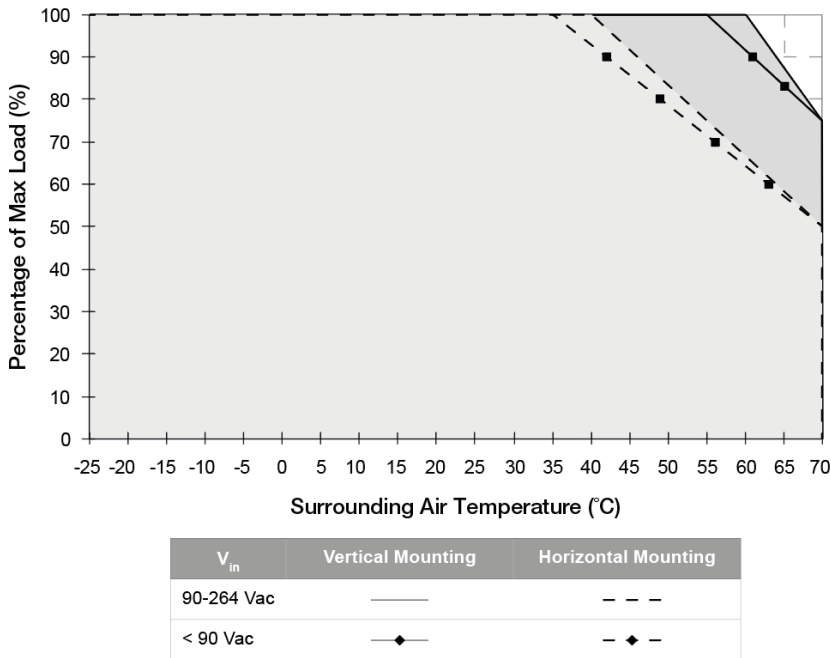


Fig. 5 De-rating for Vertical Mounting Orientation

> 60°C de-rate power by 2.5% / °C
 If V_{in} < 90 Vac, > 55°C de-rate power by 1.67% / °C

De-rating for Horizontal Mounting Orientation

> 40°C de-rate power by 1.67% / °C
 If V_{in} < 90 Vac, > 35°C de-rate power by 1.43% / °C

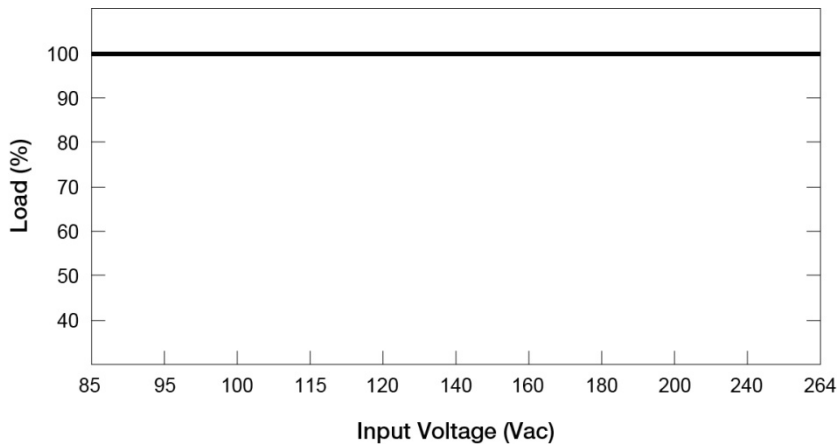
Note

1. Power supply components may degrade, or be damaged, when the power supply is continuously used outside the shaded region, refer to the graph shown in Fig. 5.
2. If the output capacity is not reduced when the surrounding air temperature exceeds its specification as defined on Page 5 under "Environment", the device will run into Over Temperature Protection. When activated, the output voltage will go into bouncing mode and will recover when the surrounding air temperature is lowered or the load is reduced as far as necessary to keep the device in working condition.
3. In order for the device to function in the manner intended, it is also necessary to keep a safety distance as recommended in the safety instructions while the device is in operation.
4. Depending on the surrounding air temperature and output load delivered by the power supply, the device can be very hot!
5. If the device has to be mounted in any other orientation, please contact info@deltapsu.com for more details.

CliQ M DIN Rail Power Supply

24 V 960 W 1 Phase / DRM-24V960W1PN

Output Load De-rating VS Input Voltage



■ No output power de-rating for the input voltage range, refer to Fig. 5 on page 10

Assembly & Installation

The power supply unit (PSU) can be mounted on 35 mm DIN rails in accordance with EN 60715. For Vertical Mounting, the device should be installed with input terminal block at the bottom. For Horizontal Mounting, the device should be installed with input terminal block on the left side.

Each device is delivered ready to install.

1. Tilt the unit upwards and insert it onto the DIN rail. Snap on the DIN rail as shown in Fig. 6.1.
2. Push downwards until stopped.
3. Press against the bottom front side for locking.
4. Shake the unit slightly to ensure that it is secured.
5. To uninstall, pull or slide down the latch with screw driver as shown in Fig. 6.2. Then slide the power supply unit (PSU) in the opposite direction, release the latch and pull out the power supply unit (PSU) from the rail.

Mounting

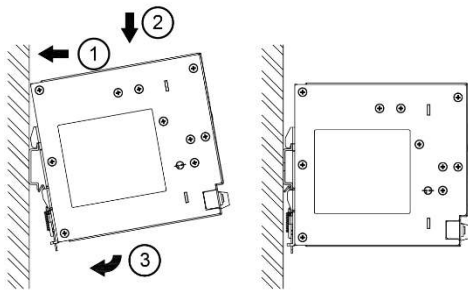


Fig. 6.1 Mounting

Dismounting

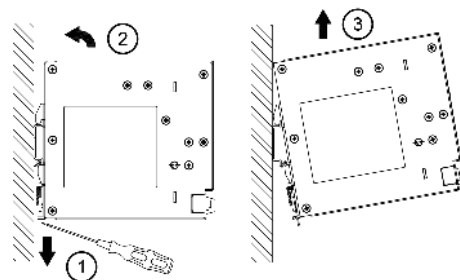


Fig. 6.2 Dismounting

In accordance to EN 60950 / UL 60950 and EN 62368 / UL 62368, flexible cables require ferrules.

Use appropriate copper cables designed to sustain operating temperature of:

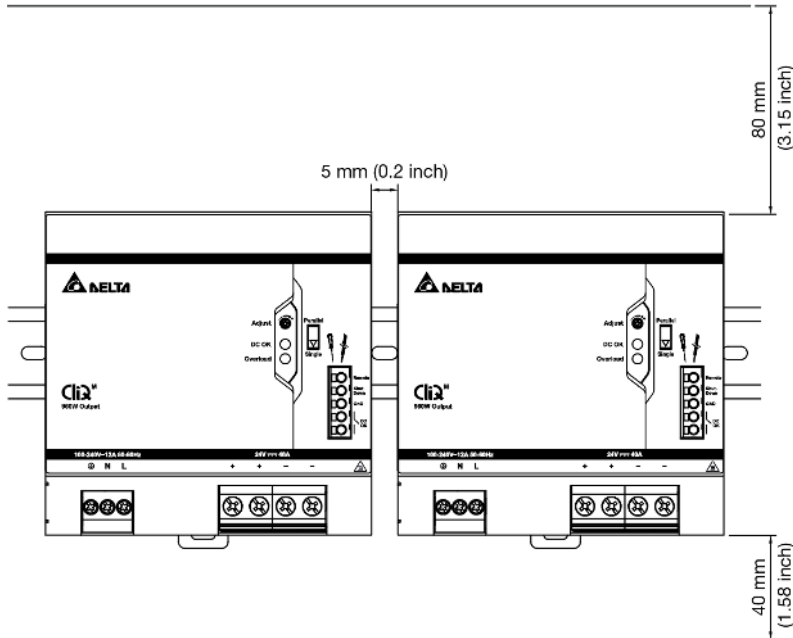
1. 60°C, 60°C / 75°C for USA
2. At least 90°C for Canada
3. At least 105°C for IEC/EN 61010-1, IEC/EN 61010-2-201.

CliQ M DIN Rail Power Supply

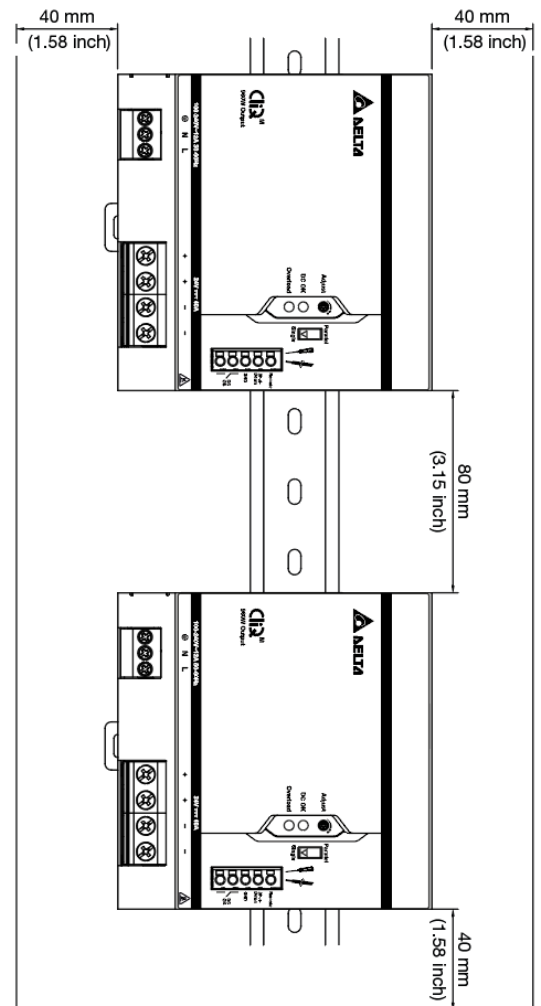
24 V 960 W 1 Phase / DRM-24V960W1PN

Safety Instructions

■ Vertical Mounting



■ Horizontal Mounting



- ALWAYS switch mains of input power OFF before connecting and disconnecting the input voltage to the device. If mains are not turned OFF, there is risk of explosion / severe damage.
- If the unit is used in a manner not specified by the manufacturer, the protection provided by the equipment may be impaired.
- To guarantee sufficient convection cooling, please refer to the following instructions to ensure sufficient clearance around the device.

Vertical Mounting: 80 mm (3.15 inch) above and 40 mm (1.58 inch) below the device as well as a lateral distance of 5 mm (0.2 inch) to other units. In case the adjacent device is a heat source, the lateral distance will be 15 mm (0.6 inch).

Horizontal Mounting: 80 mm (3.15 inch) above and 40 mm (1.58 inch) below the device as well as a lateral distance of 40 mm (1.58 inch) to other units.

- The external enclosure where the unit will be installed shall meet the requirements for mechanical, electrical and fire enclosure.
- Note that the enclosure of the device can become very hot depending on the surrounding air temperature and output load connected to the device. Risk of burns!
- The main power must be turned off before connecting or disconnecting wires to the terminals.
- DO NOT insert any objects into the unit.
- Dangerous voltages present for at least 5 minutes after disconnected all sources of power.
- The power supplies are built in units and must be installed in a cabinet or room (condensation free environment and indoor location) that is relatively free of conductive contaminants.
- The power supply shall be installed within service maintenance area only; and the cord connector or attachment plug shall not be disconnected while the power supply and system are still running.

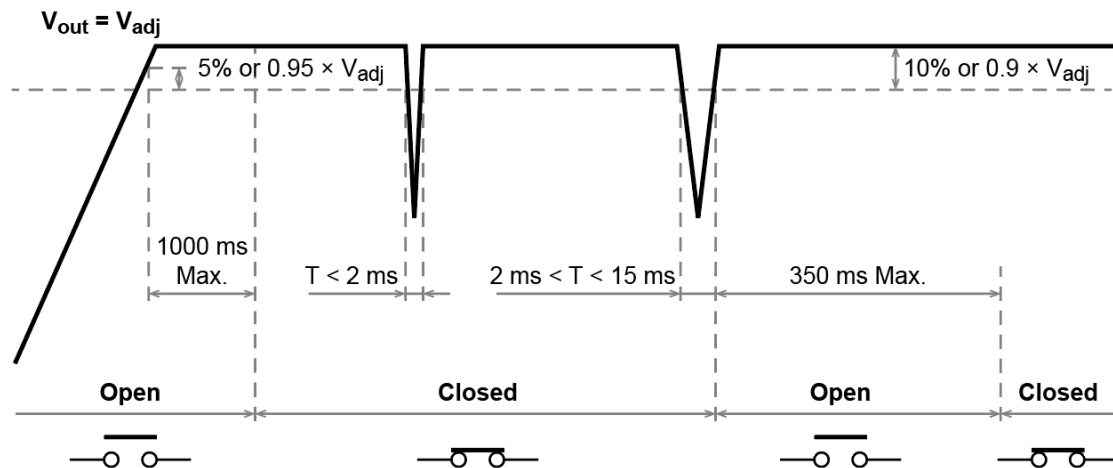
CliQ M DIN Rail Power Supply

24 V 960 W 1 Phase / DRM-24V960W1PN

Functions

DC OK Relay Contacts and LED Indicator Characteristics

DC OK Relay Contacts Status	Characteristics
Contact closes	The output voltage reaches 95% of its steady state set value. The contact will close within 1000ms.
Contact opens	The output voltage dip lower than 90% of its steady state set value: <ul style="list-style-type: none"> • Output voltage dip duration less than 2 ms will be ignored. • Output voltage dip duration more than 2 ms. The contact will open within 15 ms and remain open for an extended duration up to 350 ms max.
Contact re-closes	The output voltage reaches 90% of its steady state set value. The contact will close in 350 ms max.



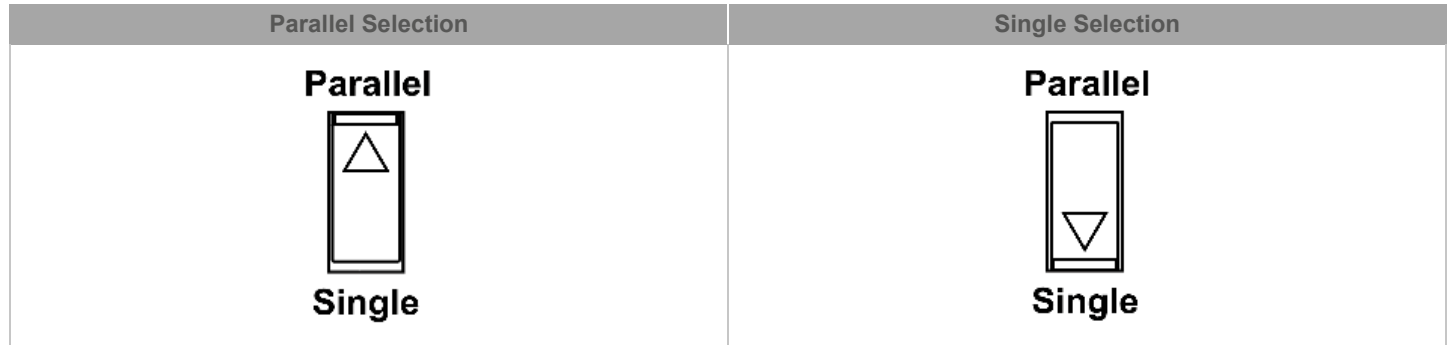
Operating Status	DC OK (Green LED)	Overload (Red LED)	DC OK Relay Contact
Normal Operation	ON	OFF	Closed
During Power Boost	ON	OFF	Closed
Overload ($V_{out} \leq 90\%$ of adjusted voltage)	OFF	OFF	Open
Output Short Circuit	OFF	Flashing	Open
Over Temperature	OFF	Flashing	Open
No Input Power	OFF	OFF	Open
Active shut down input	OFF	Flashing	Open

CliQ M DIN Rail Power Supply

24 V 960 W 1 Phase / DRM-24V960W1PN

Single/Parallel Selection

This select jumper on the front of the power supply unit (refer to Device Description, item 7 in page 9) enables load sharing when power supplies are connected in parallel. When the jumper is in parallel mode, the output voltage will droop down around 4% from no load to maximum load. If the jumper is not plugged in, the power supply unit functions in single mode. Default factory setting jumper is in single mode.



Instructions for Parallel Mode:

Ensure that output voltage is adjusted to $V_o + 1\text{ V}$ ($\pm 0.1\text{ V}$) in "Parallel Mode" at no load conditions on all units.

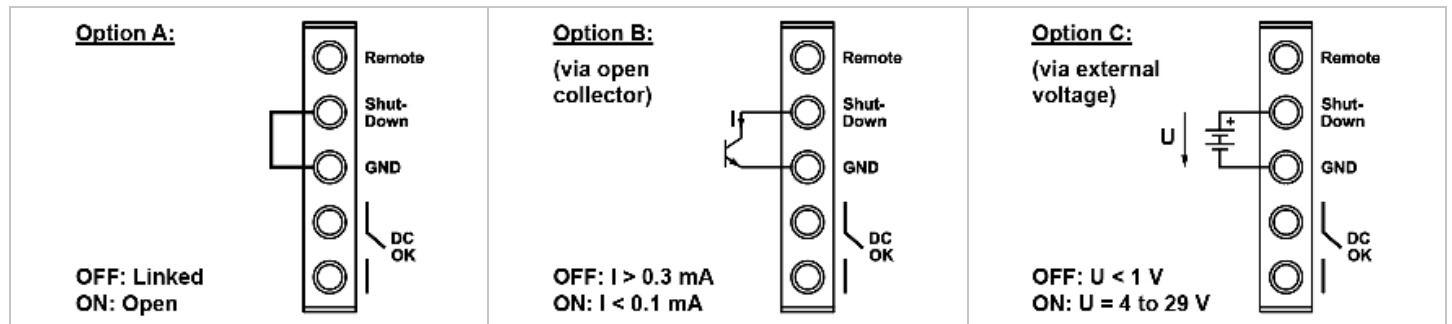
V_o = output voltage at maximum load conditions in parallel mode.

Example:

V_o at maximum load = 24 V. The output voltage adjusted for parallel mode at no load should be $(V_o + 1\text{ V}) 24 + 1 = 25\text{ V}$ ($\pm 0.1\text{ V}$).

Shut-Down Input Characteristics

This feature allows a switch-off of the output of the power supply with a signal switch or an external voltage.



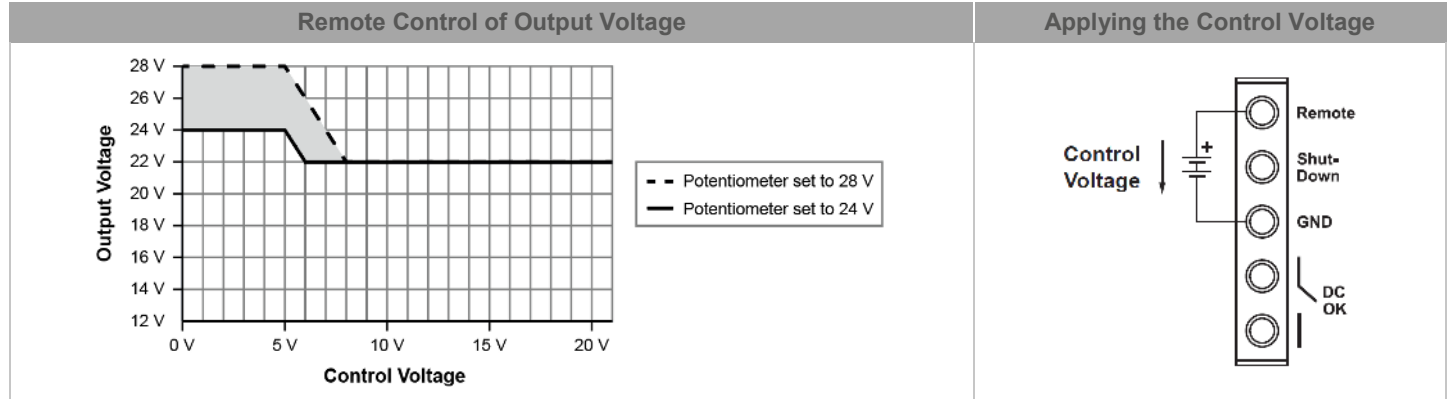
- The shut-down function has no safety feature included.
- The shut-down occurs immediately while the turn-on is delayed up to 350 ms.
- In a shut-down condition, the output voltage is $< 2\text{ V}$ and the output power is $< 0.5\text{ W}$.
- In a series operation of multiple power supplies only wiring option "A" with individual signal switches is allowed.
- Please note that option C requires a current sink capability of the voltage source. Do not use a blocking diode.
- In option C the PSU should be ON at $U = 4\text{ to }29\text{ V} \pm 0.5\text{ V}$

CliQ M DIN Rail Power Supply

24 V 960 W 1 Phase / DRM-24V960W1PN

Remote Control of Output Voltage Characteristics

Remote pin function is to control the output voltage between typically 22 Vdc and 28 Vdc.



Instructions:

- Set the unit into "Single mode".
- Set the output voltage adjustment to the maximum desired voltage.
- Apply a control voltage to reduce the output voltage.

Internal Data Logging

A protected microcontroller inside the power supply acquires and stores operating data during the life of the unit. The data can be downloaded with a small tool and special software by the Delta service and repair personnel even when the unit is defect. The data allows for better troubleshooting. Analysis of what happened before a failure can be determined much more accurately.

Acquired data:

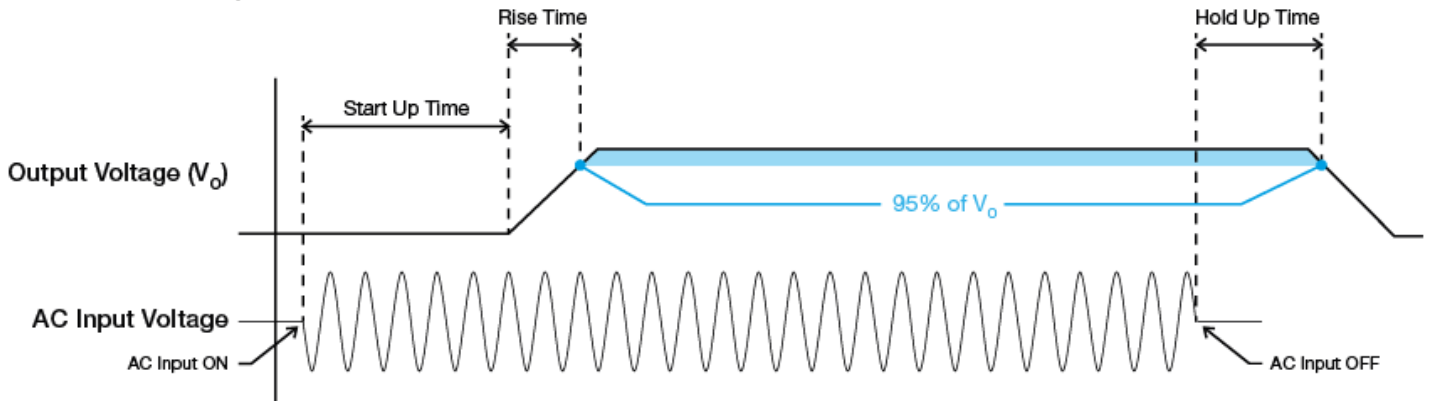
- Family name of unit (M24V960W1PN), revision of firmware
- Operational hours
- Expired portion of lifetime (combination of temperature and period of time)
- Maximum internal ambient temperatures with timestamp (max 19 values)
- Maximal AC input voltages with timestamp (max 19 values)
- Failure report (various internal errors)
- Number and timestamp of input overvoltage transients
- Number and timestamp of over-temperature shut-downs
- Number of turn-on sequences

The data will be acquired with a fixed sampling rate unless the peak detectors do trigger due to an abnormal condition. In such cases, the abnormal condition will be captured. Furthermore, data will be acquired every time shortly before the unit switches off.

CliQ M DIN Rail Power Supply

24 V 960 W 1 Phase / DRM-24V960W1PN

■ Graph illustrating the Start-up Time, Rise Time, and Hold-up Time



Start-up Time

The time required for the output voltage before output voltage rise up, after the input voltage is applied.

Rise Time

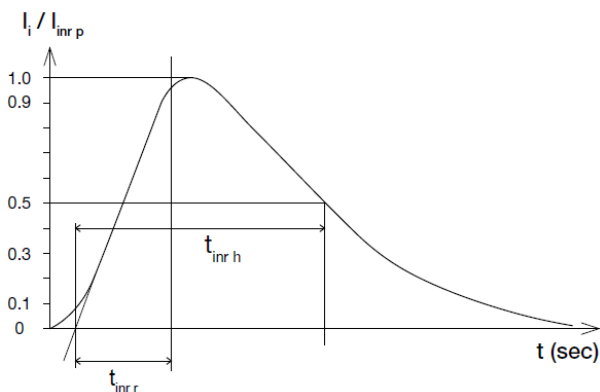
The time required for the output voltage to change from 0% to 95% of its final steady state set value.

Hold-up Time

Time between the collapse of the AC input voltage, and the output falling to 95% of its steady state set value.

Inrush Current

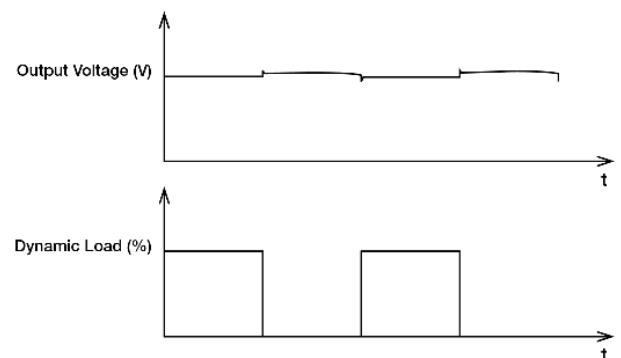
Inrush current is the peak, instantaneous, input current measured and, occurs when the input voltage is first applied. For AC input voltages, the maximum peak value of inrush current will occur during the first half cycle of the applied AC voltage. This peak value decreases exponentially during subsequent cycles of AC voltage.



Dynamic Response

The power supply output voltage will remain within $\pm 5\%$ of its steady state value, when subjected to a dynamic load from 1.75% to 100% of its rated current.

■ 50% duty cycle / 5 Hz to 1 kHz

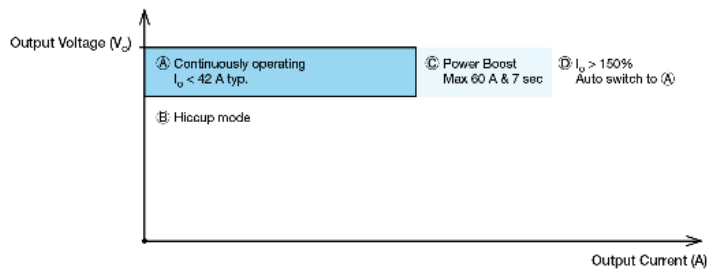


CliQ M DIN Rail Power Supply

24 V 960 W 1 Phase / DRM-24V960W1PN

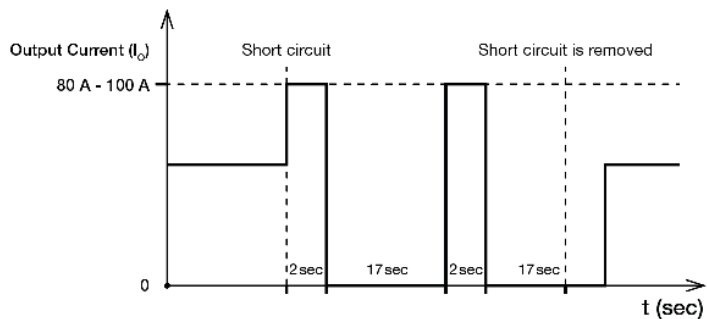
Overload & Overcurrent Protections (Auto-Recovery)

The power supply's Overload (OLP) and Overcurrent (OCP) Protections will be activated when output current is $> 150\%$ of I_o (output current). When this occurs, the output current will limit to 42 A typ. (refer to (A) below) and V_o (output voltage) will start to droop. Once V_o is below approximately 20 Vdc typ., the power supply will start to operate in "Hiccup mode" as described in short circuit protection. The power supply will recover once the fault condition due to OLP or OCP is removed, then I_o is back within its specified limits.



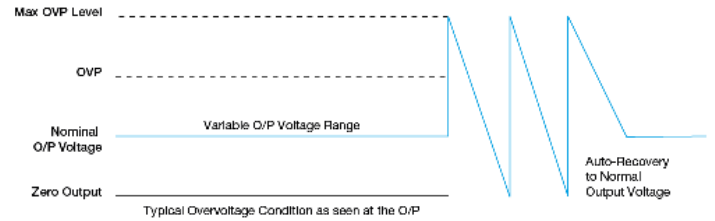
Short Circuit Protection (Auto-Recovery)

The power supply's output Short Circuit Protection function also provides protection against short circuits. When a short circuit is applied, the output current will start to operate in "Hiccup mode". The power supply will return to normal operation after the short circuit is removed.



Overvoltage Protection (Auto-Recovery)

The power supply's overvoltage circuit will be activated when its internal feedback circuit fails. The output voltage shall not exceed its specifications defined on Page 6 under "Protections".



Over Temperature Protection (Auto-Recovery)

As described in load de-rating section, the power supply also has Over Temperature Protection (OTP). In the event of a higher operating temperature at 100% load, the power supply will run into OTP when the operating temperature is beyond what is recommended in the de-rating graph. When activated, the output voltage will go into bouncing mode until the temperature drops to its normal operating temperature as recommended in the de-rating graph.

CliQ M DIN Rail Power Supply

24 V 960 W 1 Phase / DRM-24V960W1PN

Power Boost

Power Boost is the reserve power available constantly that allows reliable startup to support sudden and short spike of loads with high inrush current typically during turn on to remove the need of more expensive higher rated power supply unit. After the output has reached its steady state set value, the power supply can support surge loads with a higher short-term power demand up to 150% of maximum rated load (I_o Max), for a maximum duration of 7 seconds. If the power boost lasts longer than maximum duration, the output current will limit to 42 A typ. and V_o (output voltage) will start to droop, refer to the details in overload & overcurrent protections and the next Power Boost will be available after power boost recovery time defined on Page 4. In order to avoid this, need to maintain the duty cycle & recovery time to ensure that average (R.M.S) output power shall not exceed the continuous maximum, see duty cycle calculation below.

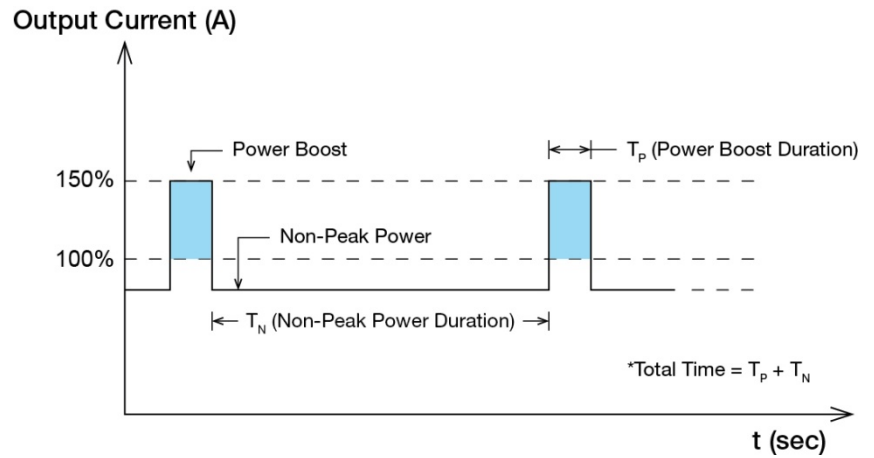


Fig. 7 Duty Cycle Calculation

$$\text{Duty cycle (\%)} = \frac{T_p}{\text{Total Time}}$$

$$\text{Average Output Power (P}_{Avg}\text{)} = \frac{(\text{Power Boost} \times T_p) + (\text{Non-Peak Power} \times T_n)}{\text{Total Time}}$$

OR

$$\text{Non-Peak Power} = \frac{(\text{P}_{Avg} \times \text{Total Time}) - (\text{Power Boost} \times T_p)}{T_n}$$

■ An example of Power Boost and Average Output Power

Power Boost	Peak Power (W _P)	Power Boost Duration (T _P)	Duty Cycle	Non-Peak Power (W _N)	Non-Peak Power Duration (T _N)	Total Time (T)
150%	1440	1 sec	10%	907 W	9 sec	10 sec
150%	1440	5 sec	30%	751 W	11.5 sec	16.5 sec
125%	1200	1 sec	10%	933 W	9 sec	10 sec
125%	1200	5 sec	30%	856 W	11.5 sec	16.5 sec

CliQ M DIN Rail Power Supply

24 V 960 W 1 Phase / DRM-24V960W1PN

Advanced Power Boost (APB)

With multiple loads connected in a system and due to one of fault load a large inrush current is drawn (demanded), this will be detected by APB. This APB can trip the external output protection device with appropriate rating based on system load. Thus preventing the system from shutting down while other connected current paths continue to operate without interruption.

The following waveforms demonstrate the behavior.

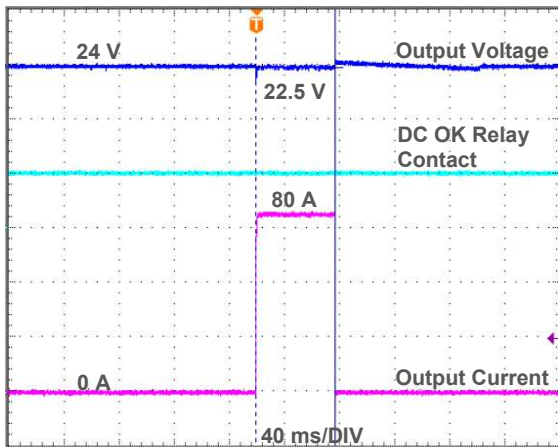


Fig. 8.1 APB 200% of nominal output current for 50 ms

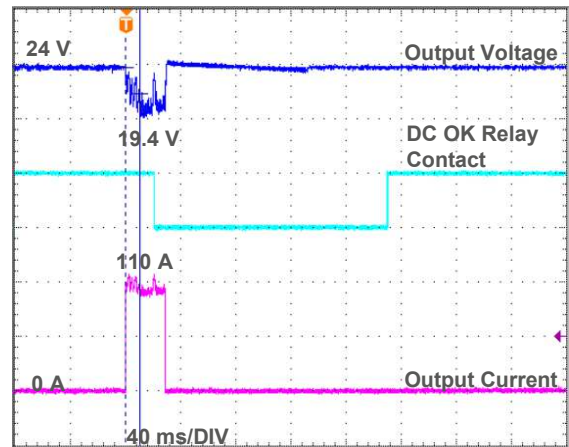


Fig. 8.2 APB 275% of nominal output current for 25 ms

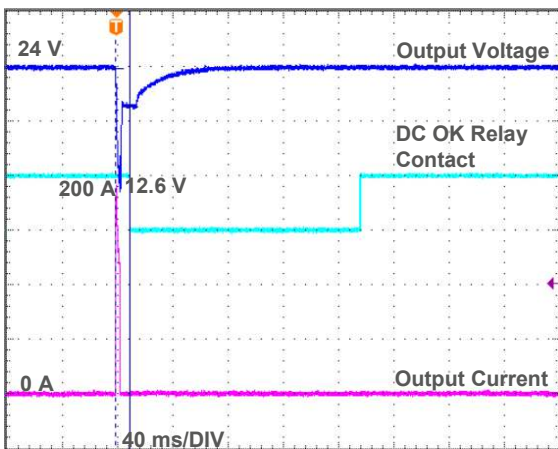


Fig. 8.3 APB 500% of nominal output current for 2 ms

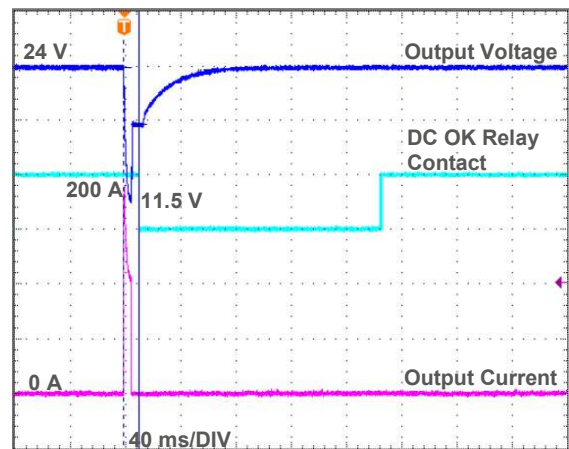


Fig. 8.4 APB 500% of nominal output current for 5 ms

External Input Protection Device

The unit is protected at the L pin, with an internal fuse that cannot be replaced. The power supply has been tested and approved on 30 A (UL) and 32 A (IEC) branch circuits without additional protection device. An external protection device is only required if the supplying branch has an ampacity greater than above. Thus, if an external protective device is necessary, or, utilized, please refer a minimum value of 16 A B- or C- (100-120 Vac) and 10 A B- or C- (230 Vac) characteristic breaker.

CliQ M DIN Rail Power Supply

24 V 960 W 1 Phase / DRM-24V960W1PN

Operating Mode

■ Redundant Operation

In order to ensure proper redundant operation for the power supply units (PSUs), follow simple steps given below to set them up for the redundant operation:

Step 1.

In order to set the output voltage, ensure that each power supply is selected in "Parallel Mode" at no load conditions at any line voltage from 85-264 Vac, and set the PSU 1 and PSU 2 output voltage to $V_o^* + 1V (\pm 0.1V)$.

Step 2.

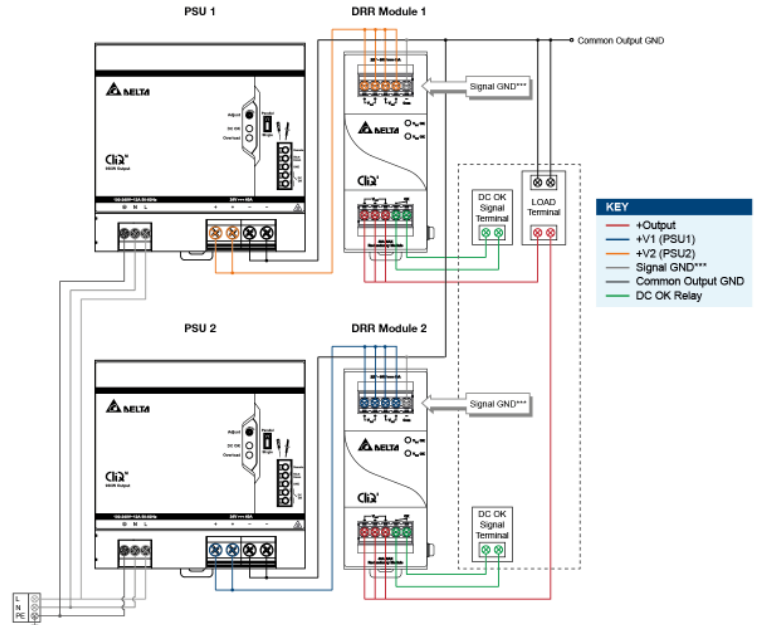
Connect the right DRR module, 40 A as per the system requirement to the power supply units. PSU 1 should be connected to DRR Module 1 at $V_{in 1}$ and $V_{in 2}$, and PSU 2 should be connected to DRR Module 2 at $V_{in 1}$ & $V_{in 2}$ as shown on the Fig 8.

Step 3.

Connect the system load from V_{out} . Please note that output voltage V_{out} from DRR module will be = V_o (output voltage of power supply) – V_{drop}^{**} (in DRR module).

* V_o = output voltage at maximum load conditions in parallel mode

** V_{drop} will vary from 0.60 V to 0.90 V (Typical 0.65 V) depending on the load current and surrounding air temperature.



***The Signal GND in the DRR module is for the built-in LED and DC OK signals. The Output GND terminals from the two PSU's do not need to be connected to the Signal GND terminal.

Fig. 9 Redundant Operation Connection Diagram

■ Parallel Operation

The power supply units (PSUs) can also be used for parallel operation in order to increase the output power. The output voltage of each power supply shall be adjusted to the same value. In order to set the output voltage, ensure that each power supply is selected in "Parallel Mode" at no load conditions at any line voltage from 85-264 Vac, and set the PSU 1 and PSU 2 output voltage to $V_o^* + 1V (\pm 0.1V)$.

If more than three units are connected in parallel, a fuse or circuit breaker with a rating of 50 A or 63 A is required on each output. Alternatively, a diode or DRR Module can also be utilized.

Parameters such as EMI, inrush current, leakage current, PARD, start up time will be different from those on the datasheet, when two units are connected in parallel. The user will need to verify that any differences will still allow the two power supplies connected in parallel will work properly in their product/application.

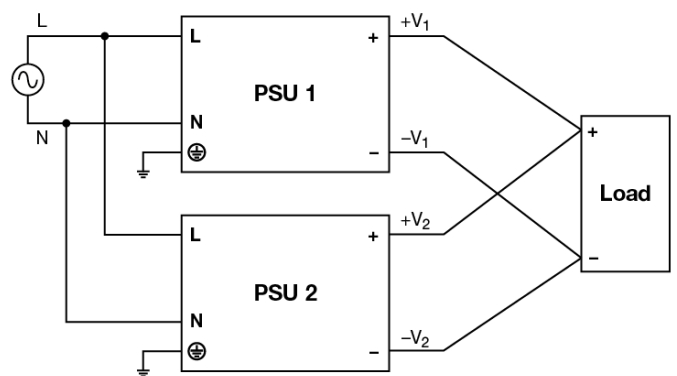


Fig. 10 Parallel Operation Connection Diagram

CliQ M DIN Rail Power Supply

24 V 960 W 1 Phase / DRM-24V960W1PN

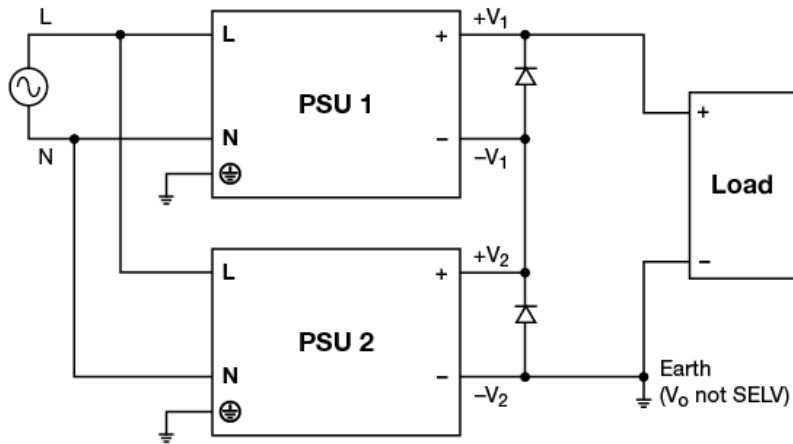
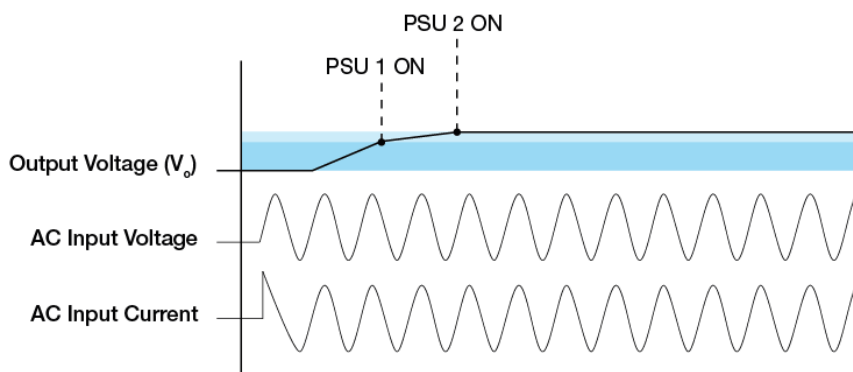


Fig. 11 Series Operation Connection Diagram

Series Operation

Delta's CliQ M can be connected in series to increase the output voltage as shown in figure above. Only power supply from the same product series, and with the same rated output current, can be used. The maximum load current should not exceed the smallest rated output current. Any number of power supplies can be connected in series. User must note that an output voltage > 60 Vdc will not meet SELV requirements and could be dangerous to user, the total voltage shall not exceed 150 Vdc. Installation a protection against the touching is a must and connect the output ground to earth when output voltage is not SELV. A diode in reverse bias must be added across output terminals of each power supply, this is to prevent -V voltage being applied to other power supply in fault conditions such as short circuit across load. During the short circuit -V₁ & +V₁ will come across +V₂ & -V₂ which means connecting 2 power supplies in opposite polarity and may cause damage to power supply. With reverse bias diodes in place the voltage across each power supply will be restricted to one diode drop – approximately 0.7 V to 1.0 V. It is recommended to provide sufficient voltage de-rating for diodes with 2 times the voltage rating of series output voltage. E.g. the two 24 V power supplies are connected in series, the total voltage is 48 volts. Hence, recommended to use diodes with reverse voltage rating of 2x48=96 volts. Therefore diodes with reverse voltage rating of 100 volts can be used.

During the short circuit condition, the current through diodes will be large, hence it is recommended that diodes to be least twice the current rating of the power supply.



The turn ON would be non-monotonic as the power supply with the fastest startup time and rise time will turn on first. As a result, the combined output voltage waveform of the 2 power supplies connected in series will include a step.

User must consider to verify parameters such as EMI, inrush current, leakage current, PARD, start up time would differ from datasheet numbers as multiple power supplies in series.

CliQ M DIN Rail Power Supply

24 V 960 W 1 Phase / DRM-24V960W1PN

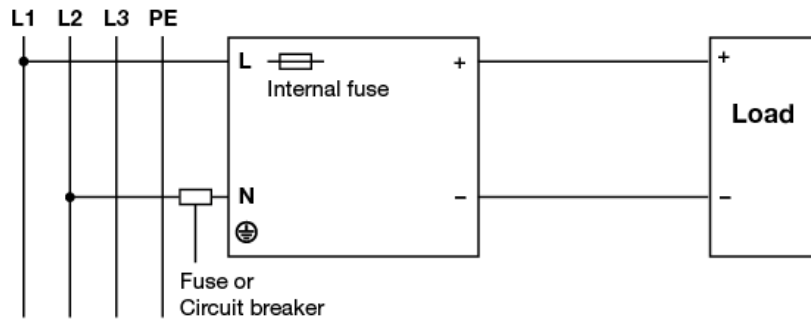


Fig. 12 2 of 3 Phase System Input Operation Connection Diagram

■ 2 of 3 Phase System Input Operation

Delta's CliQ M can use on 2 of 3 phase system. Please refer to the following step.

Step 1.

The input voltage applied from Line to Neutral is below the maximum rated input. The input voltage shall be below 240 Vac +10%.

Step 2.

The external protector is needed on N (Neutral) input line to secure a safety. N line does not have internal fuse protection. An appropriate fuse or circuit breaker should be connected in series with N input line connection like the following.

CliQ M DIN Rail Power Supply

24 V 960 W 1 Phase / DRM-24V960W1PN

Others

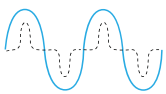
Conformal Coating



The Protective Coating Technology

Delta Electronics Group has designed the perfect dipping technique which penetrates everywhere including under device, and prevents leakage. The conformal coating dipping can be applied to PCBAs or circuit board. The coating preserves the performance of precision electronic primarily by preventing ionizable contaminants such as salt from reaching circuit nodes, where the material slumps around sharp edges. This can be a problem especially in highly conversing atmosphere.

PFC – Norm EN 61000-3-2



Line Current Harmonic content

Typically, the input current waveform is not sinusoidal due to the periodic peak charging of the input capacitor. In industrial environments, compliance with EN 61000-3-2 is only necessary under special conditions. Complying to this standard can have some technical drawbacks, such as lower efficiency; and, can also result in higher product cost. Frequently, the user does not profit from compliance to this standard; therefore, it is important to know whether it is mandatory to meet this standard for a specific application.

Attention

Delta provides all information in the datasheets on an “AS IS” basis and does not offer any kind of warranty through the information for using the product. In the event of any discrepancy between the information in the catalog and datasheets, the datasheets shall prevail (please refer to www.DeltaPSU.com for the latest datasheets information). Delta shall have no liability of indemnification for any claim or action arising from any error for the provided information in the datasheets. Customer shall take its responsibility for evaluation of using the product before placing an order with Delta.

Delta reserves the right to make changes to the information described in the datasheets without notice.

Manufacturer and Authorized Representatives Information

Manufacturer

Thailand

Delta Electronics (Thailand) PCL.
909 Pattana 1 Rd., Muang, Samutprakarn, 10280 Thailand

Taiwan

Delta Electronics, Inc.
3 Tungyuan Road, Chungli Industrial Zone, Taoyuan County
32063, Taiwan

Authorized Representatives

The Netherlands

Delta Greentech (Netherlands) B.V.
Zandsteen 15, 2132 MZ Hoofddorp, The Netherlands

United Kingdom

Delta Electronics Europe Limited
1 Redwood Court, Peel Park Campus,
East Kilbride, Glasgow, G74 5PF, United Kingdom