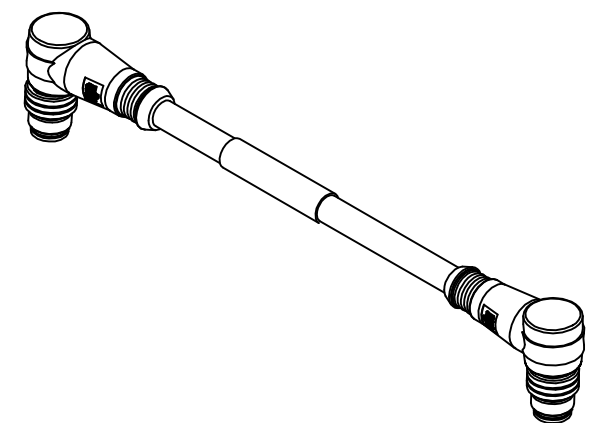
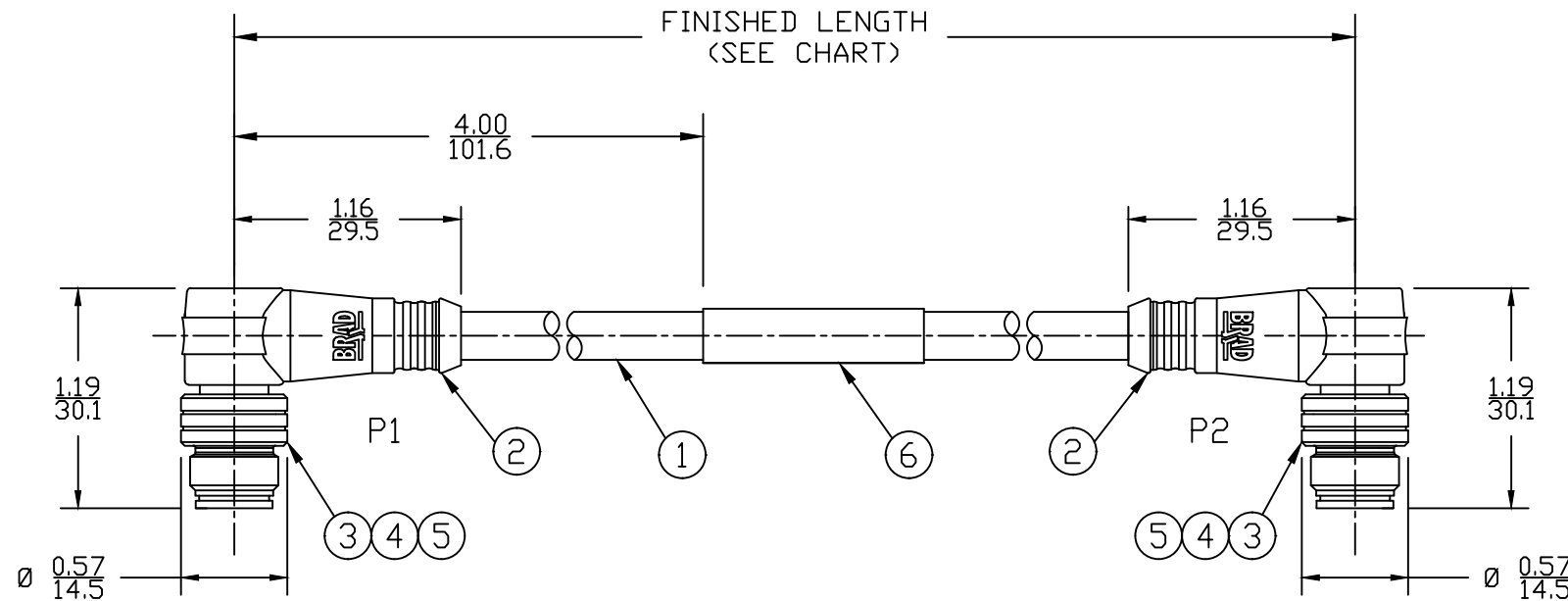


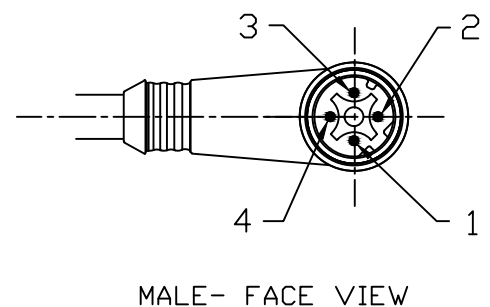
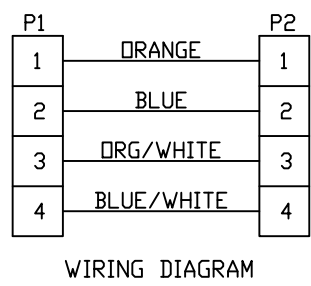
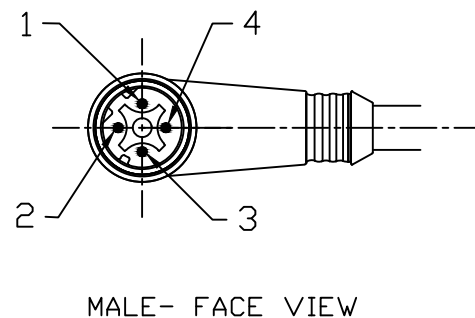
PART NUMBER	ENGINEERING NO.	LENGTH ± TOLERANCE
1300480161	E11A06303M010	3' 3" +2.19"/-0" [ 1M +55.6/-0 mm ]
1300480164	E11A06303M050	16' 4" +6.5"/-0" [ 5M +165.0/-0 mm ]



ⓑ PART NUMBER MATRIX  
E11A06303M010

FINISHED LENGTH:  
M005= 0.5 METER  
M010= 1 METER  
M100= 10 METER

- NOTES:
- 1) MATERIAL: SEE TABLE
  - 2) FINISHES: SEE TABLE
  - 3) CABLE: #24/4 UNSHIELDED PVC
  - 4) ELECTRICAL DATA:  
ACCORDING TO CAT5e ETHERNET STANDARD  
MAX. VOLTAGE: 30V  
MAX. CURRENT 1.5A
  - 5) ENVIRONMENTAL:  
PROTECTION IP67  
TEMPERATURE RANGE: -20°C TO 75°C
  - 6) WRAP LABEL IS MARKED WITH P/N, DATE CODE,  
VOLTAGE & AMPERAGE
  - 7) ASSEMBLY IS RoHS COMPLIANT
  - 8) DIMS SHOWN ARE FOR REFERENCE  
UNLESS NOTED OTHERWISE



ⓑ

CABLE LENGTH TOLERANCES	
>.3M [1FT]:	+19mm-0 [ +.75in-0]
.3 - .9M [1 - 3FT]:	+44.5mm-0 [+1.75in-0]
.9 - 1.8M [3 - 6FT]:	+55.6mm-0 [+2.19in-0]
1.8 - 3.7M [6 - 12FT]:	+88.9mm-0 [+3.50in-0]
3.7 - 7.3M [12 - 24FT]:	+165.1mm-0 [+6.50in-0]
7.3-14.6M [24 - 48FT]:	+317.5mm-0 [+12.50in-0]
14.6 - 30.5M [48-100FT]:	+622.3mm-0 [+24.50in-0]
OVER 30M [100FT]:	+2% OF FINISHED LENGTH

ITEM	QTY.	DESCRIPTION	MATERIAL	FINISH
6	1	LABEL	VINYL	BLACK/YELLOW
5	2	INSERT	PUR	BLACK
4	8	PIN CONTACT	COPPER ALLOY	GOLD PLATED
3	2	M12 COUPLING NUT	BRASS	NICKEL
2	2	OVERMOLD	PUR	BLACK
1	1	ETHERNET CABLE-CAT5E	PVC JACKET	TEAL

ADD P/N MATRIX, LENGTH TOLS, NOTE 8 EC NO: IPG2018-0527 DRWN: RSTONE CHKD: T WOLDEG APPR: BWOODMAN 5/22/18	DESCRIPTION REV	QUALITY SYMBOLS $\nabla=0$ $\nabla C=0$	GENERAL TOLERANCES (UNLESS SPECIFIED)		DIMENSION STYLE IN/MM		SCALE ---	DESIGN UNITS INCH	THIRD ANGLE PROJECTION		
				mm	INCH	DRAWN BY VOU	DATE 2009/07/06	TITLE MICRO-CHANGE CABLE ASSY 4P M/MP 90/90 D-CODE #24/4 UNSHIELDED PVC			
				4 PLACES	±---	±---	CHECKED BY BWOODMAN	DATE 2009/07/31	MATERIAL NO. SEE P/N CHART		
				3 PLACES	±---	±---	APPROVED BY	DATE	DOCUMENT NO. SD-120108-024		SHEET NO. 1 OF 1
		2 PLACES	±---	±---	MATERIAL NO. SEE P/N CHART		THIS DRAWING CONTAINS INFORMATION THAT IS PROPRIETARY TO MOLEX INCORPORATED AND SHOULD NOT BE USED WITHOUT WRITTEN PERMISSION				
		1 PLACE	±---	±---	DRAFT WHERE APPLICABLE MUST REMAIN WITHIN DIMENSIONS						