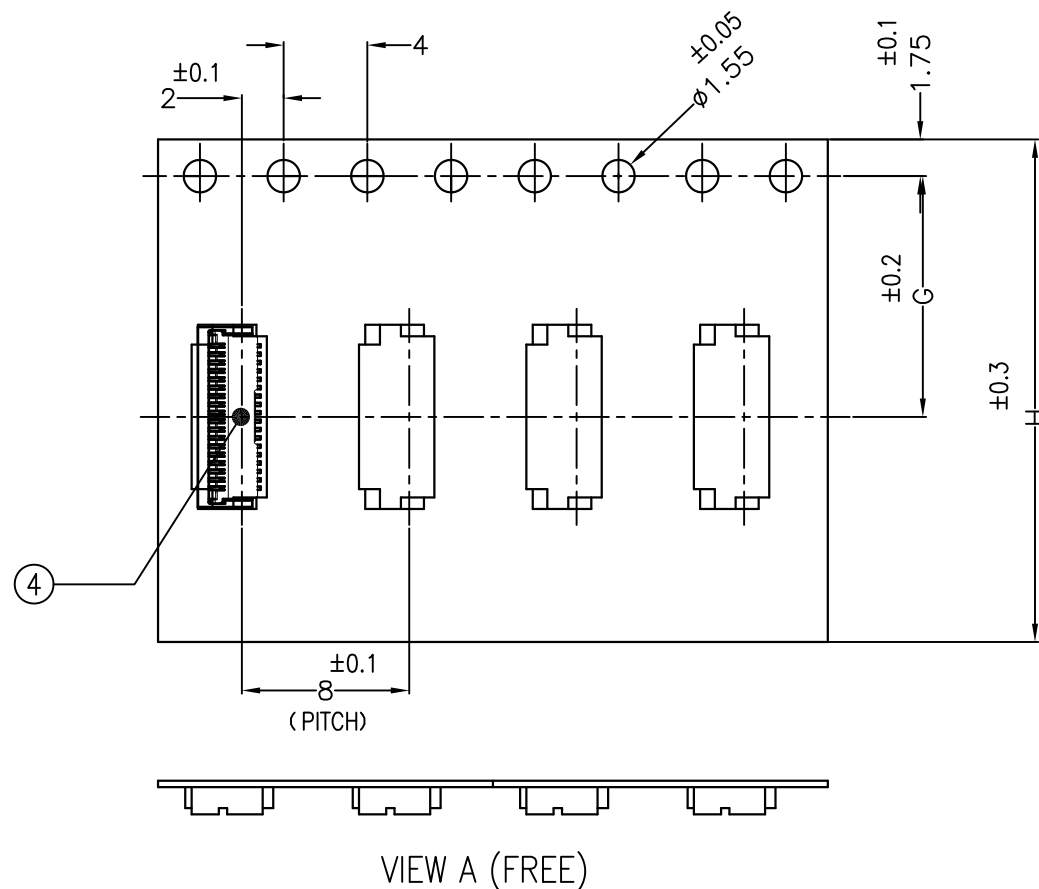
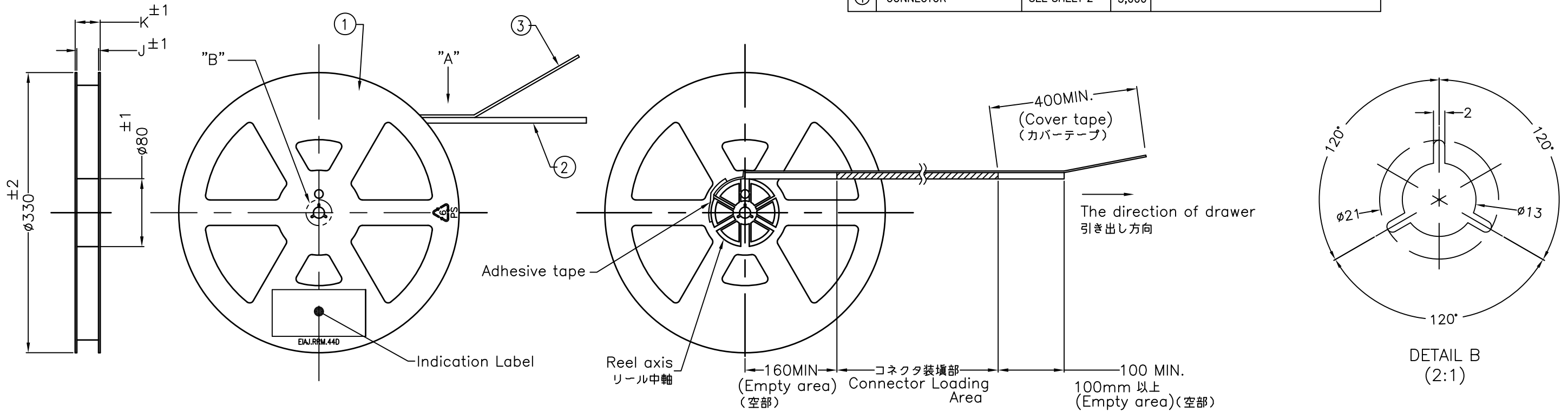


PRODUCT NO.	G	H	J	K	No. of Contact	Status
10121013-09B10EHLF	7.5	16	17.5	21.5	9 pos	TBD
10121013-18B10EHLF	11.5	24	25.5	29.5	18 pos	AVAILABLE

EMBOSS PACKAGE

PARTS TABLE 部品表

No.	PART NAME	MATERIAL	QTY.	NOTE
①	THE REEL FOR PACKAGING	POLYSTYRENE	1	Color : WHITE ELECTRIFICATION PREVENTION PROCESSING
②	EMBOSS TAPE	PP or PET	1	ELECTRIFICATION PREVENTION PROCESSING
③	COVER TAPE	POLYESTER	1	
④	CONNECTOR	SEE SHEET 2	5,000	



NOTE

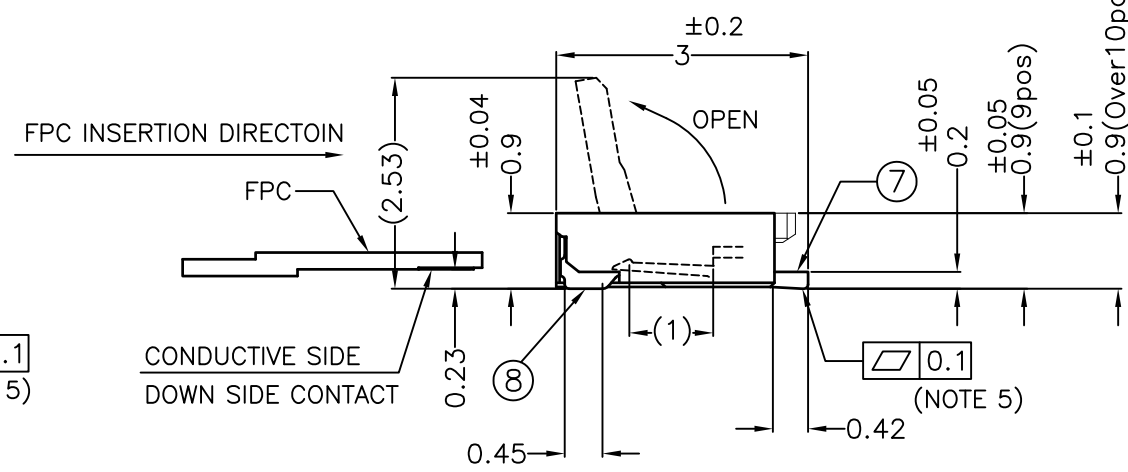
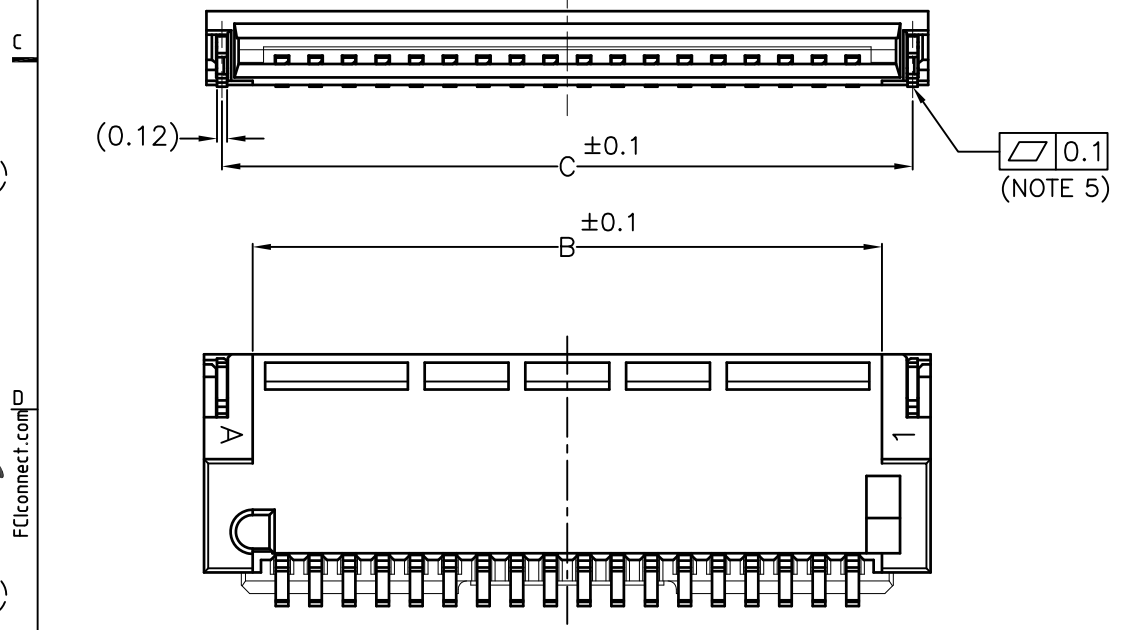
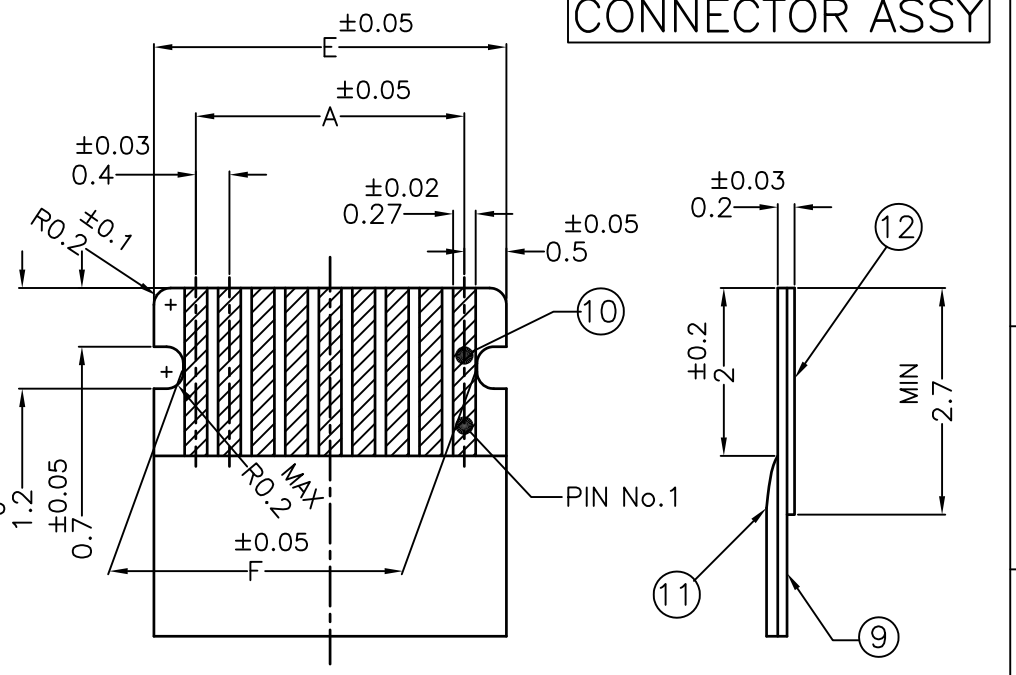
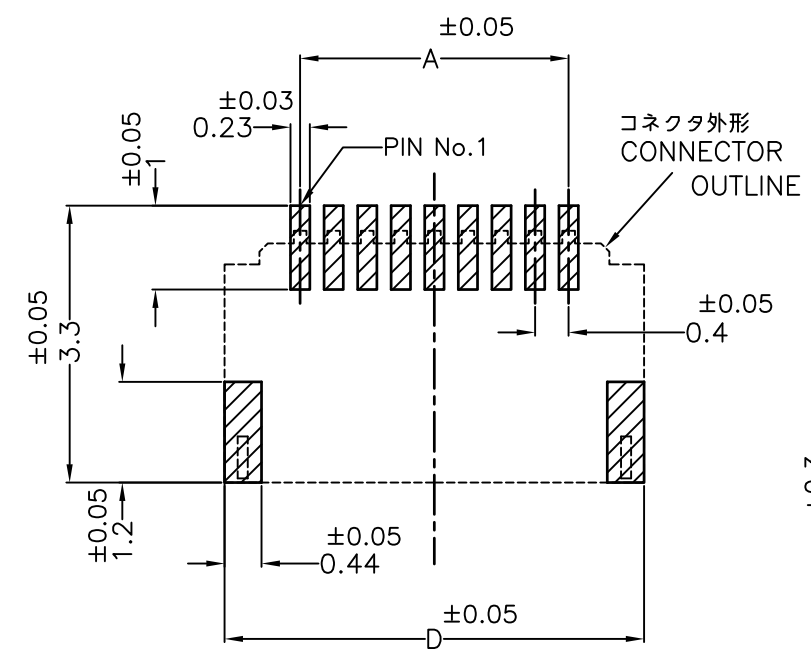
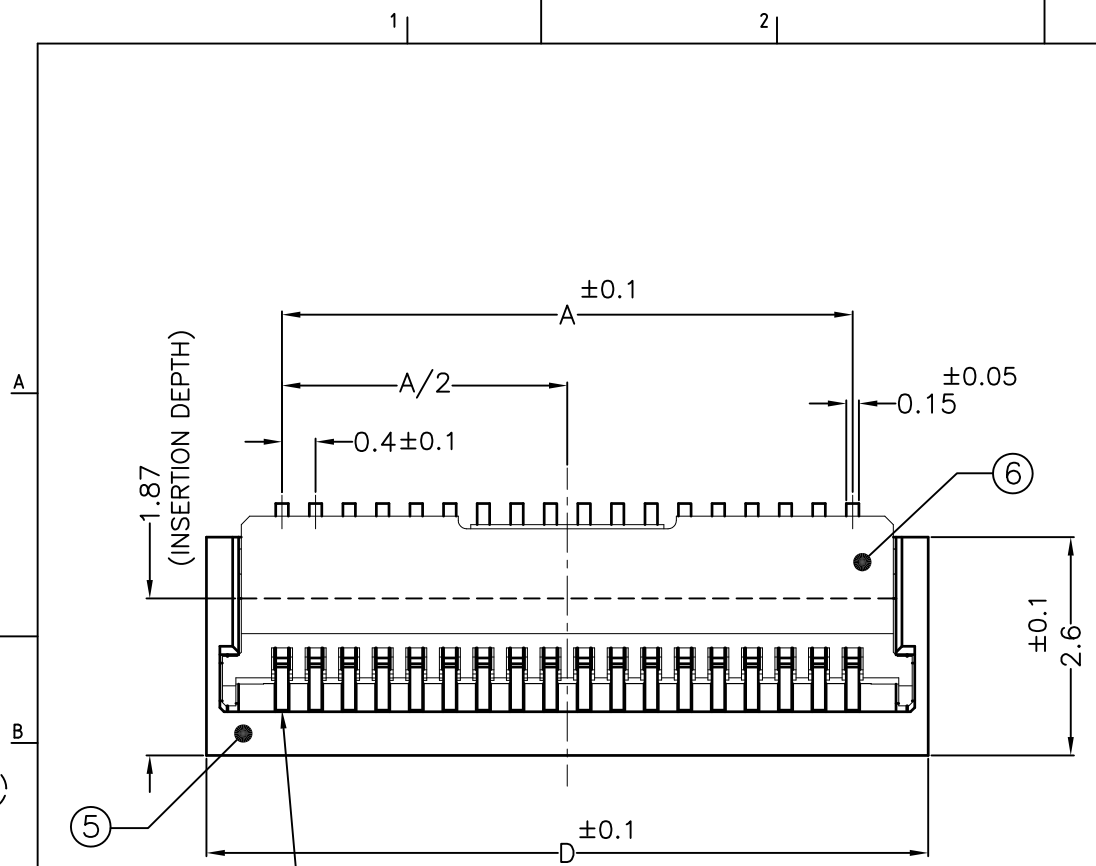
1. THIS ARTICLE CARRIES OUT THE EMBOSS TAPE PACKAGE OF THE CONNECTOR FOR 0.4mm PITCH FPC CONNECTOR.
2. THE SHAPE AND DIMENSION OF THIS ARTICLE ARE BASED ON JIS C 0806. (TAPING OF ELECTRIC PARTS< SURFACE MOUNTED DEVICE)
3. PACKAGING SPEC. : REFER TO GS-14-2285
4. PRODUCT SPEC. : REFER TO GS-12-1099

注記

1. 本品は0.4mmピッチFPCコネクタをエンボステープ梱包したものである。
2. 本品の形状及び寸法規定は JIS C 0806 (電子部品のテーピング (表面実装部品)) に準拠する。
3. 梱包規格はGS-14-2285を参照のこと
4. 製品規格はGS-12-1099を参照のこと

mat'l. code	---	surface	ISO 1302	tolerance	ISO 406 ISO 1101	projection	product family	CODE
ltr	description	ecn no	dr	date	tolerances unless otherwise specified	mm	588F	JP
A	RELEASED		N.S	2013-07-01	angles	0.X ±0.3	title	
					linear	0.XX ±0.3	0.4mm PITCH FPC CONNECTOR ASSY	
					±3°	0.XXX ±0.3	(SFGL-D SERIES NARROW TYPE)	
					dr	N.SASAME 2013-07-01	dwg no	sheet 1 of 2 size
					enr	N.SASAME 2013-07-01	10121013	A2
					chr	H.SUZUKI 2013-07-01	type	PRODUCT CUSTOMER Drawing
					appd	M.KAJIURA 2013-07-01	Rev.	A
sheet index	revision sheet	A	A					
		1	2					

CONNECTOR ASSY



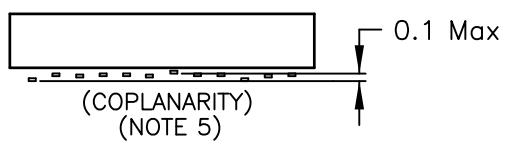
RECOMMENDED FPC PATTERN LAYOUT

PARTS TABLE (FPC)

No.	PART NAME	MATERIAL
⑨	BASE FILM	POLYIMIDE
⑩	CONDUCTOR	COPPER FOIL (PLATING : Au 0.1um)
⑪	OVER LAY	POLYIMIDE
⑫	STIFFENER BOARD	POLYIMIDE

NOTE
 5. CONTACT COPLANARITY : 0.1 MAX.
 6. This product meets European Union Directives and other country regulations as described in GS-22-008

注記
 5. 端子コプラナリティ : 0.1以下
 6. 本製品は、GS-22-008に記載されたヨーロッパ連合指令と他国の規制に適合しています。



PARTS TABLE (CONNECTOR) n=Number of Contacts

No.	PART NAME	QTY.	NOTE
⑤	HOUSING	1	HIGH TEMP THERMOPLASTIC LCP VECTRA E473i COLOR : BLACK , UL94V-0, HALOGEN FREE
⑥	ACTUATOR	1	HIGH TEMP THERMOPLASTIC PPS DIC FZ-4020-A4 COLOR : BLACK , UL94V-0, HALOGEN FREE
⑦	CONTACT	n	COPPER ALLOY (CORSON ALLOY) CONTACT AREA : Au 0.05um MIN SOLDERING AREA : Au 0.05um MIN UNDER PLATING : Ni 3±2um ALL OVER
⑧	FIXING TAB	2	COPPER ALLOY (PHOSPHOR BRONZE) TIN PLATING 2~5um UNDER PLATING : Ni 3±2um ALL OVER

NOTE
 ADHESIVE METHOD OF STIFFENER BOARD SHALL BE HEAT CRIMPING METHOD AND THERMOSETTING ADHESIVE SHALL BE USED.

TOOLING AVAILABLE	No. of Cont	DIM "F"	DIM "E"	DIM "D"	DIM "C"	DIM "B"	DIM "A"	PRODUCT NO.
YES	18	7.1	7.8	8.6	8.23	7.5	6.8	10121013-18BHLF
TBD	9	3.5	4.2	5.0	4.63	3.9	3.2	10121013-09BHLF

mat'l. code	surface	tolerance	projection	product family	CODE
---	ISO 1302	ISO 406	ISO 1101	588F	JP
lfr	description	ecn no	dr	date	tolerances unless otherwise specified
A	RELEASED		N.S	2013-07-01	angles linear 0.X ±0.3 0.XX ±0.3 0.XXX ±0.3
dr	N.SASAME	2013-07-01			mm
enr	N.SASAME	2013-07-01			scale 8:1
chr	H.SUZUKI	2013-07-01			
appd	M.KAJIURA	2013-07-01			
sheet index	revision sheet				

FCJ

product family 588F
 title 0.4mm PITCH FPC CONNECTOR ASSY (SFGL-D SERIES NARROW TYPE)
 dwg no 10121013 sheet 2 of 2 size A2
 type PRODUCT CUSTOMER Drawing Rev. A