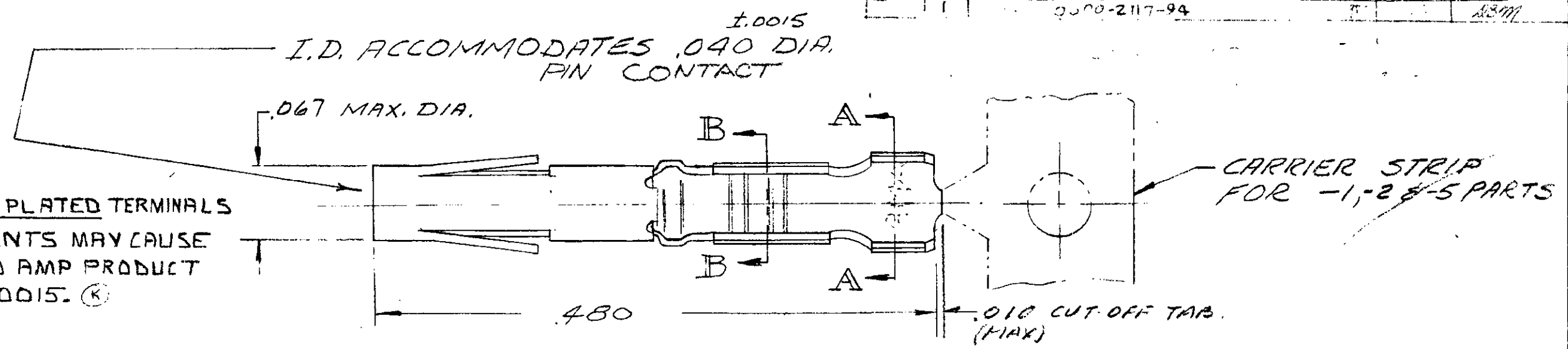
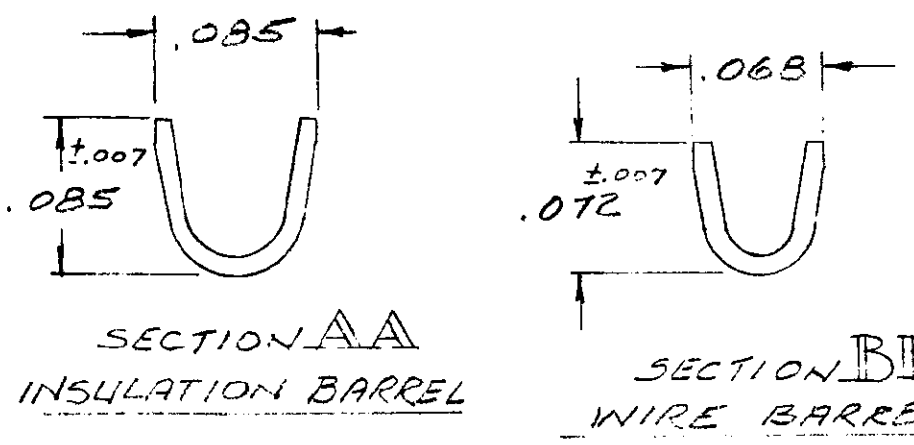


© 1967 BY AMP INCORPORATED. ALL RIGHTS RESERVED. AMP PRODUCTS COVERED BY PATENTS AND/OR PATENTS PENDING.

ZONE		LTR		REVISIONS	DATE	APPROVED
		R		REV. PER E.C.N. DF 0378	5-6-68	[Signature]
		S		REV. DF-0501	7-88	[Signature]
				0500-2117-94		[Signature]



⚠ CAUTION: USE OF TIN PLATED TERMINALS IN CERTAIN ENVIRONMENTS MAY CAUSE NON-CONFORMANCE TO AMP PRODUCT SPECIFICATION 108-10015. (K)



□ INDICATES WIRE RANGE OF 20, 22 & 24 AWG.
 WIRE RANGE: 20, 22, & 24 AWG.
 INSULATION RANGE: .062 MAX.
 HAND TOOL: AMP # 90260-1.
 EXTRACTION TOOL: AMP # 91038-3.
 INSERTION TOOL: AMP # 91042-1.

203802-7 **OBsolete** EXCEPT:
 1. SELECTIVELY PLATED .000015 GOLD OVER .000050 NICKEL.
 203802-8 **OBsolete** EXCEPT:
 1. THIS IS A LOOSE PIECE PART.

- 203802-1 1. AS SHOWN:
 2. STRIP PART
 3. BODY - BRASS, .000030 AU/.00005 NI.
 1. SLEEVE, STAINLESS STEEL
- 2 1. SAME AS -1, EXCEPT:
 2. BODY, SELECTIVE .000030 AU/.000050 NI.
- 3 1. SAME AS -1, EXCEPT:
 2. LOOSE PIECE PART
- 4 1. SAME AS -2, EXCEPT:
 2. LOOSE PIECE PART
- OBsolete** AS -1, EXCEPT:
 2. BODY, TIN PLATED (A) (K)
- 5 1. SAME AS -5, EXCEPT:
 2. LOOSE PIECE PART (A) (K)

- OBsolete** 1. SAME AS -5 EXCEPT:
 2. REVERSE REELED FOR STANDARD APPLICATOR. (A) (K)
- OBsolete** 1. SAME AS -2 EXCEPT:
 2. REVERSE REELED FOR STANDARD APPLICATOR.
- OBsolete** 1. SAME AS -3 EXCEPT:
 2. CUSTOMER PART NO. TO BE MARKED ON INNERMOST PACKAGE.
- OBsolete** 1. SAME AS -1 EXCEPT:
 2. CUSTOMER PART NO. TO BE MARKED ON INNERMOST PACKAGE.

UNLESS OTHERWISE SPECIFIED DIM. ARE IN INCHES. TOLERANCES ON: DECIMALS ± .005 ANGLES ± °	CONTRACT NO.		AMP AMP INCORPORATED HARRISBURG, PENNSYLVANIA			
	DR	59				
	MATERIAL	SEE CALLOUT	CHK	P. Miller 12-15-67		
	OTHER APPD	R. H. Turner 12-12-67	NAME	CONTACT ASSY-SOCKET SIZE 20 (20-24 GA)		
AMP INFO	FINISH	SCALE	WT	CALC	ACTUAL	SHEET
DF	CO	S	B	00779		203802