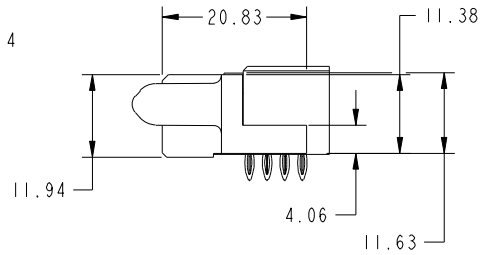
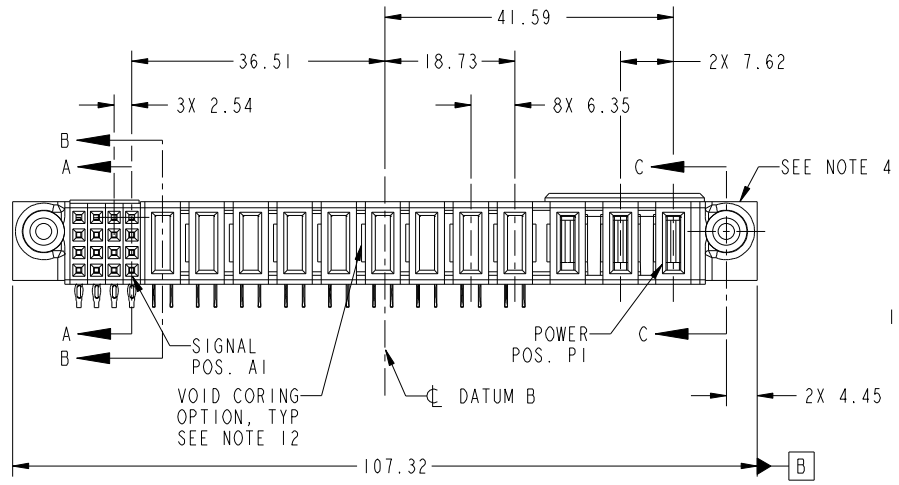
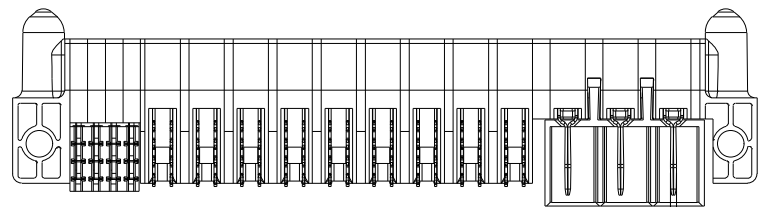
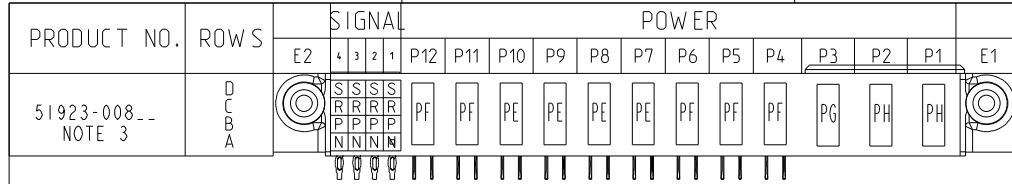


Tous droits strictement reserves. Reproduction ou communication a des tiers interdite sous quelque forme que ce soit sans autorisation écrite du propriétaire. Propriete de c FCI. Droits de reproduction FCI.



All rights strictly reserved. Reproduction or issue to third parties in any form whatever is not permitted without written authority from the proprietor. Property of FCI. Copyright FCI.



CODE	DIM "M" MATING LENGTH	CONTACT TYPE
PE	[1.07]	POWER
S	[N/A]	SIGNAL
R	[N/A]	SIGNAL
P	[N/A]	SIGNAL
N	[N/A]	SIGNAL
PF	[2.34]	POWER
PG	[1.07]	POWER
PH	[2.34]	POWER

mat'l code				SEE NOTE 2		tolerances unless otherwise specified		CUSTOMER	
ltr	ecn no.	dr	date	linear	0.X ± 0.5	projection	COPY		
A	DG09-0386	WD	12/13/09		0.XX ± 0.25		title		
B	DG10-0073	WD	02/22/10	angles	0.XXX ± 0.1		3ACP + 9P + 16S		
					0° ± 2°	R/A PRESS-FIT CABLE RECEPTACLE			
				dr	JULIA WANG 11/28/08	product family		PwrBlade	code
				enr	JULIA WANG 11/28/08	size		dwg no	213
				chr	PM ZHENG 11/28/08	scale		51923-008	sheet
				appd	JOSEPH HSIA 11/28/08	1:1		1 of 4	
sheet index	revision sheet	B 1	B 2	B 3	B 4				

FCI www.fciconnect.com

product family PwrBlade code 213

size dwg no 51923-008 sheet 1 of 4

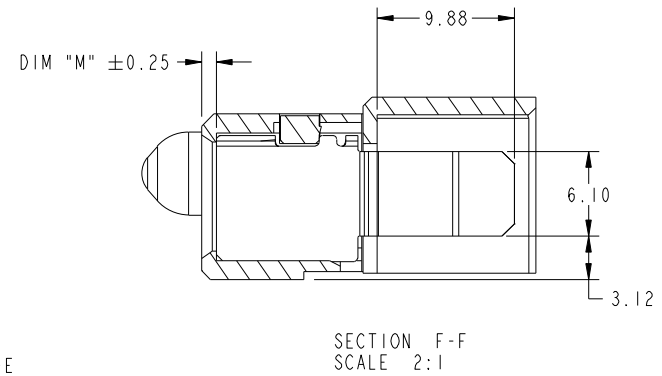
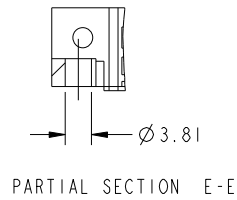
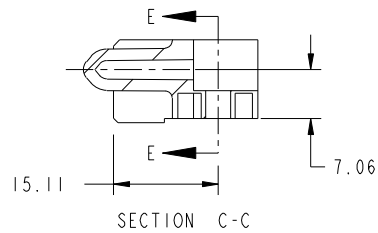
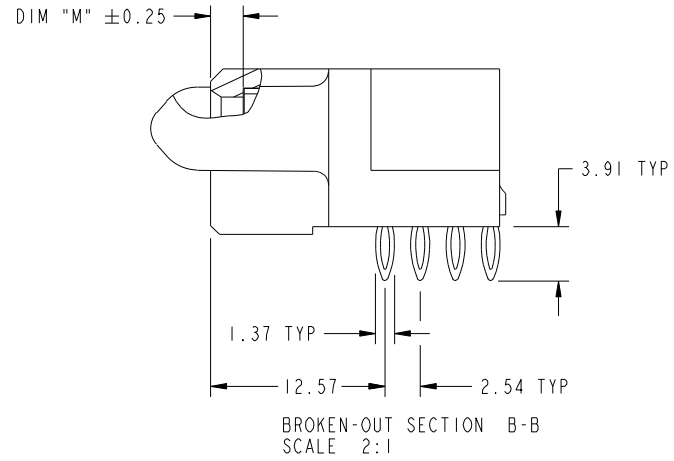
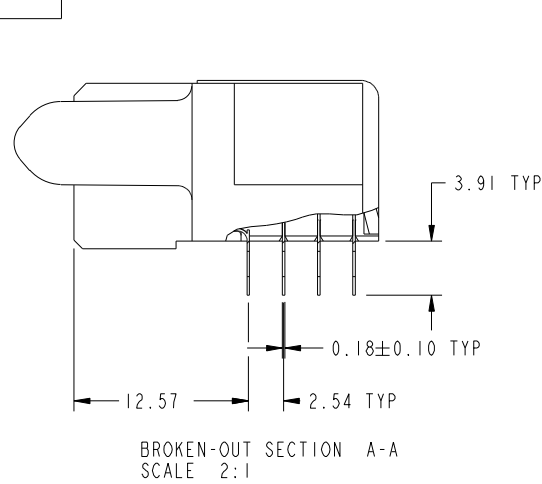
cage code 22526

Tous droits strictement reserves. Reproduction ou communication a des tiers interdite sous quelque forme que ce soit sans autorisation écrite du propriétaire. Propriete de c FCI. Droits de reproduction FCI.



All rights strictly reserved. Reproduction or issue to third parties in any form whatever is not permitted without written authority from the proprietor. Property of FCI. Copyright FCI.

PRODUCT NUMBER
51923-008-
NOTE 3



mat'l code		SEE NOTE 2		tolerances unless otherwise specified		CUSTOMER		 www.fciconnect.com	
ltr	ecr no.	dr	date	linear	0.X ± 0.5	COPY		title	
B					0.XX ± 0.25	projection		3ACP + 9P + 16S	
				angles	0.XXX ± 0.1			R/A PRESS-FIT CABLE RECEPTACLE	
				dr	0° ± 2°			product family PwrBlade code	
				enr	JULIA WANG 11/28/08	scale		size	
				chr	JULIA WANG 11/28/08	1:1		dwg no	
				appd	PM ZHENG 11/28/08			A 51923-008	
					JOSEPH HSIA 11/28/08			sheet	
sheet index	revision sheet							2 of 4	

Pro/E

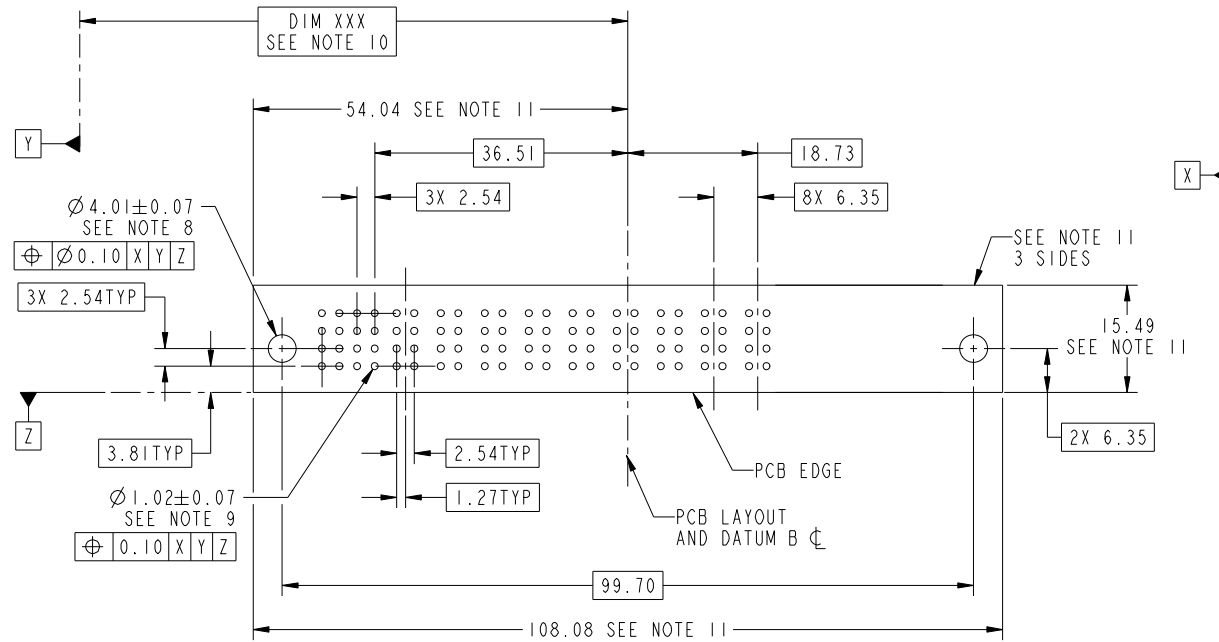
cage code 22526

Tous droits strictement reserves. Reproduction ou communication a des tiers interdite sous quelque forme que ce soit sans autorisation écrite du propriétaire. Propriete de c FCI. Droits de reproduction FCI.



All rights strictly reserved. Reproduction or issue to third parties in any form whatever is not permitted without written authority from the proprietor. Property of FCI. Copyright FCI.

PRODUCT NUMBER
51923-008--
NOTE 3



RECOMMENDED PCB LAYOUT

mat'l code		SEE NOTE		tolerances unless otherwise specified		CUSTOMER		FCI	
ltr	ecn no.	dr	date	linear	0.X ±0.5	COPY		www.fciconnect.com	
B					0.XX ±0.25	projection		title	
				angles	0.XXX ±0.1			3ACP + 9P + 16S	
				dr	0° ±2°			R/A PRESS-FIT CABLE RECEPTACLE	
				enr	JULIA WANG 11/28/08	scale		product family PwrBlade code	
				chr	JULIA WANG 11/28/08	1:1		size	
				appd	PM ZHENG 11/28/08			dwg no	
					JOSEPH HSIA 11/28/08			A 51923-008	
sheet index	revision sheet							sheet	
								3 of 4	

cage code 22526

Pro/E

Tous droits strictement reserves. Reproduction ou communication a des tiers interdite sous quelque forme que ce soit sans autorisation écrite du propriétaire. Propriete de c FCI. Droits de reproduction FCI.



All rights strictly reserved. Reproduction or issue to third parties in any form whatever is not permitted without written authority from the proprietor. Property of FCI. Copyright FCI.

PRODUCT NUMBER
51923-008_-
NOTE 3

NOTES:

1. DIMENSIONS AND TOLERANCES ARE IN ACCORDANCE WITH ASME Y14.5M, 1994 UNLESS OTHERWISE SPECIFIED.

CONNECTOR NOTES:

- 2. HOUSING MATERIAL: UL 94 V-0 GLASS FILLED HIGH-TEMP THERMOPLASTIC
POWER CONTACT MATERIAL: COPPER ALLOY
SIGNAL PIN MATERIAL: COPPER ALLOY
- 3. PLATING:
SEE ITEM 7 & 8 IN PRINT 10064183 FOR PLATING SPEC OF 51923-008, 51923-008LF RESPECTIVELY.

4. MANUFACTURER'S NAME, P/N, AND DATE CODE TO APPEAR ON THIS SURFACE.

5. PRODUCT SPECIFICATION GS-12-149.
APPLICATION SPECIFICATION BUS-20-067.

6. PACKAGED IN TRAYS.

PCB NOTES:

7. ALL HOLE DIAMETERS ARE FINISHED HOLE SIZE.

8. MOUNTING HOLES, WHERE APPLICABLE, ARE UNPLATED.

9. $\varnothing 1.151 \pm 0.025$ DRILLED HOLES PLATED WITH
0.008 MIN SnPb OR Sn OVER 0.03
TO 0.08 Cu PLATING TO ACHIEVE
 $\varnothing 1.02 \pm 0.07$ HOLE.

10. "DIM XXX" TO BE DETERMINED BY THE CUSTOMER.

11. CONNECTOR KEEP-OUT ZONE.

12. THE VOID CORING IN BETWEEN POWER MODULES, SIGNAL MODULES AND END MODULES ARE OPTIONAL AND THE SHAPE MAY BE DIFFERENT FOR OPTIMIZE THE MOLDING PROCESS. THE VOID CORING WILL NOT EFFECT TO PRODUCT FUNCTION.

13. USE FCI CAM TOOL 430140-XXX TO APPLY CONNECTOR TO PCB.

mat'l code				SEE NOTE 2		tolerances unless otherwise specified		CUSTOMER		FCI www.fciconnect.com	
ltr	ecr no.	dr	date	linear	0.X ± 0.5		COPY		projection	title	
B					0.XX ± 0.25		← MIM →			3ACP + 9P + 16S	
					0.XXX ± 0.1		← MIM →			R/A PRESS-FIT CABLE RECEPTACLE	
				angles	0° ± 2°		scale		product family		
				dr	JULIA WANG	11/28/08	1:1		PwrBlade		
				enr	JULIA WANG	11/28/08	A		code		
				chr	PM ZHENG	11/28/08			size		
				appd	JOSEPH HSIA	11/28/08			dwg no		
sheet index		revision sheet						4 of 4		sheet	
								51923-008		4 of 4	

cage code 22526

Pro/E