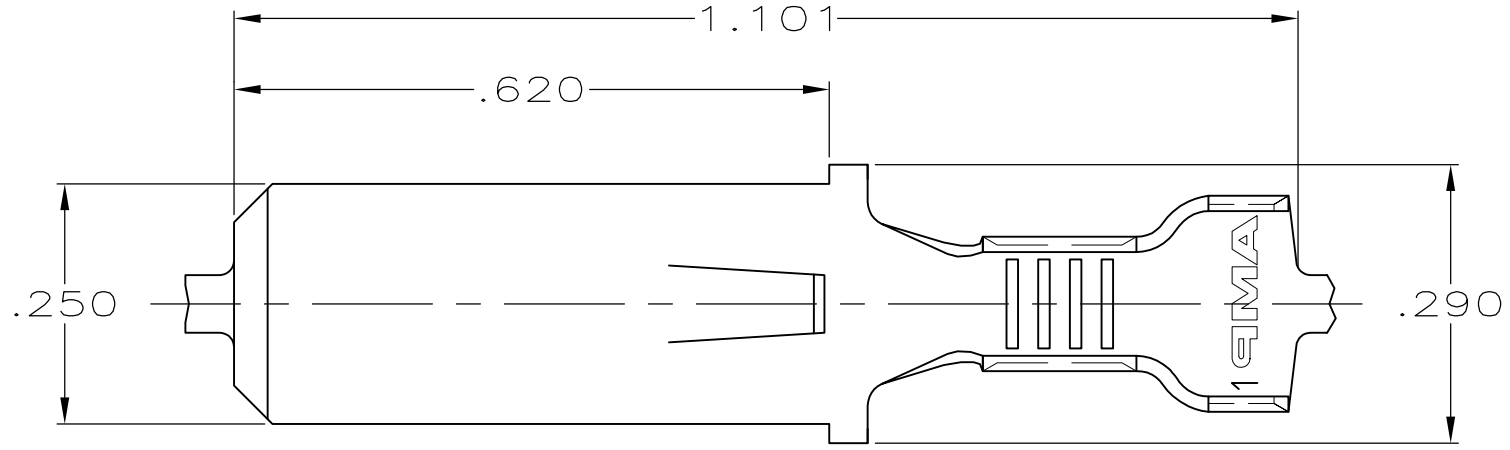
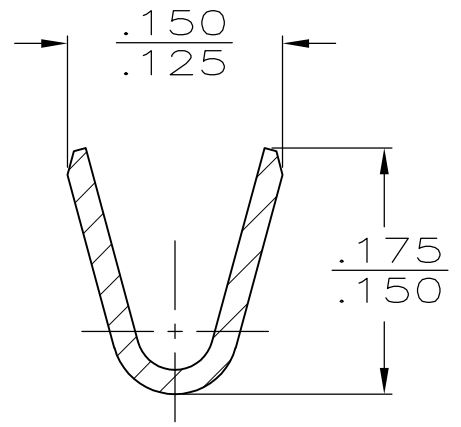
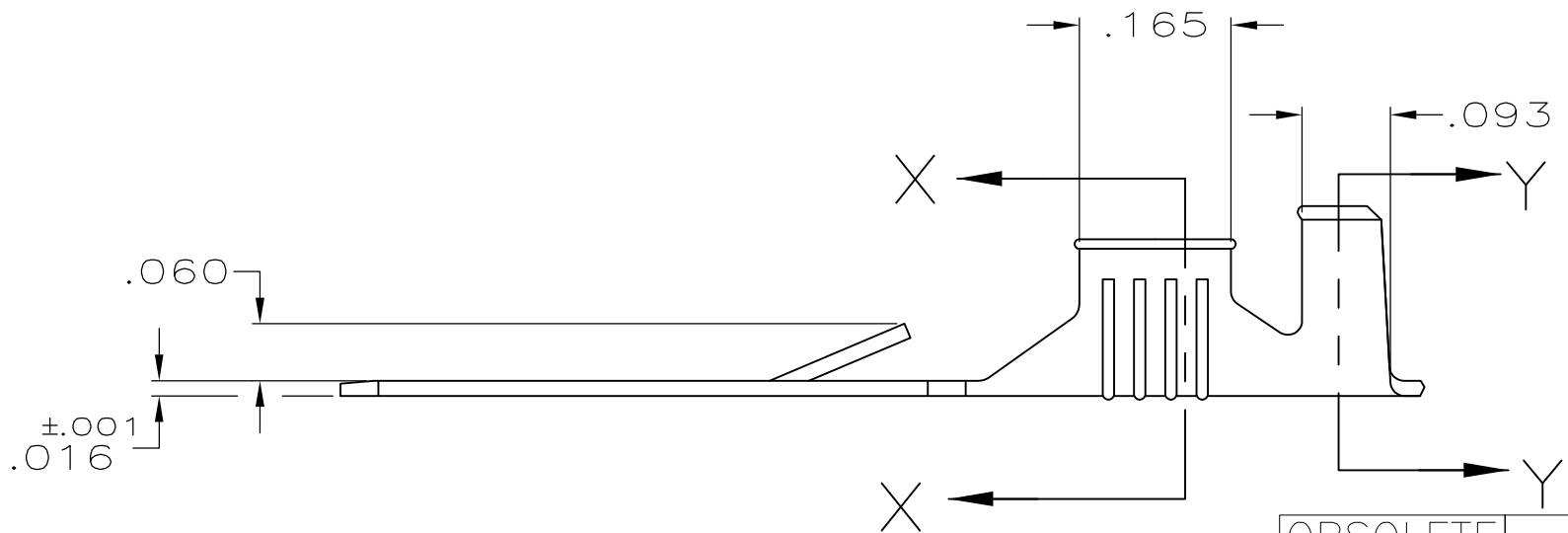


THIS DRAWING IS UNPUBLISHED. RELEASED FOR PUBLICATION
 © COPYRIGHT - By - ALL RIGHTS RESERVED.

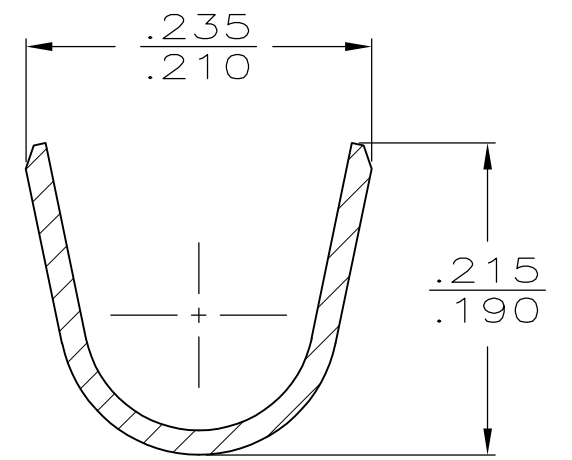
LOC	DIST	REVISIONS					
AF	50	P	LTR	DESCRIPTION	DATE	DWN	APVD
		AA		REVISED PER ECR-13-005733	22AUG13	KH	PD



- 1 FOREIGN PRODUCTION ONLY. AMP ARGENTINA
- 2 CONTINUOUS STRIP ON REELS.



SECTION X-X
SCALE 8:1



SECTION Y-Y
SCALE 8:1

OBSOLETE	PRE-TIN	.120-.145	18-14	42099-4
OBSOLETE	SILVER	.120-.145	18-14	42099-3
1	TIN .000080 MIN	.120-.145	18-14	42099-2
1	---	.120-.145	18-14	42099-1
	FINISH	INSUL RANGE	WIRE SIZE	

THIS DRAWING IS A CONTROLLED DOCUMENT.

DIMENSIONS:	TOLERANCES UNLESS OTHERWISE SPECIFIED:
INCHES	
	0 PLC ± -
	1 PLC ± -
	2 PLC ± -
	3 PLC ± .010
	4 PLC ± -
	ANGLES ± -

MATERIAL: BRASS
FINISH: SEE TABLE

DWN	JR RUTH	12/17/90
CHK	MS FEHER	12/17/90
APVD	J GILLESPIE	12/17/90
PRODUCT SPEC		
APPLICATION SPEC		
WEIGHT	-	



NAME: TAB, FASTIN-FASTON,™
.250 SERIES

SIZE	CAGE CODE	DRAWING NO	RESTRICTED TO
A3	00779	C-42099	-

CUSTOMER DRAWING SCALE 5:1 SHEET 1 OF 1 REV AA