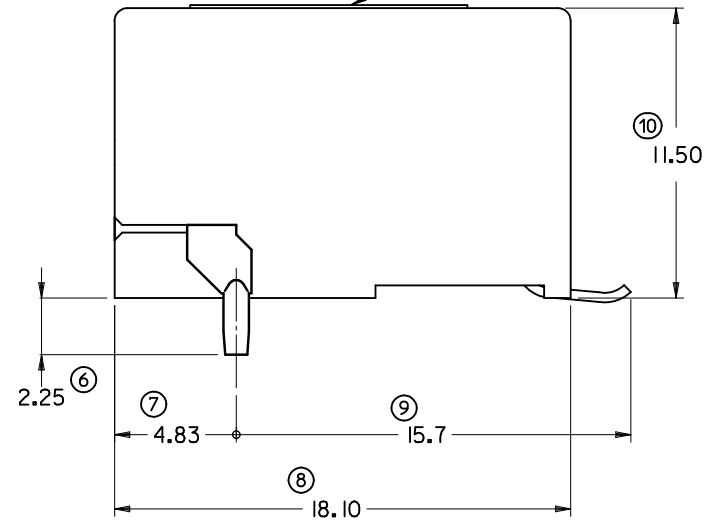
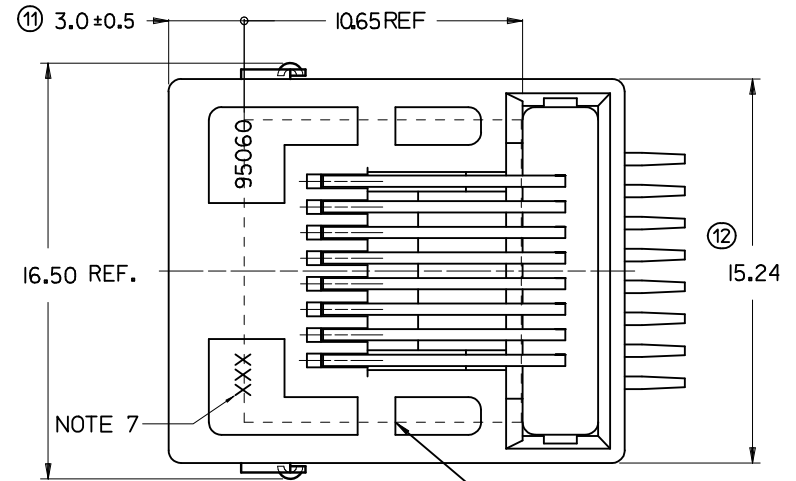
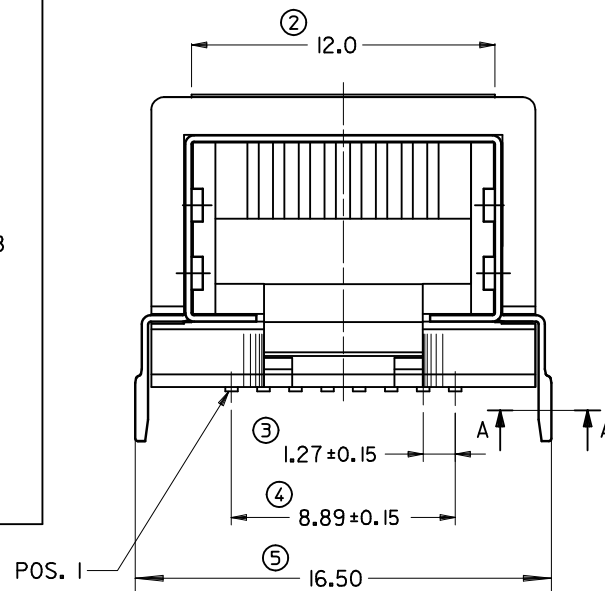
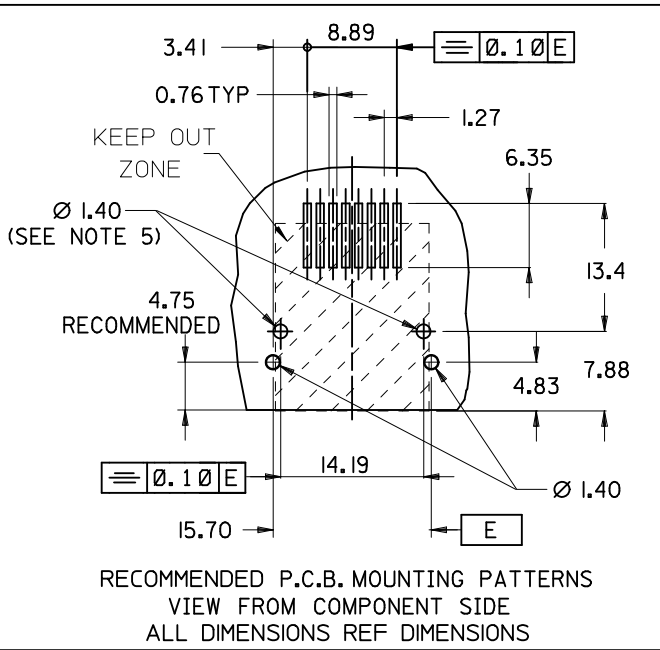
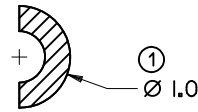


TECHNICAL SPECIFICATIONS:

MATERIAL :
HOUSING: LCP GLASS FILLED UL 94V0, COLOR: BLACK
TERMINAL: COPPER ALLOY PLATED WITH :
PLATING 2: 0.00127 MIN GOLD IN CONTACT AREA,
 0.00190 MIN TIN IN TAIL AREA,
 BOTH OVER 0.00127 MIN NICKEL OVERALL
PLATING 7: POST PLATE 0.00005 MIN GOLD FLASH OVER
 0.00060 MIN PALLADIUM NICKEL IN CONTACT
 AREA 0.00190 MIN TIN IN TAIL AREA,
 BOTH OVER 0.00127 MIN NICKEL OVERALL
SHIELD : COPPER ALLOY PLATED WITH 0.0020 MIN TIN

PACKAGING			
PART NUMBER	REEL SIZE	SPEC.	PLATING
95540-6880	330	PK-85502 SHT.1	2
95540-7880			7

SECTION A-A



NOTES:

- 1- JACK FOR MATING WITH F.C.C. 68 PLUGS 95043 MOLEX SERIES.
- 2- COPLANARITY OF LEADS : 0.10 MAX.
- 3- PACKAGING : MOLEX PK-85502 SHEET I (BLISTER ON REEL).
- 4- KAPTON ADHESIVE FOIL: 0.125 THICK.
- 5- OPTIONAL HOLES FOR COMPAT. WITH UNSHIELDED VERSION.
- 6- PRODUCT SPECIFICATION: MOLEX PS-95540-002
- 7- MANUFACTURING I.D. CAN BE EITHER MXF, MG OR MXI.
 LAST INSPECTION NUMBER: 12

ADDED OPTION EC NO: E2012-0079 DRWN: JOCONNOR 2011/03/11 CHKD: 2011/09/28 APPR: EFOLAN	QUALITY SYMBOLS ▽=0 ◻=1	GENERAL TOLERANCES (UNLESS SPECIFIED)		DIMENSION STYLE MM ONLY		SCALE 5:1	DESIGN UNITS METRIC	THIRD ANGLE PROJECTION	
		4 PLACES ± --- ± ---	mm INCH	DRAWN BY KNOLLER	DATE 04/06/16	TITLE RIGHT ANGLE LOW PROFILE SMT SHIELDED P.C. JACK WITH SOLDER LEGS			
		3 PLACES ± --- ± ---		CHECKED BY FCARABET	DATE 04/06/17	MOLEX INCORPORATED			
		2 PLACES ± 0.1 ± --- 1 PLACE ± 0.15 ± ---		APPROVED BY KNOLLER	DATE 04/06/17	MOLEX INCORPORATED			
ANGULAR ± 1/2°		DRAFT WHERE APPLICABLE MUST REMAIN WITHIN DIMENSIONS		MATERIAL NO. SEE CHART		DOCUMENT NO. SD-95540-001		SHEET NO. 3 OF 3	
THIS DRAWING CONTAINS INFORMATION THAT IS PROPRIETARY TO MOLEX INCORPORATED AND SHOULD NOT BE USED WITHOUT WRITTEN PERMISSION									