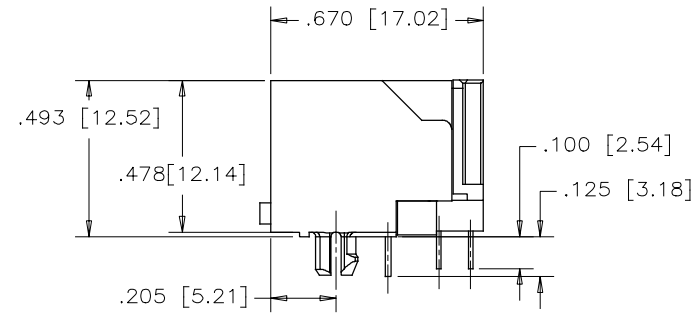
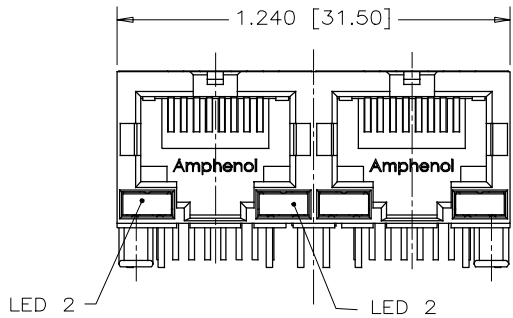


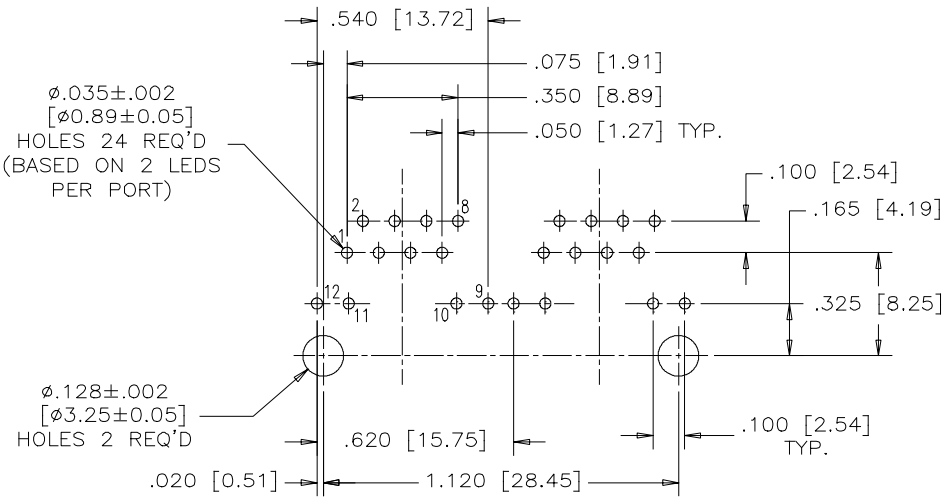
REVISIONS			
REV	DESCRIPTION, ECN, EAR NO.	DATE	APP'D
A	PROPOSAL	JUN21/19	L.CHAN



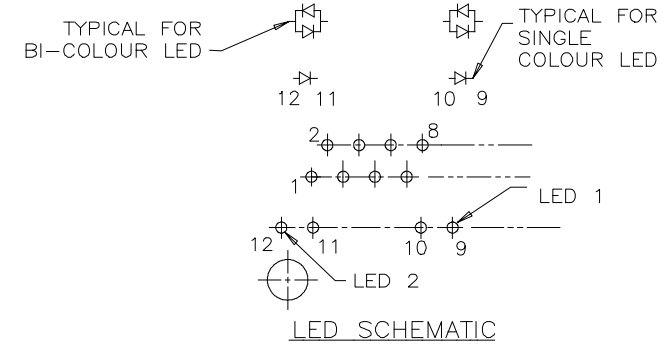
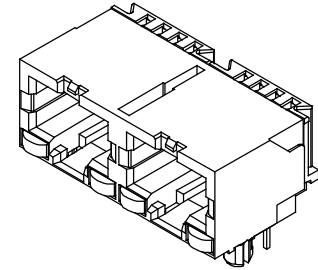
GREEN  
 10 OR 12  
 9 OR 11

RED

**BI-COLOUR LED DETAIL**  
 (GREEN/YELLOW, RED/YELLOW AND GREEN/ORANGE ARE ALSO AVAILABLE)

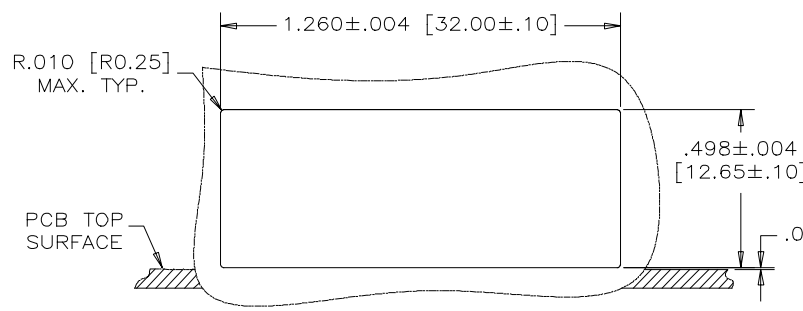


**RECOMMENDED P.C.B. LAYOUT**  
 (COMPONENT SIDE OF BOARD)

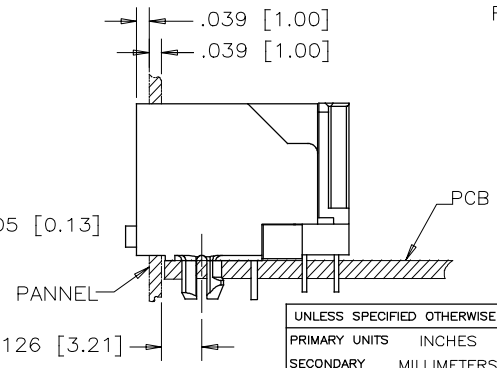


**MATERIALS:**  
 HOUSING: ENGINEERING TEMPERATURE THERMOPLASTIC.  
 COLOR: BLACK, FLAMMABILITY RATING UL 94V-0

CONTACTS: PHOSPHOR BRONZE  
 PLATING: SELECTIVE GOLD PLATING ON MATING SURFACE  
 SEE PART NO. FOR THICKNESS  
 50µ" [1.27 MICRONS]  
 MIN. NICKEL UNDERPLATE.  
 100µ" MIN. MATTE-TIN OR GOLD FLASH ON CONTACT TAILS.



**RECOMMENDED PANEL CUTOUT**



RECOMMENDED SOLDERING TEMPERATURE:  
 WAVE SOLDERING AT 260°C MAX. FOR 5 SEC MAX.

**PART NUMBER: RJSBE-X08X-C2X**

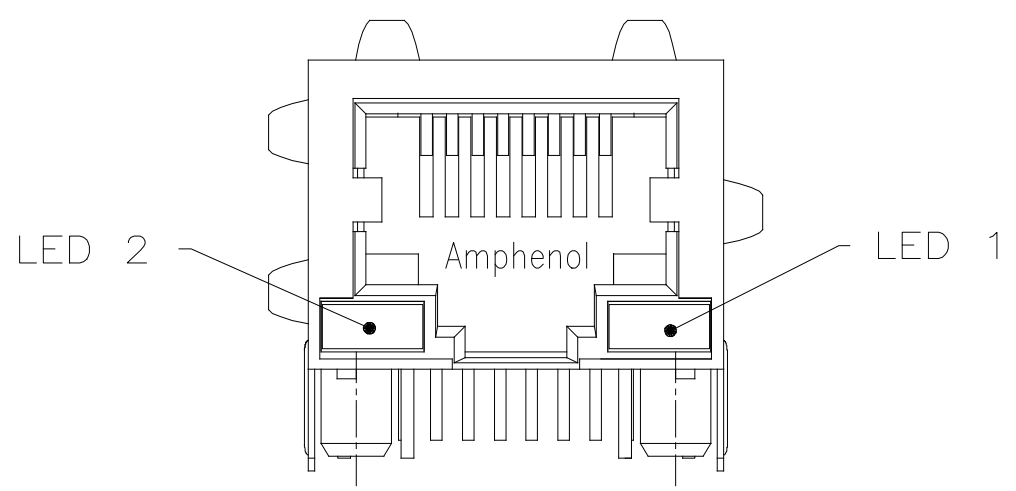
GOLD PLATING OPTION:  
 D = 6u" GOLD PLATING  
 G = 15u" GOLD PLATING  
 J = 30u" GOLD PLATING  
 5 = 50u" GOLD PLATING

REFER TO LED OPTIONS DRAWING FOR ORDERING CODES

UNLESS SPECIFIED OTHERWISE	DRAWN	RONNIE.C	JUN21/19
PRIMARY UNITS INCHES	CHECKED	L.CHAN	JUN21/19
SECONDARY MILLIMETERS	M.E. APP'D		
REFERENCE IN PARENTHESES	Q.A. APP'D		
GENERAL TOLERANCES	DWG APP'D		
1 DECIMAL PLACE	ENG. REL. NO.		
2 DECIMAL PLACES	REF.		
3 DECIMAL PLACES ±.015			
ANGULAR DEGREES ±1.5°	THIRD ANGLE PROJECTION		
	DO NOT SCALE DRAWING		

Amphenol Canada Corp. Commercial Products	
2 PORT MODULAR JACK, 8 POSITION, 8 CONTACT, WITHOUT SHIELD, UNSHIELD, WITH GOLD PLATING AND LED OPTIONS, - RoHS COMPLIANT	
DWG NO.	REV
P-RJSBE-X08X-C2X	A
CODE ID NO. 03554	DWG SIZE X SCALE N/A SHEET 1 OF 1

REVISIONS				
SYM	ZONE	ECN, ERN NO.	DATE	APPRD.
A		PROPOSAL	05/07/22	L.CHAN
B		ADD LED OPTION	JUN 26/12	L.CHAN
C		ADD LED OPTION	JUN 28/12	L.CHAN
D		CHANGE ROHS STAMP	DEC20/12	L.CHAN



TYPICAL FOR SINGLE & MULTI-PORT



LED SPECIFICATIONS:  
 FORWARD VOLTAGE: 2.1 VOLTS TYP.  
 REVERSE VOLTAGE: 5.0 VOLTS MIN.  
 LUMINOUS INTENSITY: 0.5 mCd MIN.  
 (AT If=2mA)  
 OPERATING TEMPERATURE: -40°C TO 85° C  
 WAVE SOLDERING TEMPERATURE: 260° C  
 (5 SEC, 1/16" FROM CASE)  
 PLATING ON TAILS: TIN OR TIN/COPPER ALLOY  
 OVER SILVER

EXAMPLE:

PART NUMBER RJSBE-538X-C1

+ — (ANODE) — (CATHODE)

↑  
LED COLOR CODE

CODE	LED 2 (LEFT)	LED 1 (RIGHT)	CODE	LED 2 (LEFT)	LED 1 (RIGHT)	CODE	LED 2 (LEFT)	LED 1 (RIGHT)
0	BLOCKED	BLOCKED	9	GREEN	BLOCKED	J	BiC RD/GR	YELLOW
1	YELLOW	GREEN	A	BiC GR/YE	BiC GR/YE	K	YELLOW	BiC GR/OR
2	BLOCKED	GREEN	B	BiC RD/GR	BiC RD/GR	L	BiC GR/YE	RED
3	YELLOW	BLOCKED	C	BiC RD/GR	BiC GR/YE	M	RED	YELLOW
4	GREEN	YELLOW	D	GREEN	BiC GR/YE	N	BiC GR/RD	BiC GR/YE
5	GREEN	GREEN	E	YELLOW	BiC GR/YE	P	GREEN	BiC RD/GR
6	YELLOW	YELLOW	F	BiC GR/YE	YELLOW	R	BiC GR/OR	GREEN
7	RED	GREEN	G	BiC GR/OR	BiC GR/OR	T	RED	RED
8	GREEN	RED	H	BiC GR/YE	GREEN	V	BiC RD/GR	GREEN
			W	ADDITIONAL OPTIONS				

PRIMARY COLOR FOR BI-COLOR  
 LEDS IN STANDARD ANODE/  
 CATHODE CONFIGURATION IS:  
 RED-GREEN= RED  
 RED-YELLOW= RED  
 GREEN-YELLOW= GREEN  
 GREEN-ORANGE= GREEN

EXAMPLE OF ADDITIONAL LED OPTIONS:

PART NUMBER RJSBE-538W-C1X

↑  
ADDITIONAL LED COLOR CODE

↑  
DENOTES ADDITIONAL LED OPTIONS TO BE USED

CODE	LED 2 (LEFT)	LED 1 (RIGHT)	CODE	LED 2 (LEFT)	LED 1 (RIGHT)	CODE	LED 2 (LEFT)	LED 1 (RIGHT)
0	DO NOT USE		5	BLOCKED	YELLOW	A	LOWC YE	LOWC YE
1	RED	BLOCKED	6	RED	BiC RD/GR	B	LOWC YE	LOWC GR
2	BiC GR/OR	YELLOW	7			C	LOWC GR	LOWC YE
3	YELLOW	RED	8	BiC RD/GR	BLOCKED	D	LOWC GR	LOWC GR
4	BLOCKED	RED	9	BiC GR/YE	BLOCKED	M	LOWC RD	LOWC YE
						N	GREEN	BiC GR/OR
						E	GREEN	ORANGE
						F	ORANGE	GREEN
						P	BiC RD/YE	GREEN
						R	BiC RD/YE	BiC RD/YE

LEGEND

BiC=BI-COLOR LED  
 LOWC=LOW CURRENT LED  
 YE=YELLOW  
 GR=GREEN  
 RD=RED  
 OR=ORANGE

NOTE:

THE TWO DIGITS PRECEDING THE  
 ADDITIONAL LED CODE MUST BE  
 USED IN THE PART NUMBER, WHEN  
 ORDERING ANY OF THE ADDITIONAL  
 LED OPTIONS.

DRAWN PAUL WANG	DATE 05/07/22
DESIGNED	
CHECKED TERRY	DATE 05/07/22
I. E. APPRD.	
Q. A. APPRD.	
DWG. APPRD.	
ENG. REL. NO.	
REF.	
DIMENSIONS ARE IN INCHES [mm]	CODE ID. NO. 03554

Amphenol Canada Corp.	
TITLE LED OPTIONS FOR RJSBE, SINGLE & MULTI-PORT CONNECTORS -RoHS COMPLIANT	
DWG	DRAWING NO. P-RJSBE-LEDS
REF.	REV. D
SCALE	WT. ----- SURF. ----- SHEET 1 OF 1

THIS DOCUMENT CONTAINS PROPRIETARY INFORMATION AND SUCH INFORMATION  
 MAY NOT BE DISCLOSED TO OTHERS FOR ANY PURPOSE OR USED FOR MANUFACTURING  
 PURPOSES WITHOUT WRITTEN PERMISSION FROM AMPHENOL CANADA CORP.