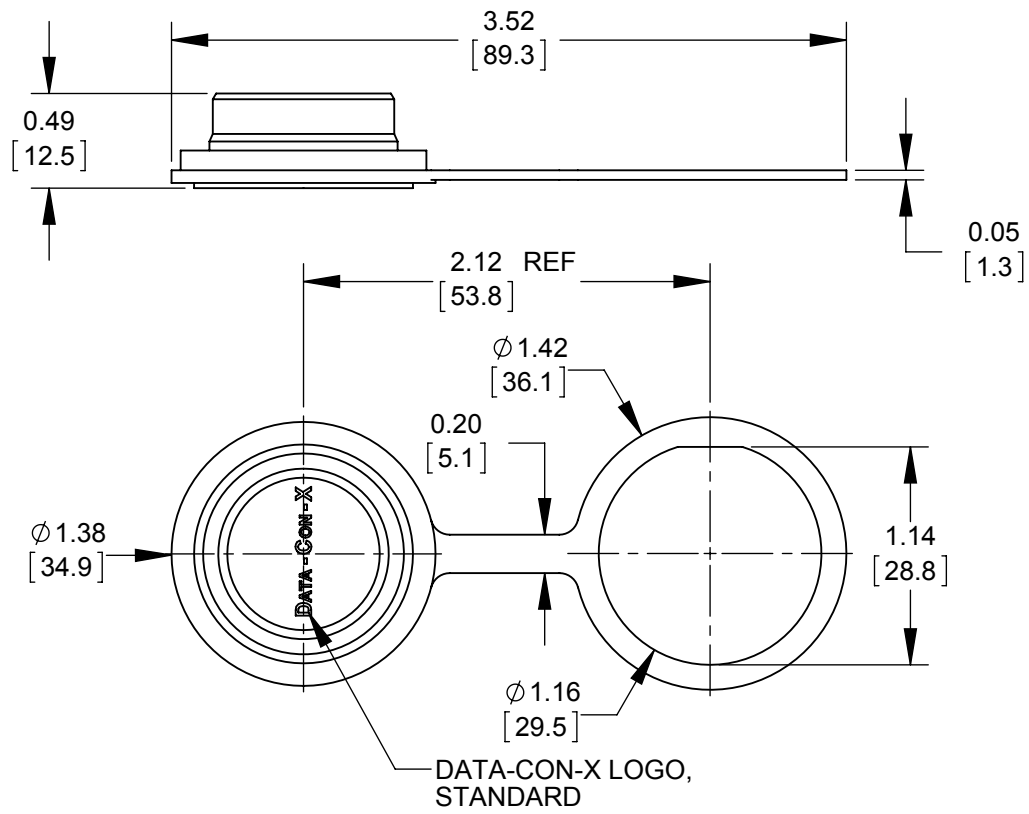
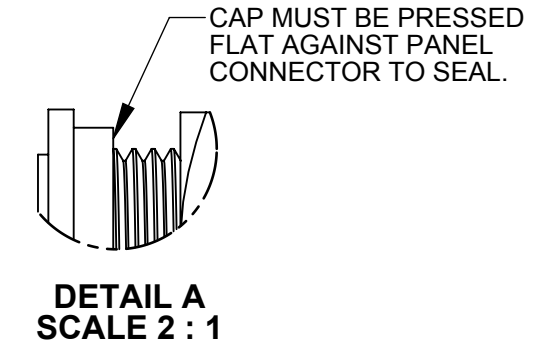
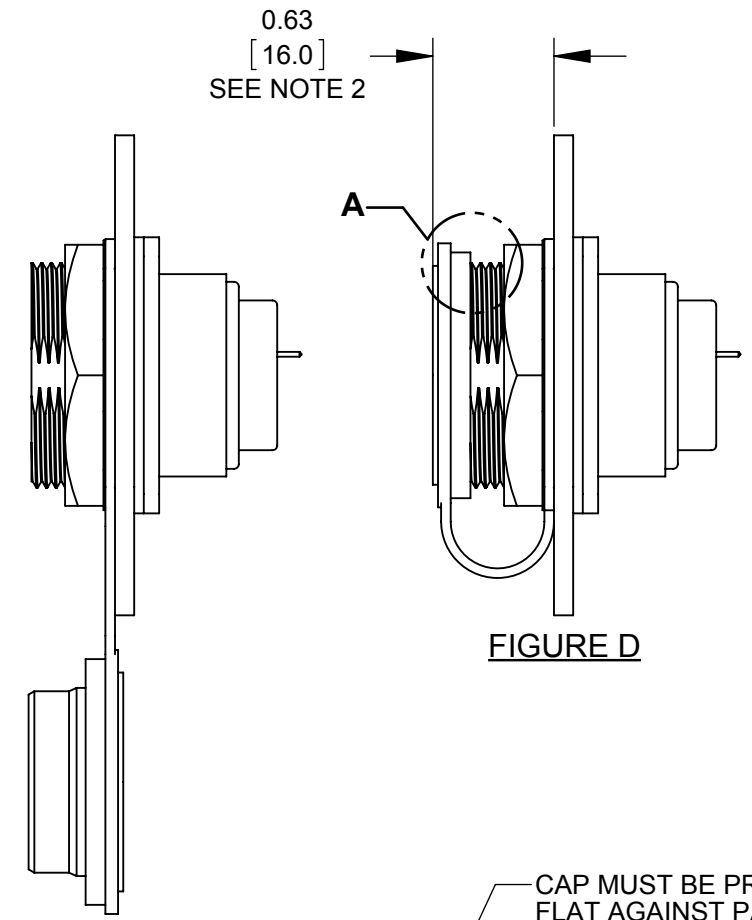
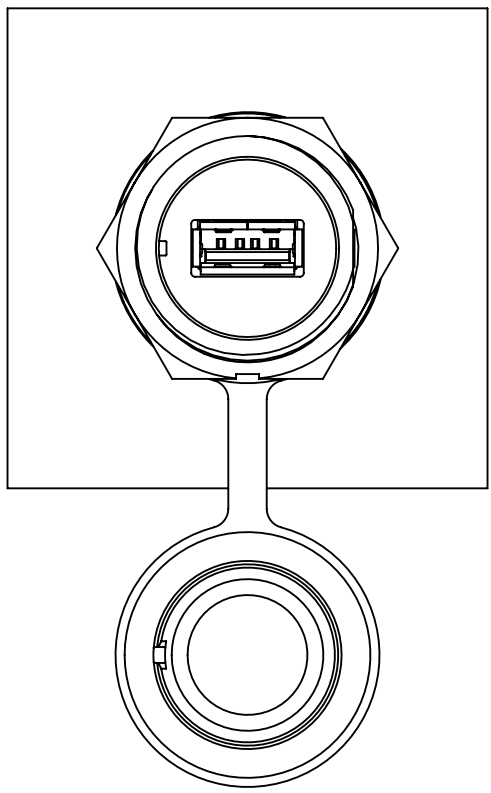
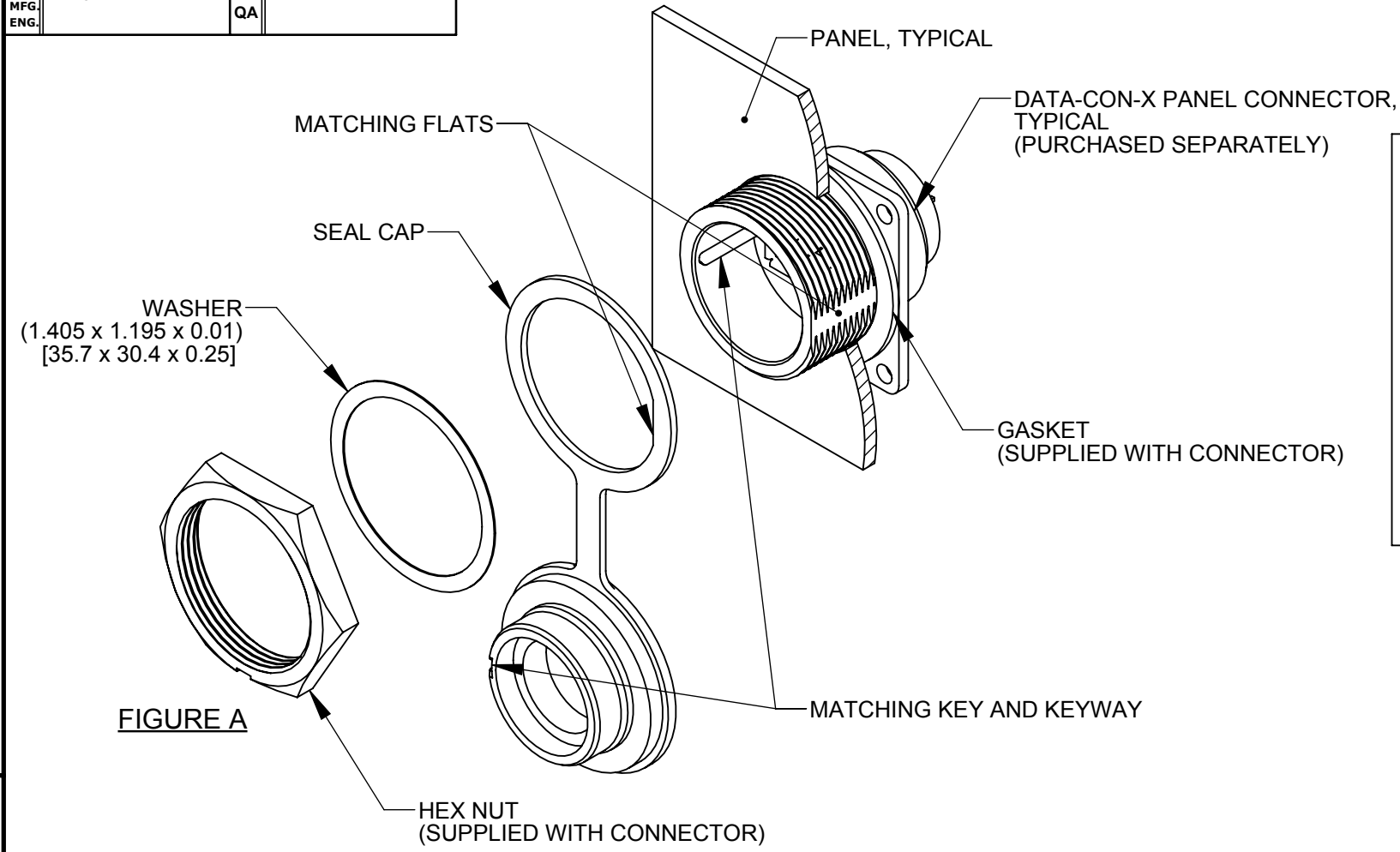


CUSTOMER DRAWING

PART NUMBER: D24295-WA



DIMENSIONS SHOWN FOR REFERENCE ONLY

DIMENSIONS IN BRACKET [ ] ARE METRIC.

**RoHS COMPLIANT**

- NOTES:
- D24295-WA CONTAINS ONE SEAL CAP AND ONE FLAT WASHER.
  - THE DIMENSION DOES NOT INCLUDE GASKET COMPRESSION.
  - INSTALL SEAL CAP ON THE CONNECTOR AS SHOWN IN FIGURE A. HEX NUT RECOMMENDED TORQUE: 8-10 lb-in [0.90 - 1.13 N-m].
  - MATERIAL: SEAL CAP - THERMOPLASTIC ELASTOMER, BLACK  
WASHER - MYLAR, WHITE
  - UNLESS OTHERWISE SPECIFIED TOLERANCES:  
TWO PLACE DECIMALS ±0.02 [±0.5]

**CUSTOMER DRAWING**

0A	JGK	8/27/15	DRAWING CREATED FOR DATA-CON-X IP CAP.		
REV.	INIT.	DATE	DESCRIPTION		
	JGK	8/27/15	ORIG. DRAWN BY: JGK DATE: 8/27/15 CHECKED BY: APPROVED BY:		
ALL INFORMATION ILLUSTRATED IS THE PROPERTY OF CONXALL CORPORATION. UNAUTHORIZED DUPLICATION OR DISTRIBUTION OF THIS DOCUMENT IS PROHIBITED.			601 E. WILDWOOD VILLA PARK, IL 60181		
ALL UNITS ARE IN FEET, INCHES, FRACTION OF INCHES AND DECIMALS. UNLESS OTHERWISE SPECIFIED TOLERANCES: 3 PLACE DECIMALS ±0.005 ANGLES ±1° FRACTIONS ±1/16 - CRITICAL CHARACTERISTIC FLAG PER SPEC. XXXX					
TITLE: PANEL SEAL CAP DATA-CON-X SERIES IP RATED STANDARD PRODUCT			SCALE	SIZE	SHEET
CUSTOMER: D24295-WA			1:1	B	1 OF 1
FILE:	DIRECTORY:	PART NUMBER:	REV		
SAME AS P/N	SLW	D24295-WA	0A		