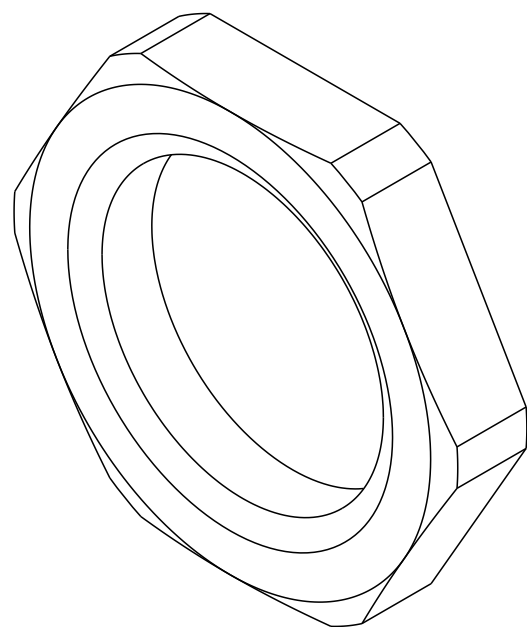
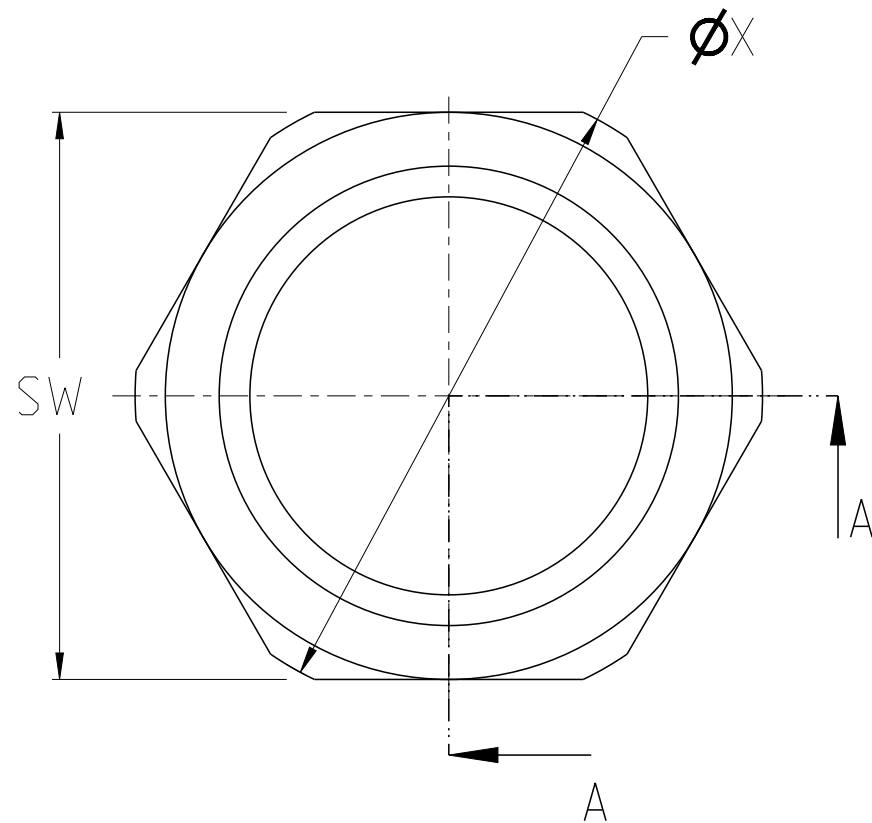
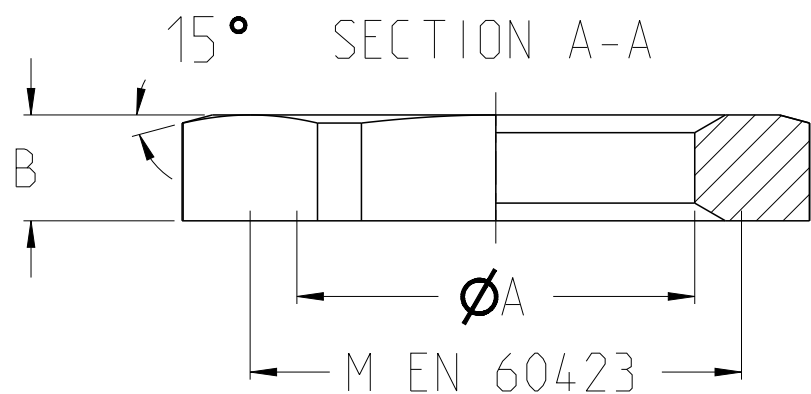


P	LTR	DESCRIPTION	DATE	DWN	APVD
	A	INITIAL REVISION	16FEB2022	GN	RM



TCPN	TE Product Type (Entrelec)	M EN 60423	ØA	B	ØX	SW
1SNG608001R0000	EM-LN-M12-MET-A	M12x1.5	10.37-10.67	2.8	16.6	15
1SNG608002R0000	EM-LN-M16-MET-A	M16x1.5	14.37-14.67	3.0	21.0	19
1SNG608003R0000	EM-LN-M20-MET-A	M20x1.5	18.37-18.67	3.5	26.5	24
1SNG608004R0000	EM-LN-M25-MET-A	M25x1.5	23.37-23.67	4.0	33.0	30
1SNG608005R0000	EM-LN-M32-MET-A	M32x1.5	30.37-30.67	5.0	39.5	36
1SNG608006R0000	EM-LN-M40-MET-A	M40x1.5	38.37-38.67	5.0	51.0	46
1SNG608007R0000	EM-LN-M50-MET-A	M50x1.5	48.37-48.67	5.0	66.0	60
1SNG608008R0000	EM-LN-M63-MET-A	M63x1.5	61.37-61.67	6.0	77.0	70

THIS DRAWING IS A CONTROLLED DOCUMENT.		DWN 16FEB2022 N Hunashikatti, Girish															
DIMENSIONS: mm		CHK 16FEB2022 Rajan n. Kasi															
TOLERANCES UNLESS OTHERWISE SPECIFIED:		APVD 16FEB2022 Rafeeq. Mohd	NAME M-LOCK-NUT-METAL														
<table border="0"> <tr> <td>0 PLC</td> <td>±1</td> </tr> <tr> <td>1 PLC</td> <td>±1</td> </tr> <tr> <td>2 PLC</td> <td>±1</td> </tr> <tr> <td>3 PLC</td> <td>±1</td> </tr> <tr> <td>4 PLC</td> <td>±1</td> </tr> <tr> <td>ANGLES</td> <td>±</td> </tr> </table>		0 PLC	±1	1 PLC	±1	2 PLC	±1	3 PLC	±1	4 PLC	±1	ANGLES	±	PRODUCT SPEC M-LOCK-NUT-METAL	SIZE A3		
0 PLC	±1																
1 PLC	±1																
2 PLC	±1																
3 PLC	±1																
4 PLC	±1																
ANGLES	±																
MATERIAL Brass		FINISH Nickel Plated	APPLICATION SPEC -	CAGE CODE 00779	DRAWING NO ©=1SNP061321-0100												
-		WEIGHT -	RESTRICTED TO -														
CUSTOMER DRAWING			SCALE 5:1	SHEET 1 OF 1	REV A1												