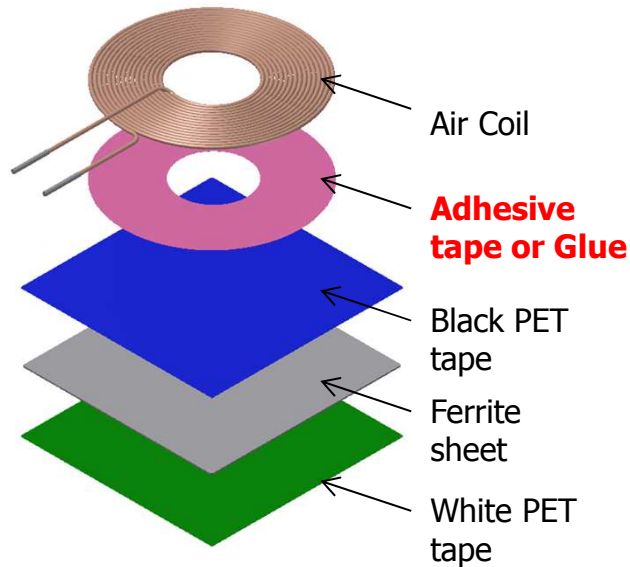


# TDK P/N: : WR55540-16K2-FS2(Rev.2)

## <Structure>



## <Thickness>

Wireless charging Coil thickness (Include I/O)		
	Typ.	Max.
Coil+Resin	0.94	1.14
Coil+Resin	0.94	1.14
Adhesive Tape	0.03	0.03
PET Tape	0.03	0.03
Main sheet	0.40	0.44
PET Tape	0.03	0.03
<b>Total</b>	<b>2.37</b>	<b>2.81</b>

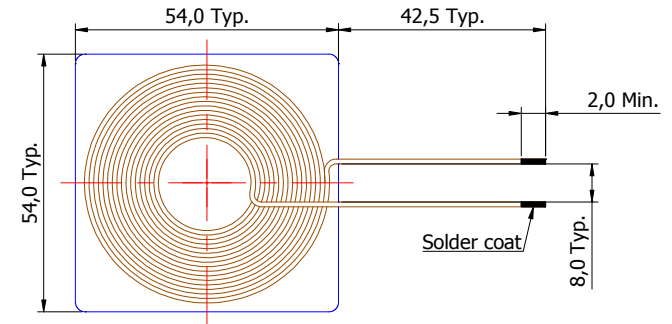
Unit:mm

Wireless charging Coil thickness		
	Typ.	Max.
Coil+Resin	0.94	1.14
Adhesive Tape	0.03	0.03
PET Tape	0.03	0.03
Main sheet	0.40	0.44
PET Tape	0.03	0.03
<b>Total</b>	<b>1.43</b>	<b>1.67</b>

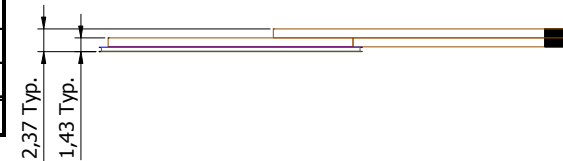
Unit:mm

## <Dimension for Product>

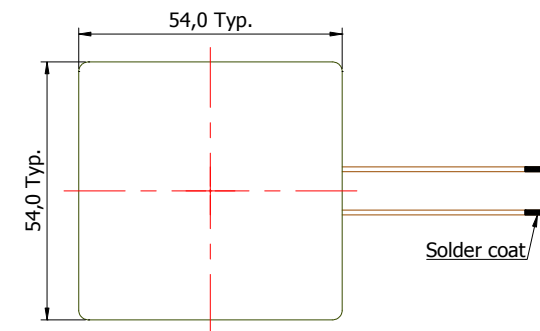
### Top view



### Side view



### Bottom view



## <Remark>

- Sheet material : FK2
- Sheet thickness : 0.40mm
- Wire Type : 0.1mm x 50
- Ts : 16

## <Electrical Characteristics>

- Ls [uH] : 15.8 typ @100kHz
- Rs [ohm] : 0.10 typ @100kHz
- Q : 98.0 typ @100kHz
- Rdc [ohm]: 0.09 typ