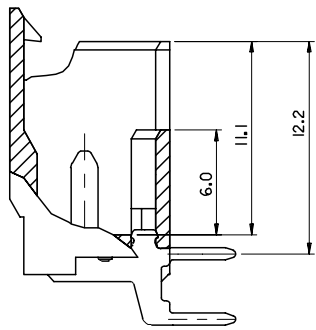
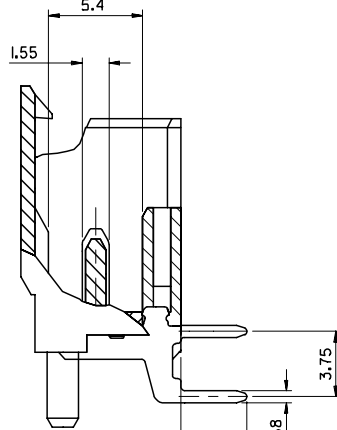


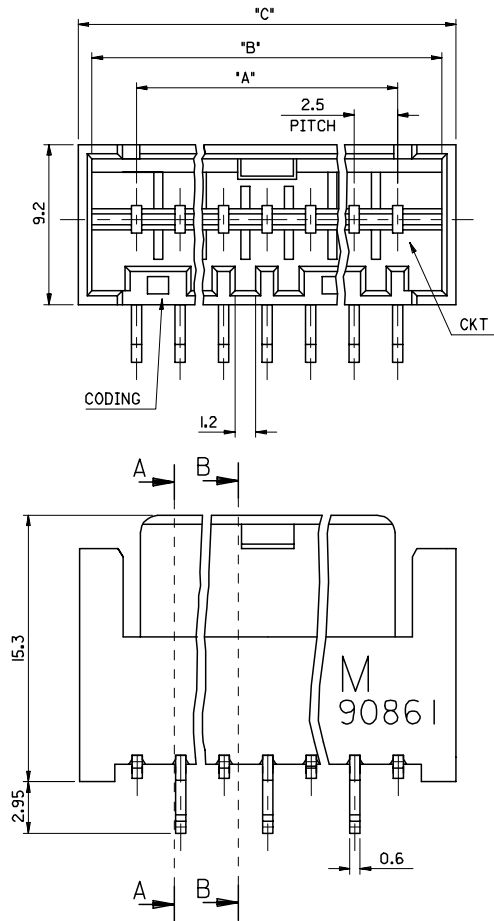
Ckt	A	B	C
3	5.0	10.1	11.7
4	7.5	12.6	14.2
5	10.0	15.1	16.7
6	12.5	17.6	19.2
7	15.0	20.1	21.7
8	17.5	22.6	24.2
9	20.0	25.1	26.7
10	22.5	27.6	29.2
11	25.0	30.1	31.7
12	27.5	32.6	34.2
13	30.0	35.1	36.7
14	32.5	37.6	39.2
15	35.0	40.1	41.7
16	37.5	42.6	44.2
17	40.0	45.1	46.7
18	42.5	47.6	49.2
19	45.0	50.1	51.7
20	47.5	52.6	54.2



A-A

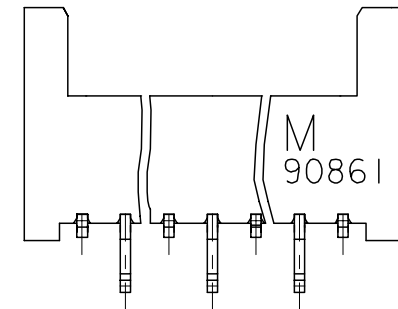


B-B

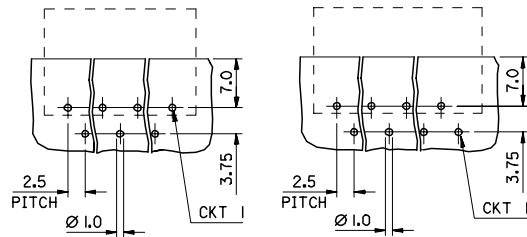


NOTES :

1. MATERIALS : HOUSING - POLYESTER (PBT), UL94 V-0
COLOR: SEE PART NUMBER CHARTS FOR COLOR
TERMINAL - BRASS
2. PLATING: TERMINAL - 5um TIN, OVER 2.5um NICKEL
3. PARTS PACKED AS PER ES-99039-0012
4. PRODUCT SPECIFICATION PS-99020-0040
5. RECOMMENDED PCB THICKNESS: 1.54MM



HOUSING WITHOUT LATCH (OPTIONAL)



ADDED NOTE 5 EC NO: E2008-0084 DRAWN BY: BRINES CHKD: 2007/08/30 APPR: EOMAHONY 2007/08/31	QUALITY SYMBOLS 	GENERAL TOLERANCES (UNLESS SPECIFIED)		DIMENSION STYLE MM ONLY	SCALE 5:1	DESIGN UNITS METRIC	THIRD ANGLE PROJECTION		
		4 PLACES ± --- ± ---	mm INCH	DRAWN BY EFOLAN	DATE 1997/04/07	TITLE RAST 2.5 MALE HEADER RIGHT ANGLE 2.5 PITCH			
		3 PLACES ± --- ± ---	± --- ± ---	CHECKED BY DATE	DATE	MOLEX INCORPORATED			
		2 PLACES ± 0.05 ± ---	± --- ± ---	APPROVED BY MWILHITE	DATE 1997/04/07	MATERIAL NO. DOCUMENT NO.	SDA-90861	SHEET NO. 1 OF 4	
1 PLACE ± 0.10 ± ---		ANGULAR ± 1/2°		SEE CHART					
DRAFT WHERE APPLICABLE MUST REMAIN WITHIN DIMENSIONS		THIS DRAWING CONTAINS INFORMATION THAT IS PROPRIETARY TO MOLEX INCORPORATED AND SHOULD NOT BE USED WITHOUT WRITTEN PERMISSION							

