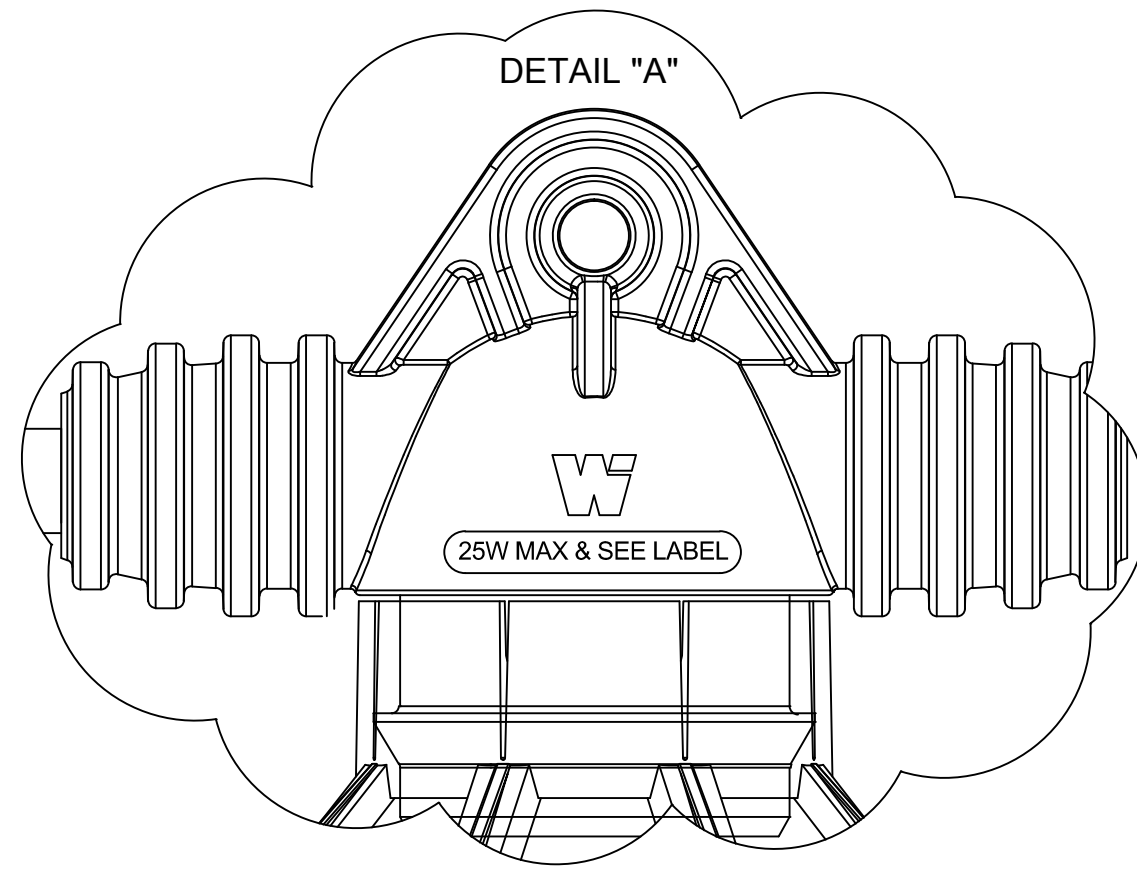
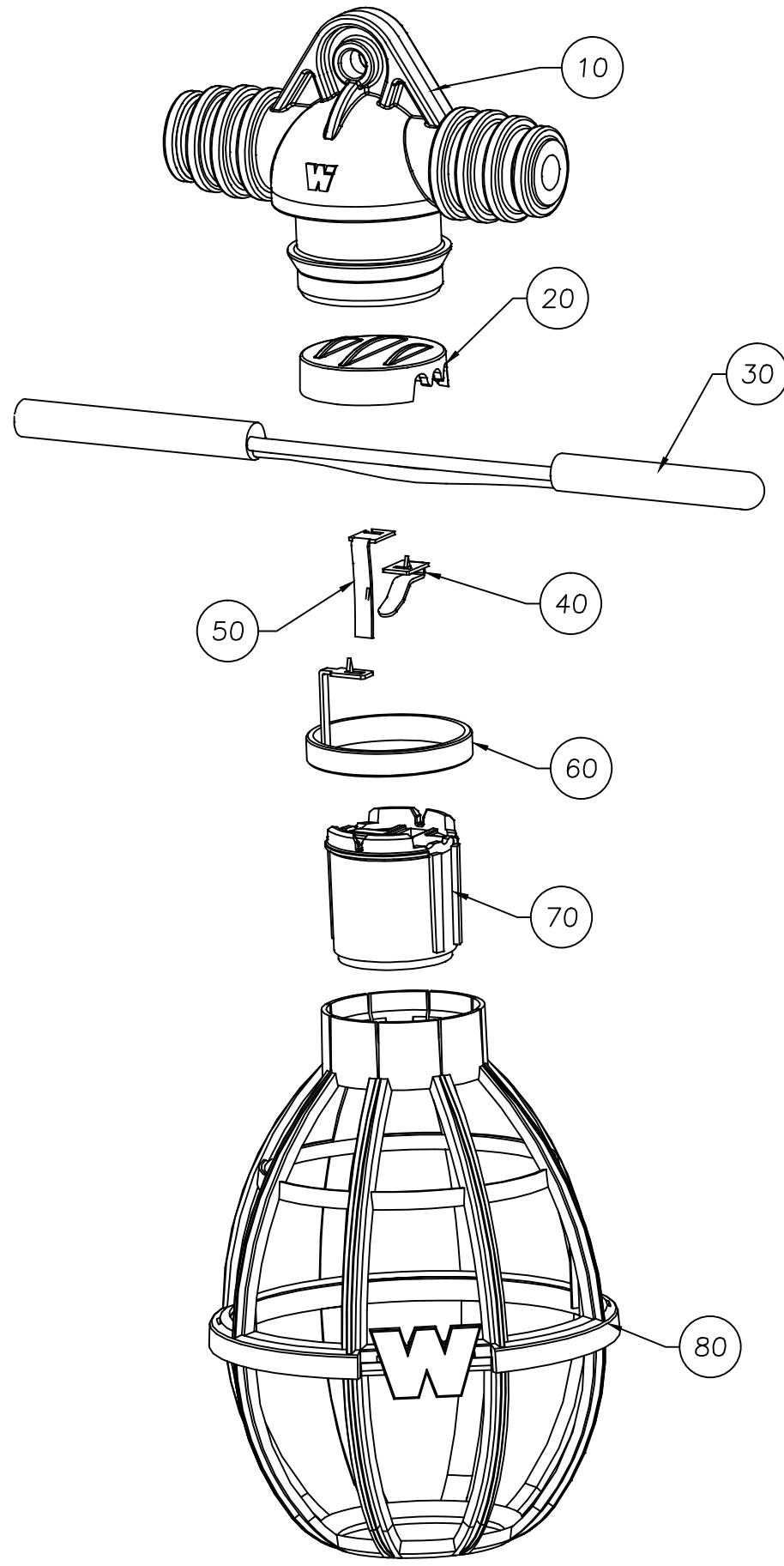
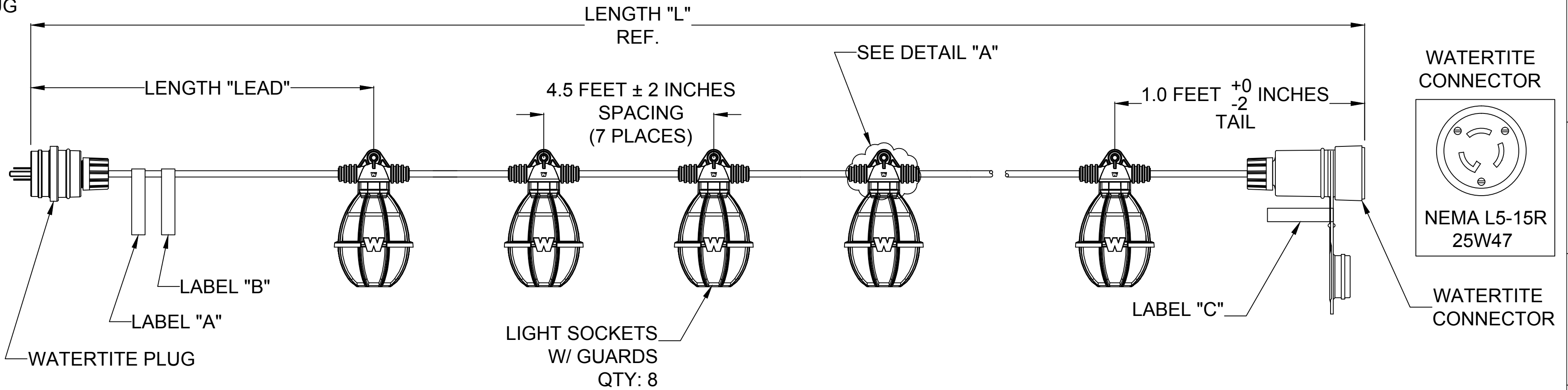
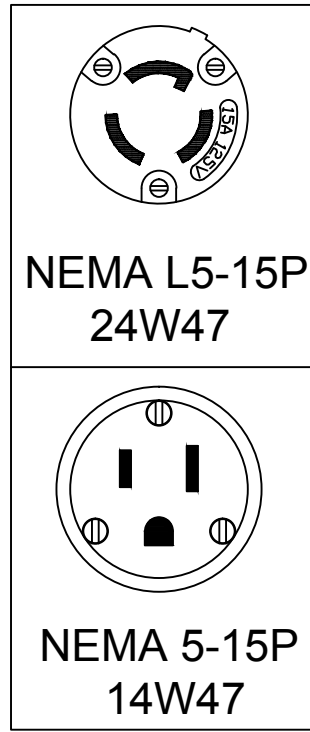


WATERTITE PLUG



DO NOT CONNECT OR DISCONNECT WHEN WET. REFER TO PRODUCT INSTRUCTION SHEET FOR APPROPRIATE LAMP TYPES. DO NOT USE GE SURVIVOR OR ROUGH SERVICE TYPE LAMPS.

DO NOT EXCEED MARKED SOCKET WATTAGE OR STRING MAX. CURRENT. ONLY USE SELF-BALLASTED LAMPS IF A SELF-BALLASTED LAMP TYPE IS IDENTIFIED ON THE TAG. FOR USE ONLY ON GFCI PROTECTED CIRCUITS IN ACCORDANCE WITH ARTICLE 590 OF THE NEC.

LABEL "A"

CAUTION-RISK OF SHOCK AND FIRE
 USE WITH LAMP BASE IN UP POSITION ONLY. DISCONNECT PLUG BEFORE RELAMPING OR SERVICING.
 CAUTION - TO REDUCE THE RISK OF ELECTRIC SHOCK AND FIRE, DO NOT EXCEED MARKED LAMPHOLDER WATTAGE OR STRING MAXIMUM WATTAGE INCLUDING ANY ADDITIONAL STRING LOADS.

Assembled in Mexico

TEMPORARY LIGHTING STRING
 CAT NO. 1301110052 DATE CODE J 131217
 125 VOLT. 200W MAX
 MAX PER SOCKET: 25W TYPE A INCAN. OR 15W CFL/LED

UL LISTED

Woodhead molex

LABEL "B"

COVER CORD CONNECTOR WHEN NOT IN USE

DO NOT EXCEED 15 AMPS TOTAL STRING CURRENT

Woodhead molex

LABEL "C"

ITEM	DESCRIPTION	MATERIAL	COLOR
10	OVERMOLD SOCKET	THERMOPLASTIC RUBBER	BLACK
20	CAP	NYLON	BLACK
30	CABLE #12-3 SJTOW RATED AT 300V 60°C	PVC/COPPER	YELLOW
40	HOT CONTACT CENTER	BRASS	PLAIN
50	NEUTRAL CONTACT	BRASS	PLAIN
60	GROUNDING RING	BRASS	PLAIN
70	SCREWSHELL	NYLON	BLACK
80	LAMP GUARD	POLYPROPYLENE	YELLOW

MATERIAL#	ENG#	LENGTH "LEAD"	LENGTH "L" REF.	PLUG	CONNECTOR
1301110052	5000-52	15 FEET ± 3 INCHES	47 FEET 6 INCHES	NEMA 5-15P	NEMA L5-15R
1301110053	5000-53	6 FEET ± 3 INCHES	38 FEET 6 INCHES	NEMA L5-15P	NEMA L5-15R

RELEASE DRAWING EC NO: IFCG2018-0156 DRWN: BPATTERS 2017/09/05 CHKD: --- APPR: HKNEELAN 2017/12/20	QUALITY SYMBOL ▽=0 ▽C=0	GENERAL TOLERANCES (UNLESS SPECIFIED) mm INCH 4 PLACES ±--- ±--- 3 PLACES ±--- ±--- 2 PLACES ±--- ±--- 1 PLACE ±--- ±---	DIMENSION STYLE INCH ONLY DRAWN BY DATE BPATTERS 2017/09/05 CHECKED BY DATE --- APPROVED BY DATE HKNEELAN 2017/12/20	SCALE NTS DESIGN UNITS INCH THIRD ANGLE PROJECTION	TITLE 5000 SERIES STRINGLIGHTS #12-3 SJTOW YELLOW CABLE WATERTITE PLUG & CONN.	
		DRAFT WHERE APPLICABLE MUST REMAIN WITHIN DIMENSIONS	MATERIAL NO. SEE TABLE SIZE C	MOLEX INCORPORATED DOCUMENT NO. SD-130111-052 SHEET NO. 1 OF 1		
			THIS DRAWING CONTAINS INFORMATION THAT IS PROPRIETARY TO MOLEX INCORPORATED AND SHOULD NOT BE USED WITHOUT WRITTEN PERMISSION			