

SS & SS-H Series

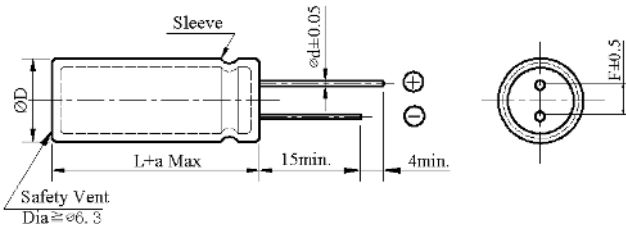
- Standard miniature series with 7mm height at 85 °C & 105 °C



SPECIFICATIONS

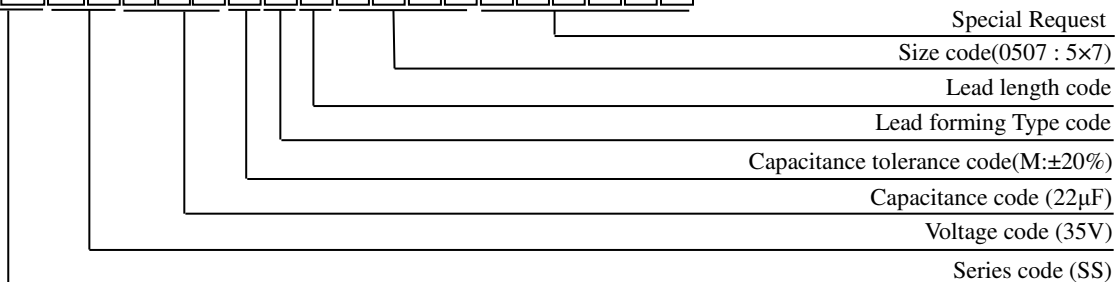
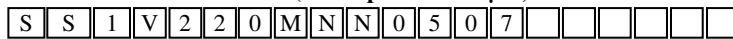
Item	Performance Characteristics	
Series	SS	SS-H
Category Temperature Range	-40 ~ +85 °C	-40 ~ +105 °C
Working Voltage Range	6.3 ~ 63 Vdc	
Capacitance Range	0.1 ~ 330 µF	
Capacitance Tolerance	±20% (at 25 °C and 120Hz)	
Dissipation Factor (tanδ) (at 25 °C, 120Hz)	Rated Voltage (V)	6.3 10 16 25 35 50 63
	tanδ(Max)	0.24 0.20 0.16 0.14 0.12 0.10 0.10
The above values should be increased by 0.02 for every additional 1000µF		
Leakage Current	I=0.01CV or 3µA whichever is greater I : Leakage current (µA) C : Rated capacitance (µF) V : Rated voltage (V) Impress the rated voltage for 2 minutes	
Low Temperature Characteristics Impedance Ratio(MAX)	Rated voltage (V)	6.3 10 16 25 35 50 63
	Z(-40 °C)/Z(+20 °C)	10 8 6 4 4 3 3
(at 120Hz)		
Endurance	The following requirements shall be satisfied when the capacitor are restored to 25 °C after the rated voltage applied for 1,000 hours at 85 °C(SS), or 1,000 hours at 105 °C(SS-H).	
	Capacitance change	≅ ±25% of the initial value
	Dissipation factor(tanδ)	≅ 200% of the specified value
Shelf Life	The following requirements shall be satisfied when the capacitor are restored to 25 °C after the rated voltage applied for 500 hours at 85 °C(SS), or 500 hours at 105 °C(SS-H) without voltage applied.	
	Capacitance change	≅ ±25% of the initial value
	Dissipation factor(tanδ)	≅ 200% of the specified value
Leakage current	≅ 200% of the specified value	
	Others	Conforms to JIS-C-5101-4 (1998), characteristic W

DIMENSIONS (mm)



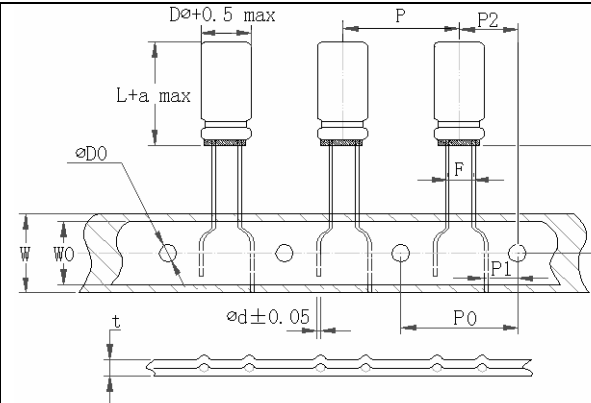
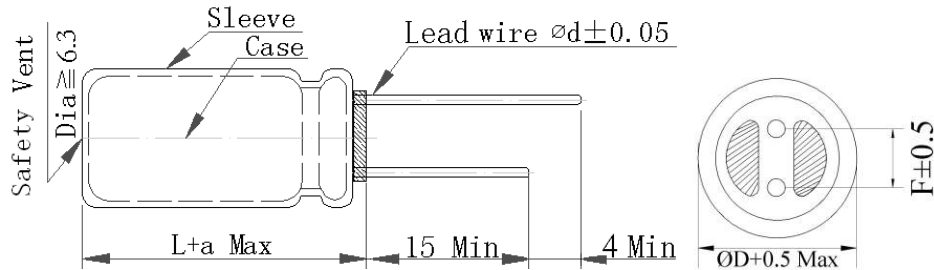
ΦD	4	5	6.3	8×7
ΦD	ΦD + 0.5 Max			
Φd	0.45	0.45	0.45	0.45
F	1.5	2.0	2.5	3.5
a	L + 1.0 Max			

PART NUMBER SYSTEM(Example : 35V 22µF)



Aluminum Electrolytic Capacitor

Customer	Digi-Key	SERIES	SS-H	NO.:	PUBLISH DATE	2022-03-25
-----------------	-----------------	---------------	-------------	-------------	---------------------	-------------------



Unit (mm):

P=12.7±1.0	H=18.5±0.5
P0=12.7±0.2	P1=3.85±0.5
P2=6.35±1.0	W=18.0±0.5
F=2.5+0.8/-0.2	W0=12.5MIN
ΦD0=4.0±0.2	Φd=0.5±0.05
t=0.7±0.2	

Original

FIG-1

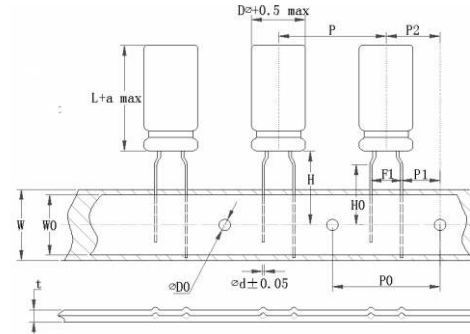
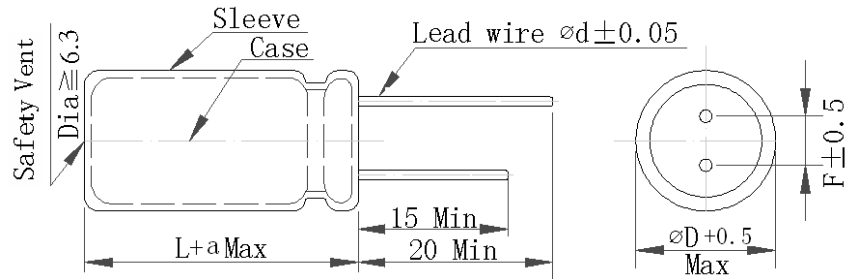
No.	CHINSAN Part No.	Customer Part No.	Capacitance (uF)	Tolerance On rated Capacitance (%)	Working Voltage (Vdc)	Surge Voltage (Vdc)	Category Temp Range (°C)	Tanδ @ 25°C (120Hz) (Max)	Leakage Current (uA) (2 min.)	Rated Ripple Current (mA rms) @ 105°C 120Hz	Rated Ripple Current (mA rms) @ 105°C 100kHz	ESR @25°C (mΩ max/ 120Hz)	Impedance @20°C (mΩ max/ 100kHz)	Endurance @ 105°C (Hours)	Dimensions (mm)					Appearance Drawing No
															D Φ	L	a	d	F	
1	SS1C101MP26307HU	/	100 μF	±20%	16 V	/	-40~+105	/	/	90	/	/	/	1000	6.3	7	/	/	2.5	FIG-1

※Test leakage current before testing dissipation factor and capacitance during the electric characteristic test.

REMARKS:	APPROVED BY	CHECKED BY	PREPARED BY
Sleeve Color: Black. Suffix U indicates convex rubber cover.	张洪斌	曾爱娥	梁慧妍

Aluminum Electrolytic Capacitor

Customer	Digi-Key	SERIES	SS-H	NO.:	PUBLISH DATE	2022-03-25
-----------------	-----------------	---------------	-------------	-------------	---------------------	-------------------



Unit(mm):

P=12.7±1.0	H0=16.0±0.5
P0=12.7±0.2	W =18.0±0.5
P1=3.85±0.5	W0=12.5MIN
P2=6.35±1.0	ΦD0=4.0±0.2
F1=5.0+0.8/-0.2	t=0.7±0.2
H=18.5±0.5	

Original

FIG-1

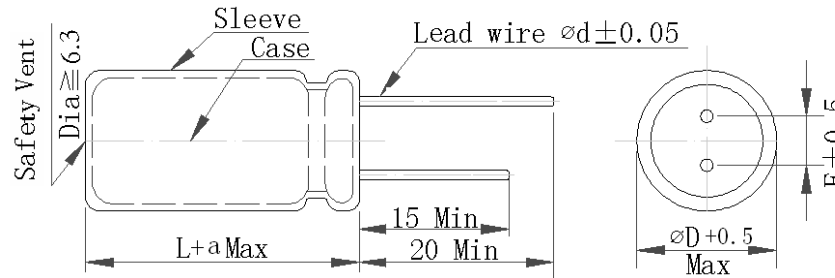
No.	CHINSAN Part No.	Customer Part No.	Capacitance (uF)	Tolerance On rated Capacitance (%)	Working Voltage (Vdc)	Surge Voltage (Vdc)	Category Temp Range (°C)	Tanδ @ 25°C (120Hz) (Max)	Leakage Current (uA) (2 min.)	Rated Ripple Current (mA rms) @ 105°C 120Hz	Rated Ripple Current (mA rms) @ 105°C 100kHz	ESR @25°C (mΩ max/ 120Hz)	Impedance @20°C (mΩ max/ 100kHz)	Endurance @ 105°C (Hours)	Dimensions (mm)					Appearance Drawing No
															D Φ	L	a	d	F1	
1	SS1E470MPN6307H	/	47 μF	±20%	25 V	/	-40~+105	/	/	61	/	/	/	1000	6.3	7	/	/	5	FIG-1

※Test leakage current before testing dissipation factor and capacitance during the electric characteristic test.

REMARKS:	APPROVED BY	CHECKED BY	PREPARED BY
Sleeve Color: Black.	张洪斌	曾爱娥	梁慧妍

Aluminum Electrolytic Capacitor

Customer	Digi-Key	SERIES	SS-H	NO.:	PUBLISH DATE	2022-03-25
-----------------	-----------------	---------------	-------------	-------------	---------------------	-------------------



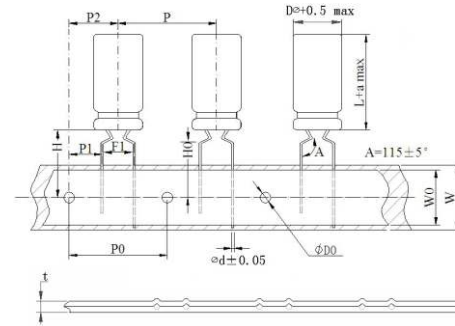
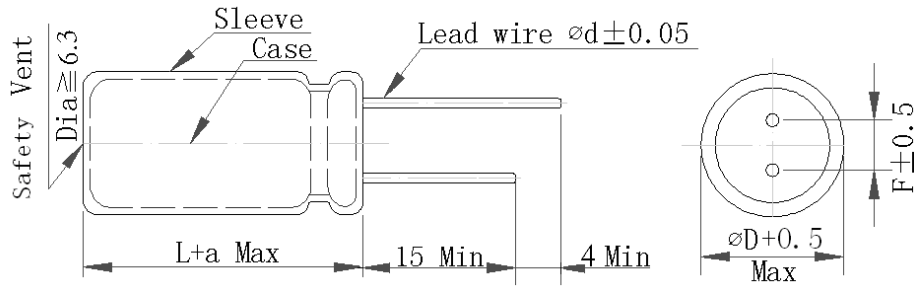
No.	CHINSAN Part No.	Customer Part No.	Capacitance (uF)	Tolerance On rated Capacitance (%)	Working Voltage (Vdc)	Surge Voltage (Vdc)	Category Temp Range (°C)	Tan δ @ 25°C (120Hz) (Max)	Leakage Current (uA) (2 min.)	Rated Ripple Current (mA rms) @ 105°C 120Hz	Rated Ripple Current (mA rms) @ 105°C 100kHz	ESR @25°C (m Ω max/ 120Hz)	Impedance @20°C (m Ω max/ 100kHz)	Endurance @ 105°C (Hours)	Dimensions (mm)					Appearance Drawing No
															D ϕ	L	a	d	F	
1	SS1V101MNN0809H	/	100 μ F	$\pm 20\%$	35 V	/	-40~+105	/	/	155	/	/	/	1000	8	9	/	/	3.5	---

※Test leakage current before testing dissipation factor and capacitance during the electric characteristic test.

REMARKS:	APPROVED BY	CHECKED BY	PREPARED BY
Sleeve Color: Black.	张洪斌	曾爱娥	梁慧妍

Aluminum Electrolytic Capacitor

Customer	Digi-Key	SERIES	SS-H	NO.:	PUBLISH DATE	2022-03-25
-----------------	-----------------	---------------	-------------	-------------	---------------------	-------------------



Unit(mm):

P=12.7±1.0	H0=16.0±0.5
P0=12.7±0.2	W =18.0±0.5
P1=3.85±0.5	W0=12.5MIN
P2=6.35±1.0	ΦD0=4.0±0.2
F1=5.0+0.8/-0.2	H=18.5±0.5
t=0.7±0.2	

Original

FIG-1

No.	CHINSAN Part No.	Customer Part No.	Capacitance (uF)	Tolerance On rated Capacitance (%)	Working Voltage (Vdc)	Surge Voltage (Vdc)	Category Temp Range (°C)	Tanδ @ 25°C (120Hz) (Max)	Leakage Current (uA) (2 min.)	Rated Ripple Current (mA rms) @ 105°C 120Hz	Rated Ripple Current (mA rms) @ 105°C 100kHz	ESR @25°C (mΩ max/ 120Hz)	Impedance @20°C (mΩ max/ 100kHz)	Endurance @ 105°C (Hours)	Dimensions (mm)					Appearance Drawing No
															D Φ	L	a	d	F1	
1	SS0J331MPN0807H	/	330 μF	±20%	6.3 V	/	-40~+105	/	/	130	/	/	/	1000	8	7	/	/	5	---

※Test leakage current before testing dissipation factor and capacitance during the electric characteristic test.

REMARKS:	APPROVED BY	CHECKED BY	PREPARED BY
Sleeve Color: Black.	张洪斌	曾爱娥	梁慧妍