

Fully Sealed Potentiometer Cermet or Conductive Plastic



FEATURES

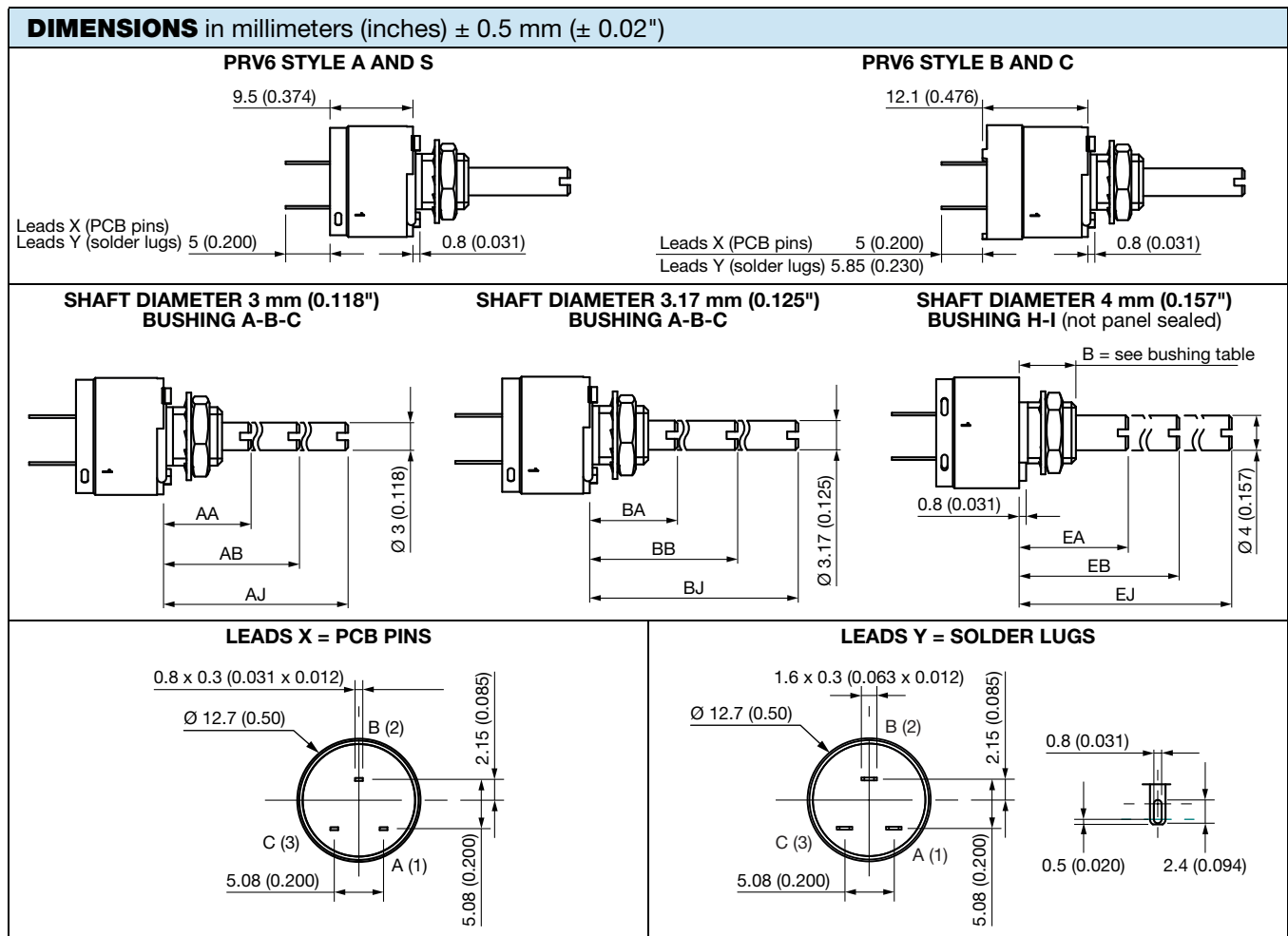
- PRV6S high power rating 1.5 W at 70 °C (cermet)
- PRV6A 0.75 W at 70 °C (conductive plastic)
- Tests according to CECC 41000 or IEC 60393-1
- Low cost
- Fully sealed and panel sealed
- Compatible RV6 (MIL R 94)
- Mechanical endurance 50 000 cycles
- Material categorization: for definitions of compliance please see www.vishay.com/doc?99912


RoHS
COMPLIANT

LINKS TO ADDITIONAL RESOURCES



| QUICK REFERENCE DATA | |
|-------------------------|---|
| Multiple module | No |
| Switch module | n/a |
| Detent module | n/a |
| Special electrical laws | A: linear, L: logarithmic, F: reverse logarithmic |
| Sealing level | IP 67 |
| Lifespan | 50K cycles |



| ELECTRICAL SPECIFICATIONS | | |
|--|------------------------|--------------------------|
| | PRV6S, PRV6B | PRV6A, PRV6C |
| Resistive element | Cermet | Conductive plastic |
| Electrical travel | 270° ± 15° | |
| Resistance range | Linear taper (A) | 20 Ω to 10 MΩ |
| | Non-linear taper (F-L) | 470 Ω to 1 MΩ |
| | | 1 kΩ to 1 MΩ |
| | | 470 Ω to 500 kΩ (± 20 %) |
| Taper | | |
| Tolerance | Standard | ± 20 % |
| | On request | ± 10 %, ± 5 % |
| | | ± 20 % |
| | | ± 10 % (1 kΩ to 100 kΩ) |
| Circuit diagram | | |
| Power rating at 70 °C | Linear | 1.5 W at 70 °C |
| | Other tapers | 0.75 W |
| | | 0.75 W at 70 °C |
| | | 0.4 W |
| Power rating chart | | |
| Temperature coefficient (typical) | ± 150 ppm/°C | ± 500 ppm/°C |
| Limiting element voltage | 350 V | |
| Contact resistance variation (CRV) | 2 % or 3 Ω | |
| End resistance (typical) | 1 Ω | |
| Dielectric strength (RMS) | 1750 V _{RMS} | |
| Insulation resistance (500 V _{DC}) | 10 ⁶ MΩ | |



| MECHANICAL SPECIFICATIONS | |
|---------------------------------------|---------------------|
| Mechanical travel | 300° ± 5° |
| Operating torque (Ncm (oz.in.)) | 0.5 to 2 (0.7 to 3) |
| End stop torque (max. Ncm (lb.in.)) | 35 (3) |
| Tightening torque (max. Ncm (lb.in.)) | 150 (13) |
| Weight (g) | 5 to 8 max. |

| ENVIRONMENTAL SPECIFICATIONS | | |
|------------------------------|---|-------------------|
| | PRV6S, PRV6B | PRV6A, PRV6C |
| Temperature range | -55 °C to +125 °C | -40 °C to +125 °C |
| Climatic category | 55/125/56 | 40/125/56 |
| Sealing | Fully sealed container; IP67 and panel sealed | |

| PERFORMANCES | | | | |
|-------------------------|---|---------------------------|------------------------------|---|
| TESTS | CONDITIONS | TYPICAL VALUES AND DRIFTS | | |
| | | $\Delta R_T/R_T$ (%) | $\Delta R_{1-2}/R_{1-2}$ (%) | OTHER |
| Electrical endurance | 1000 h at rated power 90°/30° - temperature 70 °C | ± 1 % | | CRV < 3 % Rn |
| Climatic sequence | Phase A dry heat 125 °C Phase B damp heat Phase C cold -55 °C Phase D damp heat 5 cycles | ± 0.5 % | ± 1 % | |
| Damp heat, steady state | 56 days | ± 0.5 % | ± 1 % | Insulation resistance: > 10 ⁴ MΩ |
| Change of temperature | 5 cycles, -55 °C to +125 °C | ± 0.5 % | | |
| Mechanical endurance | 50 000 cycles | ± 3 % | | CRV < 2 % Rn |
| Shock | 50 g at 11 ms 3 successive shocks in 3 directions | ± 0.1 % | ± 0.2 % | |
| Vibration | 10 Hz to 55 Hz 0.75 mm or 10 g during 6 h | ± 0.1 % | ± 0.2 % | |

Note

- Nothing stated herein shall be construed as a guarantee of quality or durability

| STANDARD RESISTANCE ELEMENT DATA | | | | | | |
|----------------------------------|-----------------------------------|----------------------|--------------------|---------------------------------------|----------------------|--------------------|
| STANDARD RESISTANCE VALUES | PRV6S AND PRV6B WITH LINEAR TAPER | | | PRV6S AND PRV6B WITH NON-LINEAR TAPER | | |
| | MAX. POWER AT 70 °C | MAX. WORKING VOLTAGE | MAX. WIPER CURRENT | MAX. POWER AT 70 °C | MAX. WORKING VOLTAGE | MAX. WIPER CURRENT |
| Ω | W | V | mA | W | V | mA |
| 20 | 1.5 | 5.48 | 274 | | | |
| 50 | 1.5 | 8.66 | 173 | | | |
| 100 | 1.5 | 12.2 | 122 | | | |
| 200 | 1.5 | 17.3 | 87 | | | |
| 500 | 1.5 | 27.4 | 55 | 0.75 | 19.4 | 39 |
| 1K | 1.5 | 38.7 | 38.7 | 0.75 | 27.3 | 27.4 |
| 2K | 1.5 | 54.8 | 27.4 | 0.75 | 38.2 | 19.3 |
| 5K | 1.5 | 86.6 | 17.3 | 0.75 | 61.2 | 12.2 |
| 10K | 1.5 | 122.5 | 12.2 | 0.75 | 87 | 8.7 |
| 20K | 1.5 | 173 | 8.26 | 0.75 | 122 | 6.1 |
| 50K | 1.5 | 274 | 5.65 | 0.75 | 194 | 3.9 |
| 100K | 1.22 | 350 | 3.5 | 0.75 | 273 | 2.74 |
| 220K | 0.61 | 350 | 1.75 | 0.61 | 350 | 1.75 |
| 500K | 0.25 | 350 | 0.70 | 0.25 | 350 | 0.7 |
| 1M | 0.12 | 350 | 0.35 | 0.12 | 350 | 0.35 |
| 2M | 0.06 | 350 | 0.17 | | | |
| 5M | 0.025 | 350 | 0.070 | | | |
| 10M | 0.012 | 350 | 0.035 | | | |

MARKING

- Vishay trademark
- Part number
- Manufacturing date code
- Terminal: 1

PACKAGING

- Box of 15, 20, 25, or 50 pieces, code B12, B15, B17, or B25, depending of body and shaft construction

Hardware: nuts, washer, and O-ring are separately supplied (not mounted on the potentiometer), in a small bag placed in the packaging.

| SHAFT | BUSHING | PACKAGING | |
|-------|---------------|--|-------------|
| | | STYLE: S, A | STYLE: B, C |
| AA | A, B, C, D, E | B25 | B17 |
| AB | | B25 | B17 |
| AJ | | B25 | B12 |
| BA | | B25 | B17 |
| BB | | B25 | B17 |
| BG | | B25 | B15 |
| BJ | | B25 | B12 |
| EA | H, I, J, K, S | B25 | B17 |
| EB | | B25 | B17 |
| EJ | | B25 | B12 |
| AP | All | Will be defined function of the shaft length | |

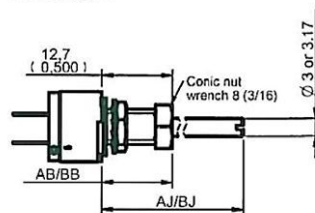
OPTIONS
SPECIAL FEATURES

Panel sealing

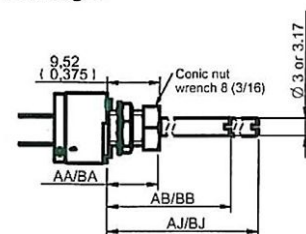
Except for dia. 4 mm shaft, an O.ring is supplied with the potentiometer. This O.ring should be placed into the groove of the body and ensures the panel sealing.
For dia. 4 mm shaft please see note "P" in ordering information.

Shaft locking

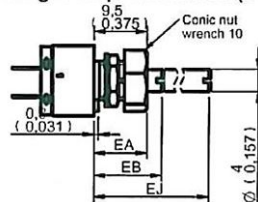
Bushing E



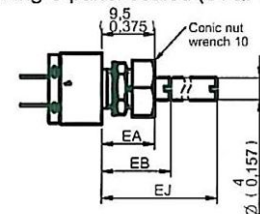
Bushing D



Bushing S no panel sealed (61QH)



Bushing S panel sealed (61QPH)



| OPTIONS | |
|------------------|--|
| SPECIAL FEATURES | |
| Shafts | Shaft lengths are measured from the mounting face to the free end of the shaft. Special shafts are available if the customer supplies a drawing. The shaft slot is aligned to the wiper within $\pm 10^\circ$. |
| Locating peg | <p>Except for dia. 4 mm shaft, the potentiometers are delivered with 2 opposite locating pegs orientated at 45°. These 2 pegs can be easily broken-off by the customer. On request, the orientation of the pegs can be at 30° instead of 45°.</p> <div style="display: flex; justify-content: space-around;"> <div style="text-align: center;"> <p>Locating Peg A Bushing: A-B-C-D-E</p> </div> <div style="text-align: center;"> <p>Locating Peg R Bushing: H-I-S (locking shaft, not panel sealed)</p> </div> </div> <div style="display: flex; justify-content: space-around; margin-top: 10px;"> <div style="text-align: center;"> <p>Locating Peg L Bushing: A-B-C-D-E</p> </div> <div style="text-align: center;"> <p>Without Locating Peg Panel sealed bushing:</p> </div> </div> |
| Ground pin | On request, ground pin can be added to PRV6 model, to connect body to ground |

| LOCATING PEG CODE | | | | | |
|-------------------|----------|---|---|---|------------------|
| BUSHING | OLD CODE | A | L | R | 0 |
| A | 6 | x | x | | x ⁽¹⁾ |
| B | 61 | x | x | | x ⁽¹⁾ |
| C | 62 | x | x | | x ⁽¹⁾ |
| D | 61H | x | x | | x ⁽¹⁾ |
| E | 62H | x | x | | x ⁽¹⁾ |
| H | 6Q | | | x | |
| I | 61Q | | | x | |
| J | 6QP | | | | x |
| K | 61QP | | | | x |
| S | 61QH | | | x | |
| S | 61QPH | | | | x |

Note
⁽¹⁾ Not standard, special manufacturing



| STANDARD COMBINATION OF SHAFT STYLES AND BUSHING | | | | | | | | | | | |
|--|------------------|--|----|----|----|----|----|----|----|----|----|
| BUSHING | LOCATING PEG | STANDARD COMBINATION OF SHAFT STYLES AND BUSHING | | | | | | | | | |
| A | A | AA | AB | AJ | BA | BB | BG | BJ | | | |
| | L | AA | AB | AJ | BA | BB | BG | BJ | | | |
| | 0 ⁽¹⁾ | AA | AB | AJ | BA | BB | BG | BJ | | | |
| B | A | AA | AB | AJ | BA | BB | BG | BJ | | | |
| | L | AA | AB | AJ | BA | BB | BG | BJ | | | |
| | 0 ⁽¹⁾ | AA | AB | AJ | BA | BB | BG | BJ | | | |
| C | A | | AB | AJ | | BB | BG | BJ | | | |
| | L | | AB | AJ | | BB | BG | BJ | | | |
| | 0 ⁽¹⁾ | | AB | AJ | | BB | BG | BJ | | | |
| D | A | AA | AB | AJ | BA | BB | BG | BJ | | | |
| | L | AA | AB | AJ | BA | BB | BG | BJ | | | |
| | 0 ⁽¹⁾ | AA | AB | AJ | BA | BB | BG | BJ | | | |
| E | A | | AB | AJ | | BB | BG | BJ | | | |
| | L | | AB | AJ | | BB | BG | BJ | | | |
| | 0 ⁽¹⁾ | | AB | AJ | | BB | BG | BJ | | | |
| H | R | | | | | | | | EA | EB | EJ |
| I | R | | | | | | | | EA | EB | EJ |
| J | 0 | | | | | | | | EA | EB | EJ |
| K | 0 | | | | | | | | EA | EB | EJ |
| S (QH) | R | | | | | | | | EA | EB | EJ |
| S (QPH) | 0 | | | | | | | | EA | EB | EJ |

Note

⁽¹⁾ Special manufacturing, not standard

| ORDERING INFORMATION (part number) | | | | | | | | | | | | | | | | | |
|------------------------------------|---|---------|-----|-----------|---|-------|--------------|-----------|--|---|---|---|---|---|---|---|---|
| P | R | V | 6 | B | B | A | B | G | X | B | 1 | 7 | 5 | 0 | 2 | M | A |
| MODEL | STYLE | BUSHING | | | LOCATING PEG | SHAFT | | | LEADS | PACKAGING | RESISTANCE CODE / TOLERANCE / TAPER OR SPECIAL | | | | | | |
| PRV6 | S = standard A = audio B = body length C = audio and body length | ∅ | L | Old codes | 0 = without A = 45° L = 30° R = 180° round (see locating peg table above) | ∅ | L | Old codes | X = PCB pins (old code W) Y = solder lugs | Depending of body and shaft construction: B12 = box 15 pcs B15 = box 20 pcs B17 = box 25 pcs B25 = box 50 pcs | Resistance: from 200 = 20 Ω to 106 = 10 MΩ for linear cermet Tolerance: standard M = 20 % on request K = 10 % or J = 5 % Taper: A, L, F or special code given by Vishay | | | | | | |
| | | A | 1/4 | 1/4 | 6 | AA | 3 | 9.5 | K | | | | | | | | |
| | | B | 1/4 | 3/8 | 61 | AB | 3 | 12.5 | M | | | | | | | | |
| | | C | 1/4 | 1/2 | 62 | AJ | 3 | 22 | R | | | | | | | | |
| | | D | 1/4 | 3/8 | 61H | BA | 1/8 | 9.5 | CK | | | | | | | | |
| | | E | 1/4 | 1/2 | 62H | BB | 1/8 | 12.5 | CM | | | | | | | | |
| | | H | 7 | 6.5 | 6Q | BG | 1/8 | 16 | CD | | | | | | | | |
| | | I | 7 | 9.5 | 61Q | BJ | 1/8 | 22 | CR | | | | | | | | |
| | | J | 7 | 6.5 | 6QP | EA | 4 | 9.5 | E | | | | | | | | |
| | | K | 7 | 9.5 | 61QP | EB | 4 | 12.5 | F | | | | | | | | |
| | | S | 7 | 9.5 | 61QH | EJ | 4 | 22 | G | | | | | | | | |
| | | S | 7 | 9.5 | 61QPH | AP | custom shaft | | | | | | | | | | |
| all are slotted | | | | | | | | | | | | | | | | | |

| PART NUMBER DESCRIPTION (for information only using old codes) | | | | | | | | | | | | | |
|--|---------|-------|---------|-------|-------|-----------|-------|---------|-----------|---------|-------|---------|-------------|
| PRV | S | 61 | W | CD | 5K | 20 % | A | | | BO | | | e3 |
| MODEL | BUSHING | LEADS | SPECIAL | SHAFT | VALUE | TOLERANCE | TAPER | SPECIAL | PACKAGING | SPECIAL | AP N° | SPECIAL | LEAD FINISH |

| RELATED DOCUMENTS | |
|---|--|
| APPLICATION NOTES | |
| Potentiometers and Trimmers | www.vishay.com/doc?51001 |
| Guidelines for Vishay Sfernice Resistive and Inductive Components | www.vishay.com/doc?52029 |



Disclaimer

ALL PRODUCT, PRODUCT SPECIFICATIONS AND DATA ARE SUBJECT TO CHANGE WITHOUT NOTICE TO IMPROVE RELIABILITY, FUNCTION OR DESIGN OR OTHERWISE.

Vishay Intertechnology, Inc., its affiliates, agents, and employees, and all persons acting on its or their behalf (collectively, "Vishay"), disclaim any and all liability for any errors, inaccuracies or incompleteness contained in any datasheet or in any other disclosure relating to any product.

Vishay makes no warranty, representation or guarantee regarding the suitability of the products for any particular purpose or the continuing production of any product. To the maximum extent permitted by applicable law, Vishay disclaims (i) any and all liability arising out of the application or use of any product, (ii) any and all liability, including without limitation special, consequential or incidental damages, and (iii) any and all implied warranties, including warranties of fitness for particular purpose, non-infringement and merchantability.

Statements regarding the suitability of products for certain types of applications are based on Vishay's knowledge of typical requirements that are often placed on Vishay products in generic applications. Such statements are not binding statements about the suitability of products for a particular application. It is the customer's responsibility to validate that a particular product with the properties described in the product specification is suitable for use in a particular application. Parameters provided in datasheets and / or specifications may vary in different applications and performance may vary over time. All operating parameters, including typical parameters, must be validated for each customer application by the customer's technical experts. Product specifications do not expand or otherwise modify Vishay's terms and conditions of purchase, including but not limited to the warranty expressed therein.

Hyperlinks included in this datasheet may direct users to third-party websites. These links are provided as a convenience and for informational purposes only. Inclusion of these hyperlinks does not constitute an endorsement or an approval by Vishay of any of the products, services or opinions of the corporation, organization or individual associated with the third-party website. Vishay disclaims any and all liability and bears no responsibility for the accuracy, legality or content of the third-party website or for that of subsequent links.

Except as expressly indicated in writing, Vishay products are not designed for use in medical, life-saving, or life-sustaining applications or for any other application in which the failure of the Vishay product could result in personal injury or death. Customers using or selling Vishay products not expressly indicated for use in such applications do so at their own risk. Please contact authorized Vishay personnel to obtain written terms and conditions regarding products designed for such applications.

No license, express or implied, by estoppel or otherwise, to any intellectual property rights is granted by this document or by any conduct of Vishay. Product names and markings noted herein may be trademarks of their respective owners.