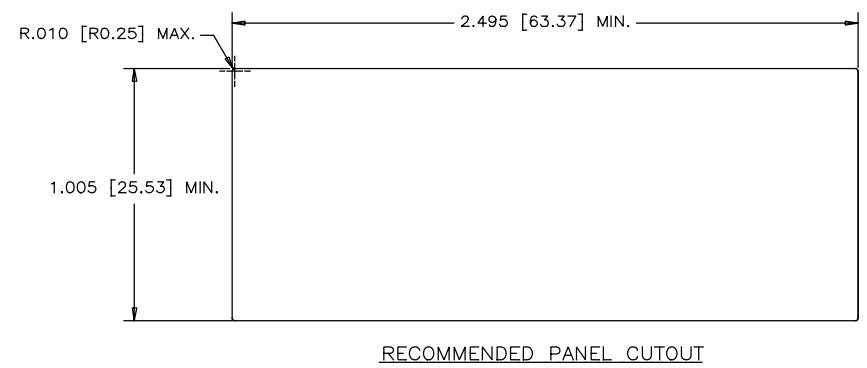
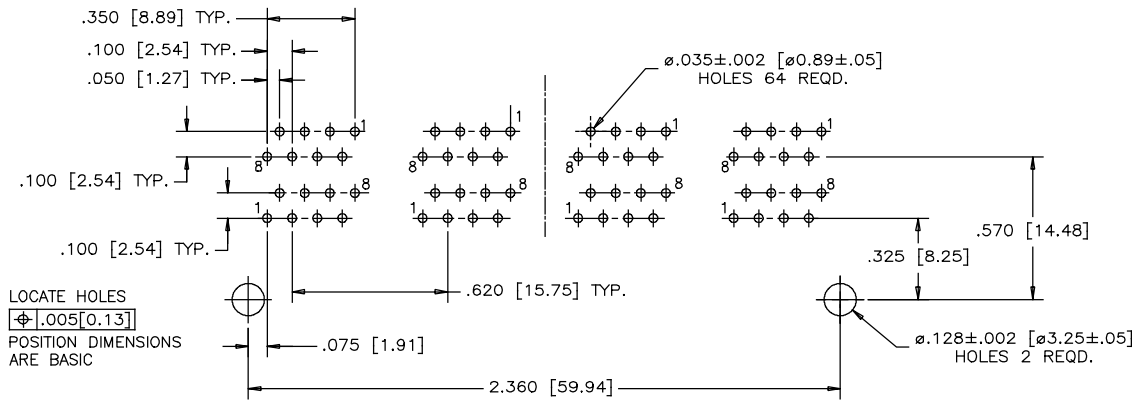
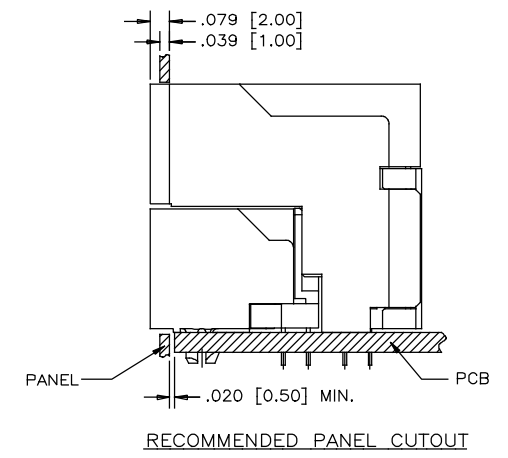
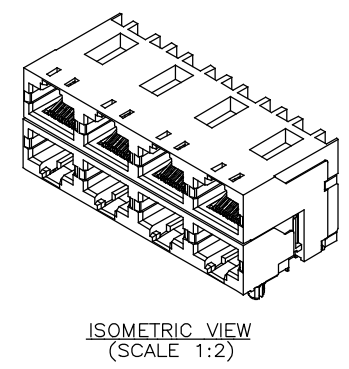
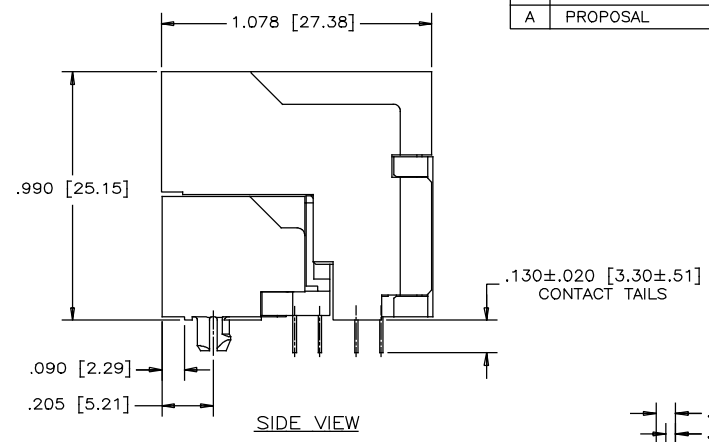
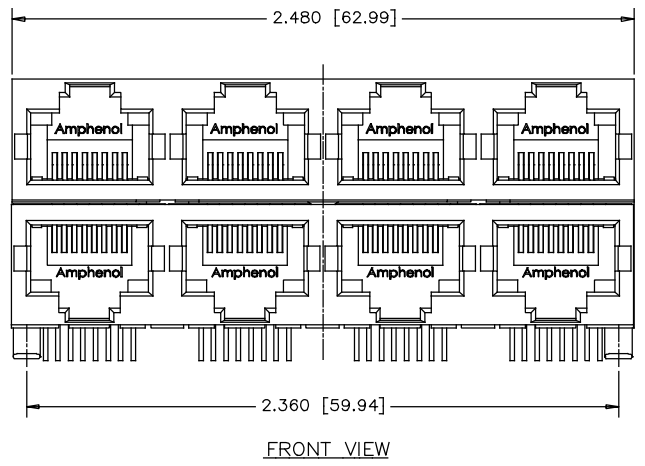


REVISIONS			
REV	DESCRIPTION, ECN, EAR NO.	DATE	APP'D
A	PROPOSAL	SEP23/19	L.CHAN



LOCATE HOLES
 $\phi .005 [0.13]$
 POSITION DIMENSIONS
 ARE BASIC

- NOTES:**
- MATERIALS:**
 - CONTACTS: PHOSPHOR BRONZE, SELECTIVE GOLD PLATING ON MATING SURFACES. SEE PART NO. FOR THICKNESS. 50 MICROINCHES MIN. NICKEL OVERALL. 100 MICROINCHES MIN. MATTE TIN OR GOLD FLASH ON TAILS.
 - HOUSING: ENGINEERING PLASTIC. FLAMMABILITY RATING UL 94V-0, BLACK
 - RECOMMENDED SOLDERING TEMPERATURE:**
 - WAVE SOLDERING PEAKED AT 260°C FOR 10 SEC MAXIMUM
- AMPHENOL PART NO.: RJSAE-X080-A8
- GOLD PLATING OPTION:
 D=6u" GOLD PLATING
 G=15u" GOLD PLATING
 J=30u" GOLD PLATING
 5=50u" GOLD PLATING



THIS DOCUMENT CONTAINS PROPRIETARY INFORMATION AND SUCH INFORMATION MAY NOT BE DISCLOSED TO OTHERS FOR ANY PURPOSE OR USED FOR MANUFACTURING PURPOSES WITHOUT WRITTEN PERMISSION FROM AMPHENOL CANADA CORP.

UNLESS SPECIFIED OTHERWISE	DRAWN RONNIE.C	SEP23/19	Amphenol Canada Corp. Commercial Products
PRIMARY UNITS INCHES	CHECKED KELVIN.T	SEP23/19	
SECONDARY MILLIMETERS	M.E. APP'D		STACKABLE 2x4 PORT MODULAR JACK, 8 POSITION, 8 CONTACTS, WITHOUT LED, 0.130INCH CONTACT TAILS, UNSHIELDED - RoHS COMPLIANT
REFERENCE IN PARENTHESES	Q.A. APP'D		
GENERAL TOLERANCES	DWG APP'D		DWG NO. P-RJSAE-X080-A8
1 DECIMAL PLACE	ENG. REL NO.		
2 DECIMAL PLACES	REF.		REV A
3 DECIMAL PLACES ±.015			
ANGULAR DEGREES ±1.5°	THIRD ANGLE PROJECTION	DO NOT SCALE DRAWING	CODE ID NO. 03554 DWG SIZE X SCALE 1:1 SHEET 1 OF 1