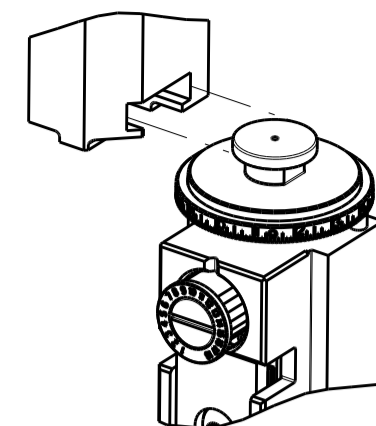


| PART NUMBER | REVISION | DESCRIPTION                      | FEED TYPE  |
|-------------|----------|----------------------------------|------------|
| 2266624-1   | B        | FINE CRIMP HEIGHT ADJUST         | MECHANICAL |
| 2266624-2   | B        | FINE CRIMP HEIGHT ADJUST         | PNEUMATIC  |
| 7-2266624-1 | B        | MECHANICAL AND CRIMP TOOLING KIT | MECHANICAL |
| 7-2266624-2 | B        | PNEUMATIC AND CRIMP TOOLING KIT  | PNEUMATIC  |
| 7-2266624-7 | A        | CRIMP TOOLING KIT                | -          |

ATLANTIC VERSION TERMINATOR INTERFACE ADAPTER



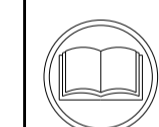
| APPLICATOR DATA |                |      |
|-----------------|----------------|------|
| CRIMP           | SIZE           | TYPE |
| WIRE            | 1.50 mm [.059] | F    |
| INSUL           | 2.02 mm [.080] | F    |

APPLICATOR INSTRUCTIONS 408-35042

TERMINAL DATA: Delphi TERMINAL Delphi CRIMP SPECIFICATION

|                                    |                                    |                               |                 |
|------------------------------------|------------------------------------|-------------------------------|-----------------|
| TERMINAL NAME: Terminal            |                                    |                               |                 |
| WIRE STRIP LENGTH                  |                                    | INSULATION DIAMETER RANGE     |                 |
| 4.50-5.26 mm [1.77-.207 IN]        |                                    | Ø1.30-1.80 mm [0.051-.071 IN] |                 |
| TERMINAL APPLICATION SPECIFICATION | 12064971 Record-N.13577 Rev.-No.00 |                               |                 |
| TERMINALS APPLIED                  |                                    |                               |                 |
| TE TERMINAL                        | Delphi TERMINAL                    | TE TERMINAL                   | Delphi TERMINAL |
| 1572101-1                          | 12064971                           | 2133628-1                     | 12064971        |
| 1378535-1                          | 12064971                           |                               |                 |

| WIRE SIZE | CRIMP HEIGHT mm [INCH]        | CRIMP HEIGHT REFERENCE SETTING |
|-----------|-------------------------------|--------------------------------|
| 0.60mm2   | 1.10 +/- 0.03 [0.43 +/- .001] | 6.3                            |
| 0.50mm2   | 1.05 +/- 0.03 [0.41 +/- .001] | 6.6                            |
| 0.35mm2   | 0.95 +/- 0.03 [0.37 +/- .001] | 7.7                            |



- 1 RECOMMENDED SPARE PARTS
- 2 REFER TO SUPPLIED INSTRUCTION SHEET FOR CLEANING, LUBRICATION AND STORAGE OF APPLICATOR.
- 3 APPLY PART NUMBER 2-23419-6 LOCTITE TO THREADS OF ITEM 242.
- 4 CRIMP HEIGHT REFERENCE SETTING WAS THE SETTING USED WHEN THE APPLICATOR WAS QUALIFIED AT THE FACTORY. ADJUSTMENT MAY BE NECESSARY WHEN RUNNING APPLICATOR IN THE FIELD.
- 5. UNLESS SPECIFIED OTHERWISE TORQUE VALUES SHALL BE USED PER DOCUMENT, 101-35000.

**\*WARNING**  
ON INSTALLATION, SET WIRE DISC TO CRIMP HEIGHT REFERENCE SETTING FOR LARGEST WIRE SIZE. CRIMP HEIGHT REFERENCE SETTINGS GREATER THAN THE VALUE SHOWN MAY CAUSE DAMAGE TO THE CRIMP TOOLING, REFER TO THE INSTRUCTION SHEET FOR PROPER SETUP AND ADJUSTMENTS.

**ATLANTIC VERSION**  
Shown on sheets 1 of 4 & 2 of 4  
(Pacific version shown on sheets 3 of 4 & 4 of 4)

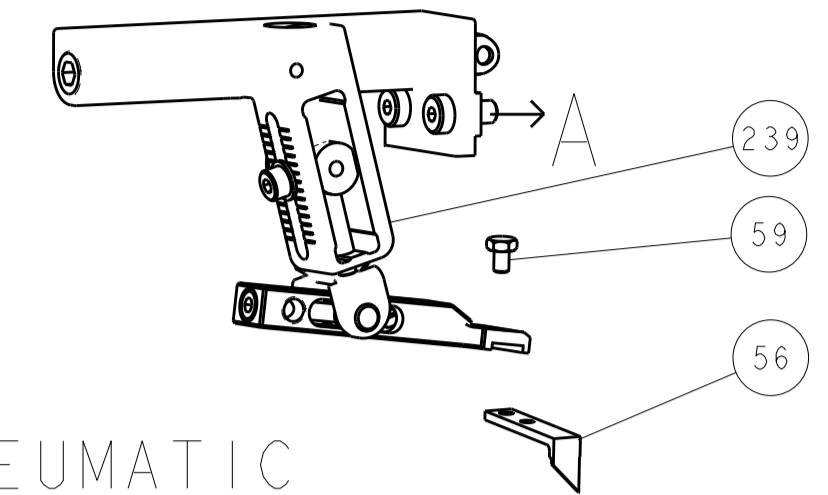
| LOC | DIST | REVISIONS |               |           |       |
|-----|------|-----------|---------------|-----------|-------|
| A   | 66   | REV       | DATE          | BY        | APPD  |
|     |      | A         | RELEASED      | 28JAN2015 | BW GB |
|     |      | B         | ECR-20-006056 | 25APR2020 | FZ TE |

|   |     |     |     |     |             |                                     |                               |         |
|---|-----|-----|-----|-----|-------------|-------------------------------------|-------------------------------|---------|
| - | 1   | -   | 1   | -   | 2119641-1   | FEED CAM, AIR FEED                  | 248                           |         |
| - | 1   | 1   | 1   | 1   | 2119082-5   | CAM, SNAIL, INSULATION ADJUSTMENT   | 244                           |         |
| - | 1   | 1   | 1   | 1   | 2079764-1   | WASHER, WAVE SPRING, CREST-TO-CREST | 243                           |         |
| - | 1   | 1   | 1   | 1   | 2119083-1   | RETAINER, INSULATION DIAL           | 242                           |         |
| - | 1   | 1   | 1   | 1   | 7-18023-7   | SCR, SKT HD CAP M3 X 4.0            | 241                           |         |
| - | -   | 1   | -   | 1   | 2119580-1   | MECHANICAL FEED ASSEMBLY            | 239                           |         |
| - | 1   | -   | 1   | -   | 2844940-1   | AIR FEED MODULE                     | 238                           |         |
| - | REF | REF | REF | REF | 994970-2    | COUNTER, MAGNETIC                   | 164                           |         |
| - | 1   | 1   | 1   | 1   | 2844908-1   | SCREW, LOCKING                      | 99                            |         |
| - | 1   | 1   | 1   | 1   | 2844907-1   | POST, LOCKING                       | 98                            |         |
| - | 1   | 1   | 1   | 1   | 455888-7    | SPACER, CRIMPER                     | 82                            |         |
| - | 1   | 1   | 1   | 1   | 1803607-3   | DOCUMENTATION PACKAGE               | 71                            |         |
| - | 1   | 1   | 1   | 1   | 2119791-9   | DEPRESSOR, WIRE                     | 70                            |         |
| - | 1   | 1   | 1   | 1   | 2119740-1   | TAG, IDENTIFICATION                 | 67                            |         |
| - | 2   | 2   | 2   | 2   | 2168078-1   | SCREW, DRIVE, RH, RoHS, 2 x .188    | 66                            |         |
| - | 1   | 1   | 1   | 1   | 2168083-2   | SCR, SKT HD CAP, RoHS, M4 X 8.0     | 60                            |         |
| - | 1   | 1   | 1   | 1   | 5-18022-5   | SCR, HEX HD CAP, M4 X 6.0           | 59                            |         |
| - | 1   | 1   | 1   | 1   | 1338685-1   | PAWL, FEED                          | 56                            |         |
| - | 4   | 4   | 4   | 4   | 2168083-3   | SCR, SKT HD CAP, RoHS, M4 X 12.0    | 54                            |         |
| - | 2   | 2   | 2   | 2   | 1-2168083-0 | SCR, SKT HD CAP, RoHS, M4 X 10      | 53                            |         |
| - | 1   | 1   | 1   | 1   | 5018030-1   | NUT, HEX, REG, RoHS, M3             | 52                            |         |
| - | 1   | 1   | 1   | 1   | 811242-5    | BUMPER, HOLD DOWN                   | 51                            |         |
| - | 1   | 1   | 1   | 1   | 690753-2    | SPACER, TONKER                      | 50                            |         |
| - | 1   | 2   | 1   | 2   | 18023-9     | SCR, SKT HD CAP M4 X 6.0            | 49                            |         |
| - | -   | 1   | -   | 1   | 2119652-1   | FEED CAM, PRE FEED                  | 48                            |         |
| - | -   | 1   | -   | 1   | 2119653-1   | FEED CAM, POST FEED                 | 47                            |         |
| - | 1   | 1   | 1   | 1   | 1803583-9   | APPLICATOR BASIC ASSEMBLY, SF       | 46                            |         |
| - | 1   | 1   | 1   | 1   | 1803515-1   | RAM ASSEMBLY, SF ATLANTIC           | 44                            |         |
| - | 1   | 1   | 1   | 1   | 1803602-1   | SCR, BHSC, RoHS (M8 X 25)           | 41                            |         |
| - | 1   | 1   | 1   | 1   | 1-1752356-9 | SUPPORT, TERMINAL                   | 34                            |         |
| - | 2   | 2   | 2   | 2   | 2079383-5   | SCR, BHSC, RoHS (M4 X 20)           | 33                            |         |
| - | 2   | 2   | 2   | 2   | 2-2844962-6 | SPACER, CYLINDRICAL, STRIP GUIDE    | 30                            |         |
| - | 1   | 1   | 1   | 1   | 2844992-1   | ASSEMBLY, STRIP GUIDE               | 29                            |         |
| - | 1   | 1   | 1   | 1   | 1320928-2   | STRIP GUIDE                         | 24                            |         |
| - | 1   | 1   | 1   | 1   | 2168083-2   | SCR, SKT HD CAP, RoHS, M4 X 8.0     | 21                            |         |
| - | 2   | 2   | 2   | 2   | 1-18028-2   | WASHER, FLAT, REG M4                | 20                            |         |
| - | 1   | 1   | 1   | 1   | 2119533-1   | STRIPPER, SIDE FEED                 | 19                            |         |
| - | 1   | 1   | 1   | 1   | 2119806-1   | INSERT, SHEAR                       | 13                            |         |
| - | 1   | 1   | 1   | 1   | 3-22280-3   | SPRING, COMPRESSION                 | 12                            |         |
| - | 1   | 1   | 1   | 1   | 1-356885-4  | STOP, SHEAR                         | 11                            |         |
| - | 1   | 1   | 1   | 1   | 2119805-1   | SHEAR HOLDER, FRONT                 | 10                            |         |
| - | 1   | 1   | 1   | 1   | 1803095-6   | FLOATING SHEAR, FRONT               | 9                             |         |
| - | 1   | 2   | 2   | 1   | 1           | 2-1803171-5                         | ANVIL, COMBINATION            | 8       |
| - | -   | -   | -   | -   | -           | -                                   | 7                             |         |
| - | -   | -   | -   | -   | -           | -                                   | 6                             |         |
| - | 1   | 1   | 1   | 1   | 2119757-8   | DEPRESSOR, SHEAR                    | 5                             |         |
| - | 1   | 1   | 1   | 1   | 2-238011-2  | BLOCK, CRIMPER SPACER               | 4                             |         |
| - | 1   | 2   | 2   | 1   | 1           | 5-2119582-9                         | CRIMPER, INSULATION F PREMIUM | 3       |
| - | 1   | 1   | 1   | 1   | 455888-7    | SPACER, CRIMPER                     | 2                             |         |
| - | 1   | 2   | 2   | 1   | 1           | 8-1633664-0                         | CRIMPER, WIRE                 | 1       |
| - | 77  | 72  | 71  | 2   | -1          | PART NO                             | DESCRIPTION                   | ITEM NO |

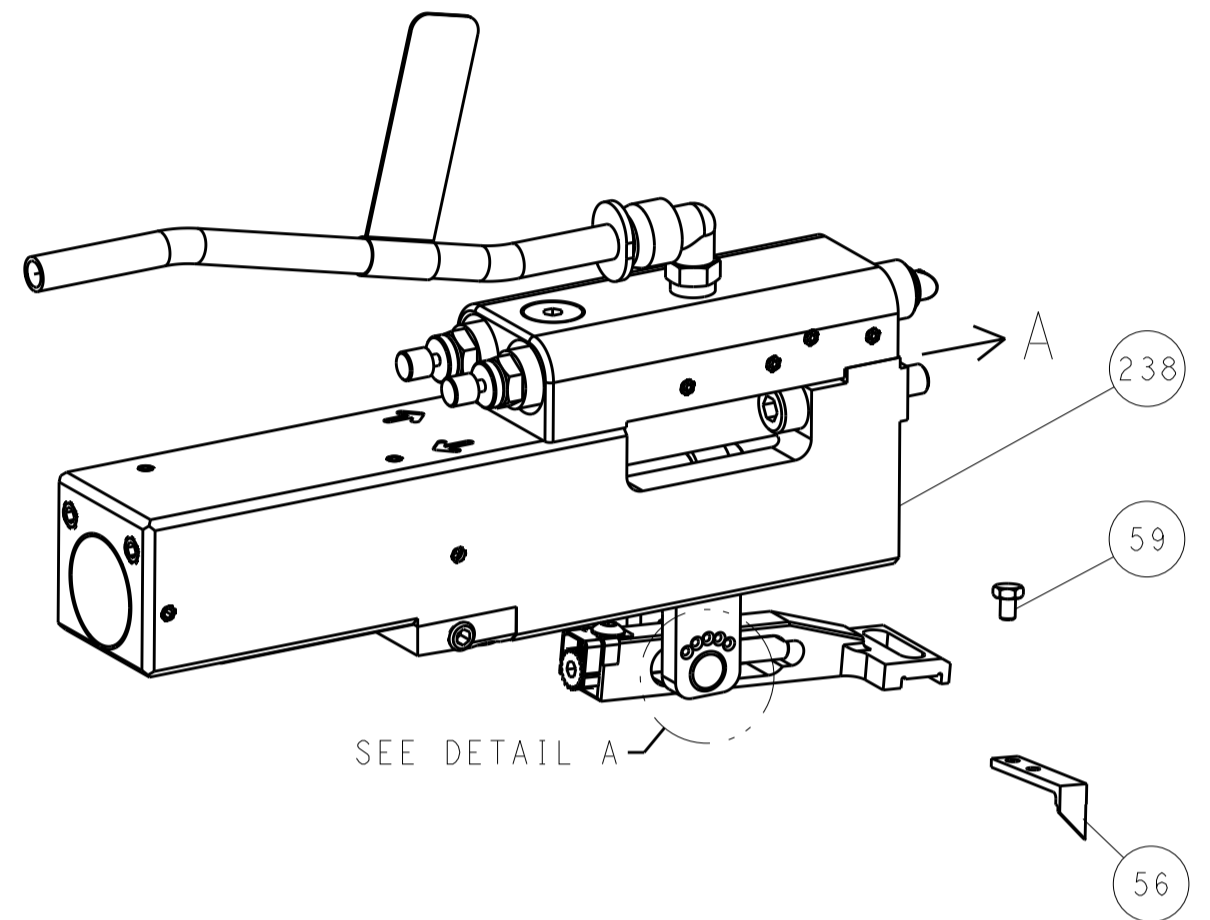
|             |  |  |  |           |  |           |  |                           |  |
|-------------|--|--|--|-----------|--|-----------|--|---------------------------|--|
| DIMENSIONS: |  | TOLERANCES UNLESS OTHERWISE SPECIFIED: |  | DWG       |  | 19DEC2014 |  | TE Connectivity           |  |
| mm          |  | 0 PLC ±                                |  | G. WEAVER |  | 19DEC2014 |  | Harrisburg, PA 17105-3608 |  |
|             |  | 1 PLC ±                                |  | G. BAILEY |  | 19DEC2014 |  | NAME                      |  |
|             |  | 3 PLC ±                                |  | G. BAILEY |  | 19DEC2014 |  | Ocean Side Feed           |  |
|             |  | 4 PLC ±                                |  | G. BAILEY |  | 19DEC2014 |  | Applicator                |  |
|             |  | ANGLES ±                               |  | APVD      |  | 19DEC2014 |  | SIZE                      |  |
|             |  | FINISH ±                               |  | G. BAILEY |  | 19DEC2014 |  | CAGE CODE                 |  |
| MATERIAL    |  |  |  | APVD      |  | 19DEC2014 |  | DRAWING NO                |  |
|             |  |  |  | G. BAILEY |  | 19DEC2014 |  | 00779                     |  |
|             |  |  |  | G. BAILEY |  | 19DEC2014 |  | 2266624                   |  |
|             |  |  |  | G. BAILEY |  | 19DEC2014 |  | SCALE                     |  |
|             |  |  |  | G. BAILEY |  | 19DEC2014 |  | 1:2                       |  |
|             |  |  |  | G. BAILEY |  | 19DEC2014 |  | SHEET                     |  |
|             |  |  |  | G. BAILEY |  | 19DEC2014 |  | 1 of 4                    |  |
|             |  |  |  | G. BAILEY |  | 19DEC2014 |  | REV                       |  |
|             |  |  |  | G. BAILEY |  | 19DEC2014 |  | B                         |  |

| LOC       | DIST | REV | DATE        | BY   | APPD |
|-----------|------|-----|-------------|------|------|
| A         | 66   |     |             |      |      |
| REVISIONS |      |     | DESCRIPTION | DATE | BY   |
|           |      |     | SEE SHEET 1 |      |      |

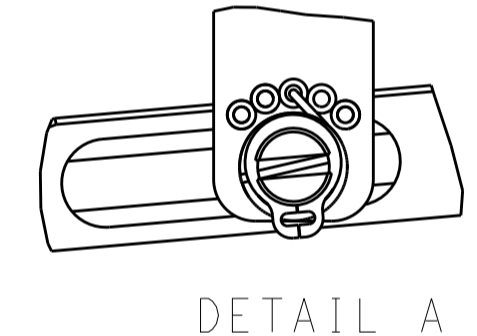
# FEED TYPE MECHANICAL



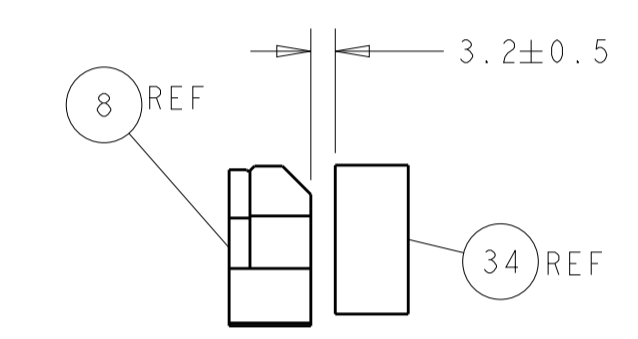
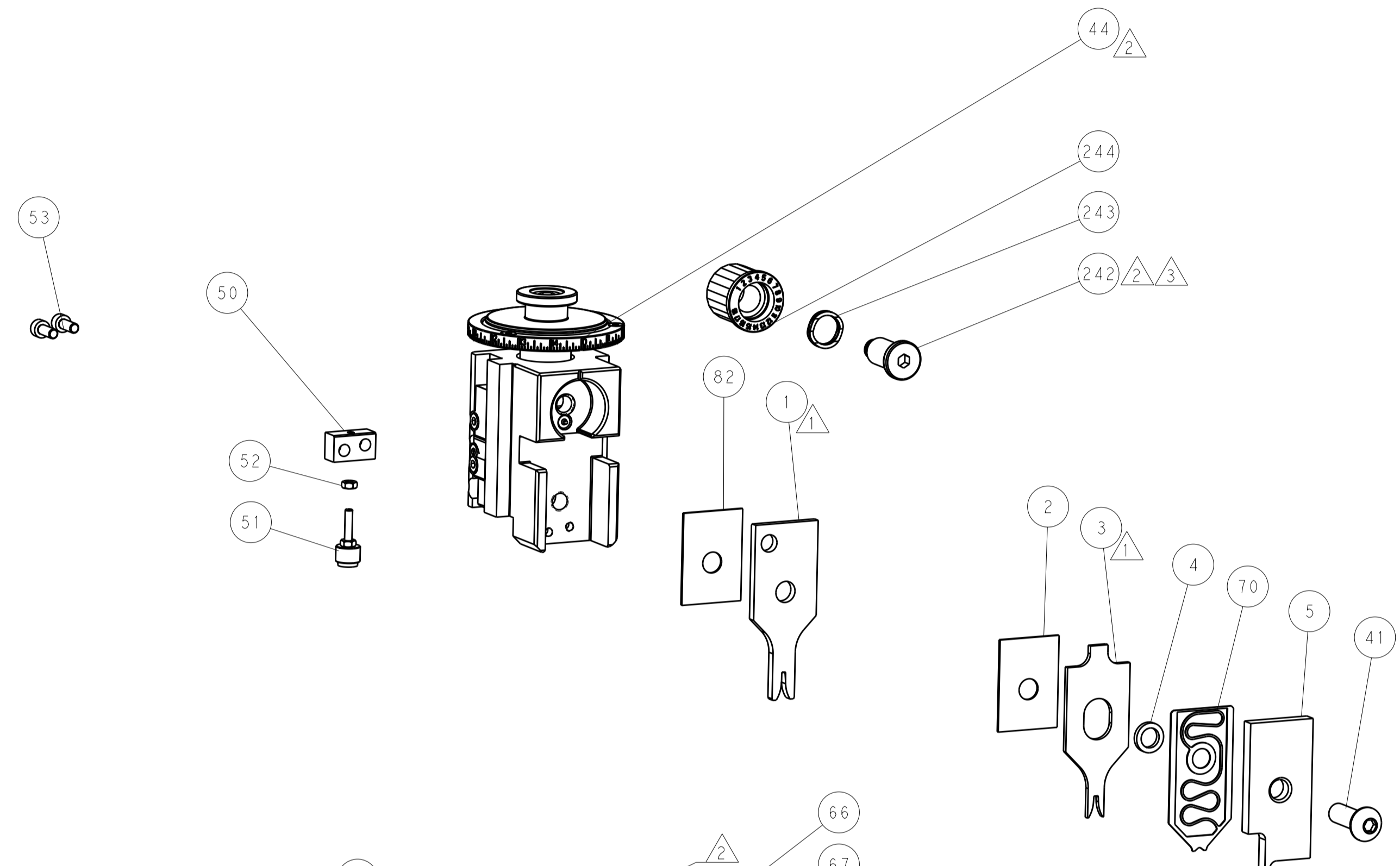
## PNEUMATIC



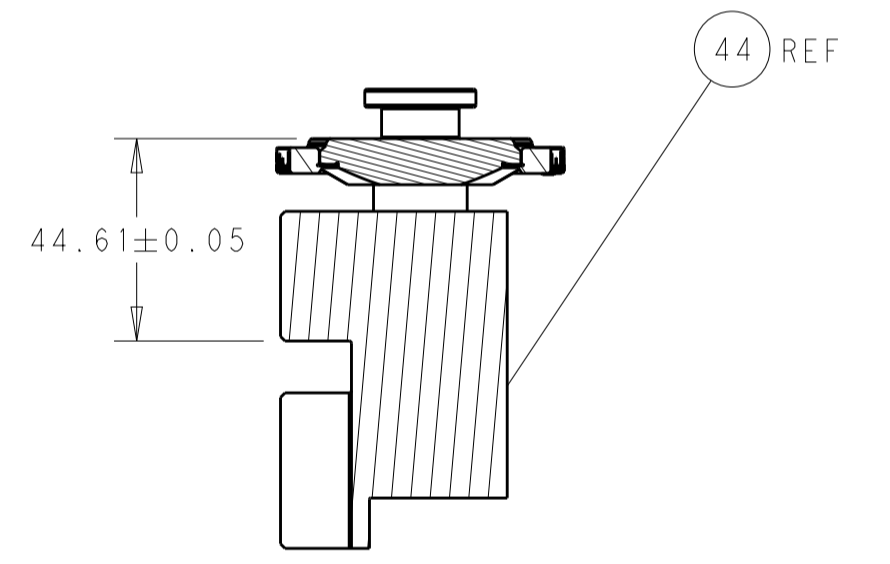
## FEED SPRING SETTING POSITION (SHOWN FROM REAR SIDE)



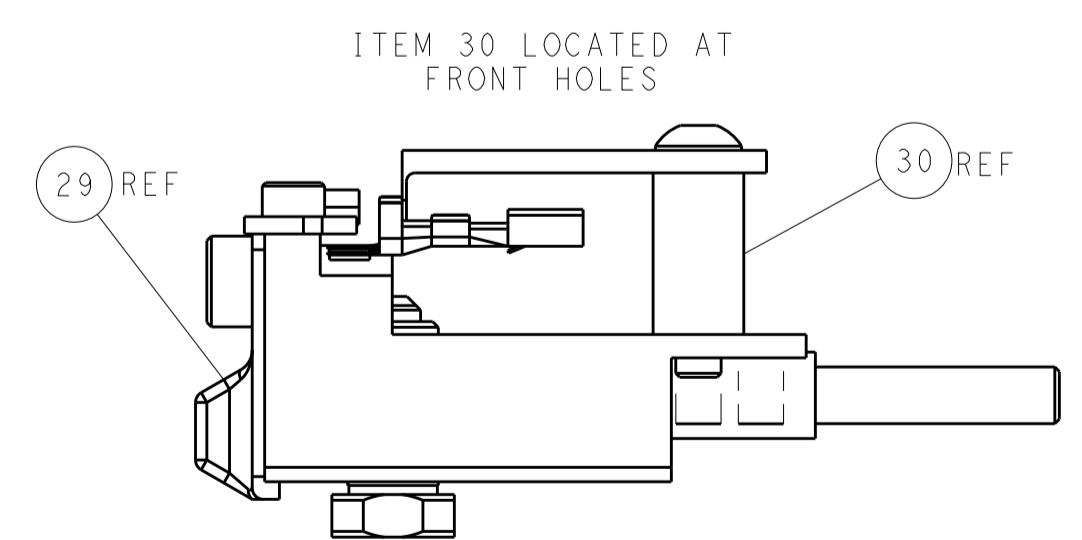
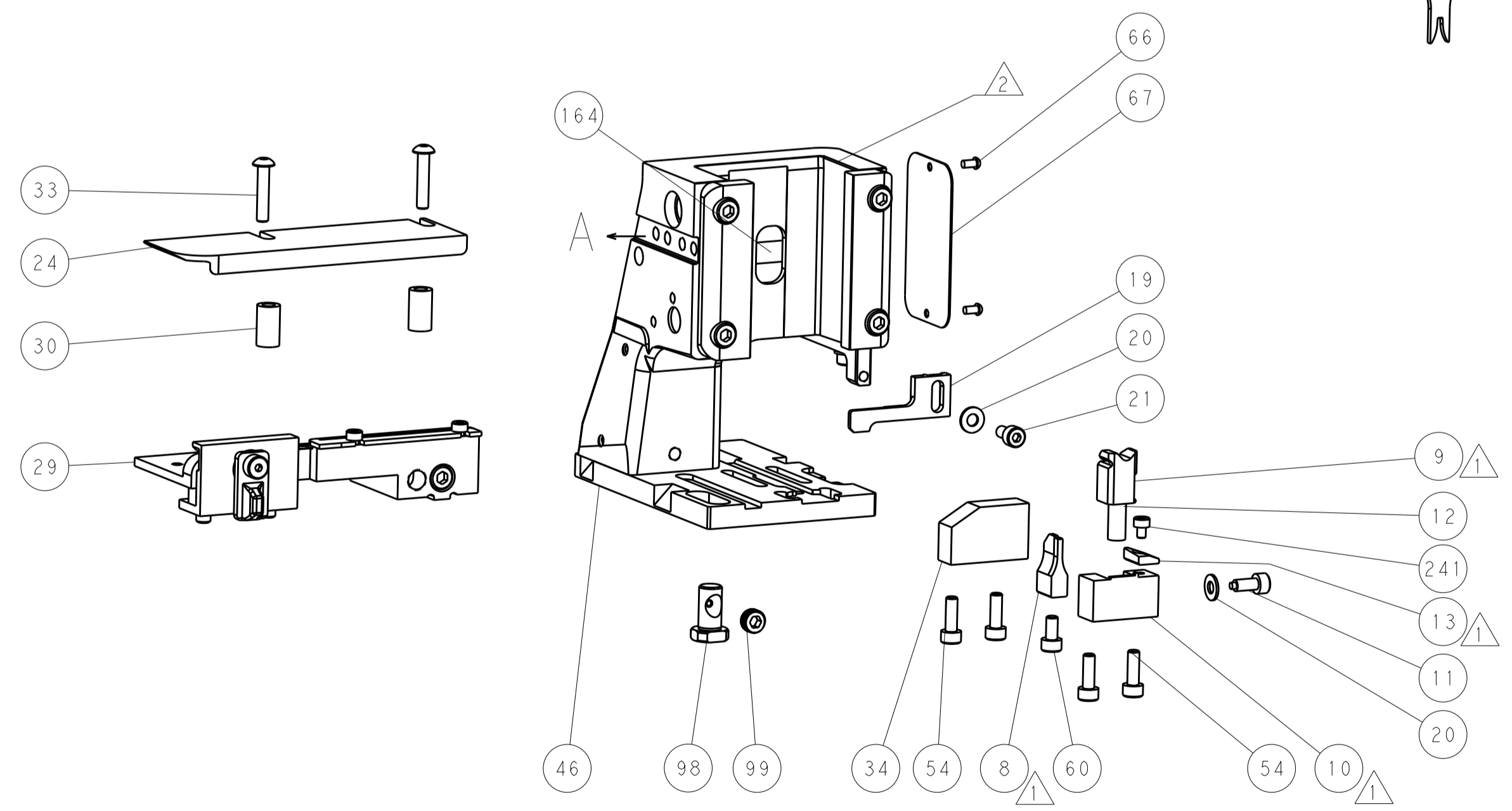
DETAIL A



TERMINAL SUPPORT LOCATION

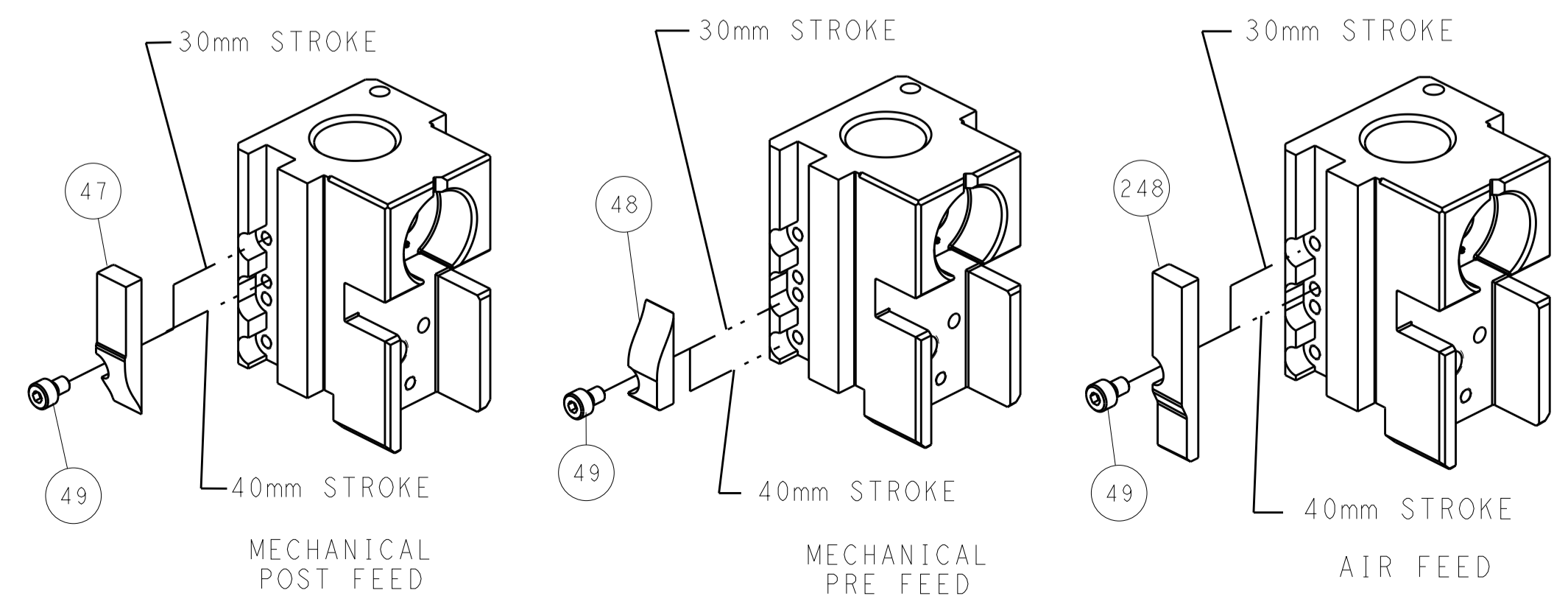


RAM SET-UP



ITEM 30 LOCATED AT FRONT HOLES

# CAM POSITIONS



**ATLANTIC VERSION**  
 Shown on sheets 1 of 4 & 2 of 4  
 (Pacific version shown on sheets 3 of 4 & 4 of 4)

|             |         |  |         |  |  |
|-------------|---------|--|---------|--|--|
| DIMENSIONS: |         | TOLERANCES UNLESS OTHERWISE SPECIFIED: |         | OWN: B. WEAVER 19DEC2014               | TE Connectivity<br>Harrisburg, PA 17105-3608 |
| mm          | 0 PLC ± | 1 PLC ±                                | 2 PLC ± | CHK: G. BAILEY 19DEC2014               |  |
| MATERIAL:   |         | FINISH:                                |         | APVD: G. BAILEY 19DEC2014              | NAME: Ocean Side Feed Applicator             |
| -           |         | -                                      |         | PRODUCT SPEC:                          | SIZE: CAGE CODE DRAWING NO:                  |
| -           |         | -                                      |         | APPLICATION SPEC:                      | A1 00779 ©=2266624                           |
| -           |         | -                                      |         | WEIGHT:                                | RESTRICTED TO:                               |
| -           |         | -                                      |         | Customer Accessible Production Drawing | SCALE: 1:2 SHEET 2 OF 4 REV B                |

| PART NUMBER | REVISION | DESCRIPTION              | FEED TYPE  |
|-------------|----------|--------------------------|------------|
| 2-2266624-1 | B        | FINE CRIMP HEIGHT ADJUST | MECHANICAL |
| 2-2266624-2 | B        | FINE CRIMP HEIGHT ADJUST | PNEUMATIC  |
| 7-2266624-7 | A        | CRIMP TOOLING KIT        | -          |

PACIFIC VERSION TERMINATOR  
INTERFACE ADAPTER



| APPLICATOR DATA |                |      |
|-----------------|----------------|------|
| CRIMP           | SIZE           | TYPE |
| WIRE            | 1.50 mm [.059] | F    |
| INSUL           | 2.02 mm [.080] | F    |

APPLICATOR INSTRUCTIONS  
408-35042

|  |                 |   |                 |
|--|-----------------|---|-----------------|
| TERMINAL DATA: Delphi TERMINAL Delphi CRIMP SPECIFICATION                |                 |   |                 |
| TERMINAL NAME: Terminal  |                 |   |                 |
| WIRE STRIP LENGTH<br>4.50-5.26 mm [1.77-.207 IN]                         |                 | INSULATION DIAMETER RANGE<br>Ø1.30-1.80 mm [.051-.071 IN] |                 |
| TERMINAL APPLICATION SPECIFICATION<br>12064971 Record-N.13577 Rev.-No.00 |                 |   |                 |
| TERMINALS APPLIED  |                 |   |                 |
| TE TERMINAL  | Delphi TERMINAL | TE TERMINAL   | Delphi TERMINAL |
| 1572101-1  | 12064971        | 2133628-1   | 12064971        |
| 1378535-1  | 12064971        |   |                 |

| WIRE SIZE | CRIMP HEIGHT mm [INCH]      | CRIMP HEIGHT REFERENCE SETTING |
|-----------|-----------------------------|--------------------------------|
| 0.60mm2   | 1.10+/-0.03 [1.043+/-0.001] | 6.3                            |
| 0.50mm2   | 1.05+/-0.03 [1.041+/-0.001] | 6.6                            |
| 0.35mm2   | 0.95+/-0.03 [0.937+/-0.001] | 7.7                            |



- 1 RECOMMENDED SPARE PARTS
- 2 REFER TO SUPPLIED INSTRUCTION SHEET FOR CLEANING, LUBRICATION AND STORAGE OF APPLICATOR.
- 3 APPLY PART NUMBER 2-23419-6 LOCTITE TO THREADS OF ITEM 242.
- 4 CRIMP HEIGHT REFERENCE SETTING WAS THE SETTING USED WHEN THE APPLICATOR WAS QUALIFIED AT THE FACTORY. ADJUSTMENT MAY BE NECESSARY WHEN RUNNING APPLICATOR IN THE FIELD.
- 5. UNLESS SPECIFIED OTHERWISE TORQUE VALUES SHALL BE USED PER DOCUMENT, 101-35000.

**\*WARNING**  
ON INSTALLATION, SET WIRE DISC TO CRIMP HEIGHT REFERENCE SETTING FOR LARGEST WIRE SIZE. CRIMP HEIGHT REFERENCE SETTINGS GREATER THAN THE VALUE SHOWN MAY CAUSE DAMAGE TO THE CRIMP TOOLING, REFER TO THE INSTRUCTION SHEET FOR PROPER SETUP AND ADJUSTMENTS.

PACIFIC VERSION  
Shown on sheets 3 of 4 & 4 of 4  
(Atlantic version shown on sheets 1 of 4 & 2 of 4)

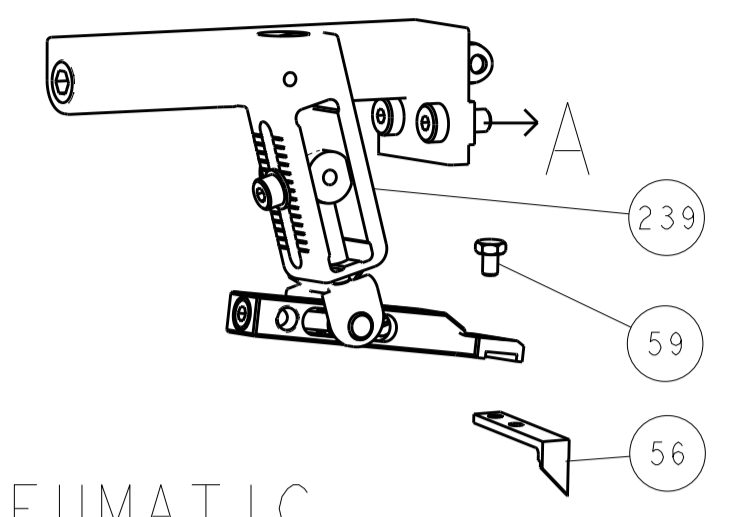
| LOC | DIST | REV | DATE | BY | APPD |
|-----|------|-----|------|----|------|
| A   | 66   | -   | -    | -  | -    |

| REV | DATE | BY  | APPD        | DESCRIPTION                         | ITEM NO |
|-----|------|-----|-------------|-------------------------------------|---------|
| -   | 1    | 1   | 2119082-5   | CAM, SNAIL, INSULATION ADJUSTMENT   | 244     |
| -   | 1    | 1   | 2079764-1   | WASHER, WAVE SPRING, CREST-TO-CREST | 243     |
| 3   | -    | 1   | 2119083-1   | RETAINER, INSULATION DIAL           | 242     |
| -   | 1    | 1   | 7-18023-7   | SCR, SKT HD CAP M3 X 4.0            | 241     |
| -   | -    | 1   | 2119580-1   | MECHANICAL FEED ASSEMBLY            | 239     |
| -   | 1    | -   | 2844940-1   | AIR FEED MODULE                     | 238     |
| -   | REF  | REF | 994970-2    | COUNTER, MAGNETIC                   | 164     |
| -   | 1    | -   | 2119641-2   | FEED CAM, AIR FEED                  | 151     |
| -   | 1    | 1   | 2168083-8   | SCR, SKT HD CAP, RoHS, M4 X 16      | 144     |
| -   | 4    | 4   | 2168083-9   | SCR, SKT HD CAP, RoHS, M4 X 20      | 143     |
| -   | -    | 1   | 2119653-2   | FEED CAM, POST FEED                 | 142     |
| -   | 1    | 1   | 1-1803583-0 | APPLICATOR BASIC ASSEMBLY, SF       | 141     |
| -   | 1    | 1   | 1803516-1   | RAM ASSEMBLY, SF PACIFIC            | 140     |
| -   | 1    | 1   | 2844908-1   | SCREW, LOCKING                      | 99      |
| -   | 1    | 1   | 2844907-1   | POST, LOCKING                       | 98      |
| -   | 1    | 1   | 455888-7    | SPACER, CRIMPER                     | 82      |
| -   | 1    | 1   | 1803607-3   | DOCUMENTATION PACKAGE               | 71      |
| -   | 1    | 1   | 2119791-9   | DEPRESSOR, WIRE                     | 70      |
| -   | 1    | 1   | 2119740-1   | TAG, IDENTIFICATION                 | 67      |
| -   | 2    | 2   | 2168078-1   | SCREW, DRIVE, RH, RoHS, 2 x .188    | 66      |
| -   | 1    | 1   | 5-18022-5   | SCR, HEX HD CAP, M4 X 6.0           | 59      |
| -   | 1    | 1   | 1338685-1   | PAWL, FEED                          | 56      |
| -   | 2    | 2   | 1-2168083-0 | SCR, SKT HD CAP, RoHS, M4 X 10      | 53      |
| -   | 1    | 1   | 5018030-1   | NUT, HEX, REG, RoHS, M3             | 52      |
| -   | 1    | 1   | 811242-5    | BUMPER, HOLD DOWN                   | 51      |
| -   | 1    | 1   | 690753-2    | SPACER, TONKER                      | 50      |
| -   | 1    | 2   | 18023-9     | SCR, SKT HD CAP M4 X 6.0            | 49      |
| -   | -    | 1   | 2119652-1   | FEED CAM, PRE FEED                  | 48      |
| -   | 1    | 1   | 1803602-1   | SCR, BHSC, RoHS (M8 X 25)           | 41      |
| -   | 1    | 1   | 1-1752356-9 | SUPPORT, TERMINAL                   | 34      |
| -   | 2    | 2   | 2079383-5   | SCR, BHSC, RoHS (M4 X 20)           | 33      |
| -   | 2    | 2   | 2-2844962-6 | SPACER, CYLINDRICAL, STRIP GUIDE    | 30      |
| -   | 1    | 1   | 2844992-1   | ASSEMBLY, STRIP GUIDE               | 29      |
| -   | 1    | 1   | 1320928-2   | STRIP GUIDE                         | 24      |
| -   | 1    | 1   | 2168083-2   | SCR, SKT HD CAP, RoHS, M4 X 8.0     | 21      |
| -   | 2    | 2   | 1-18028-2   | WASHER, FLAT, REG M4                | 20      |
| -   | 1    | 1   | 2119533-1   | STRIPPER, SIDE FEED                 | 19      |
| 1   | -    | 1   | 2119806-1   | INSERT, SHEAR                       | 13      |
| -   | 1    | 1   | 3-22280-3   | SPRING, COMPRESSION                 | 12      |
| -   | 1    | 1   | 1-356885-4  | STOP, SHEAR                         | 11      |
| -   | 1    | 1   | 2119805-1   | SHEAR HOLDER, FRONT                 | 10      |
| -   | 1    | 1   | 1803095-6   | FLOATING SHEAR, FRONT               | 9       |
| 1   | 1    | 1   | 2-1803171-5 | ANVIL, COMBINATION                  | 8       |
| -   | -    | -   | -           | -                                   | 7       |
| -   | -    | -   | -           | -                                   | 6       |
| -   | 1    | 1   | 2119757-8   | DEPRESSOR, SHEAR                    | 5       |
| -   | 1    | 1   | 2-238011-2  | BLOCK, CRIMPER SPACER               | 4       |
| 1   | 1    | 1   | 5-2119582-9 | CRIMPER, INSULATION F PREMIUM       | 3       |
| -   | 1    | 1   | 455888-7    | SPACER, CRIMPER                     | 2       |
| 1   | 1    | 1   | 8-1633664-0 | CRIMPER, WIRE                       | 1       |

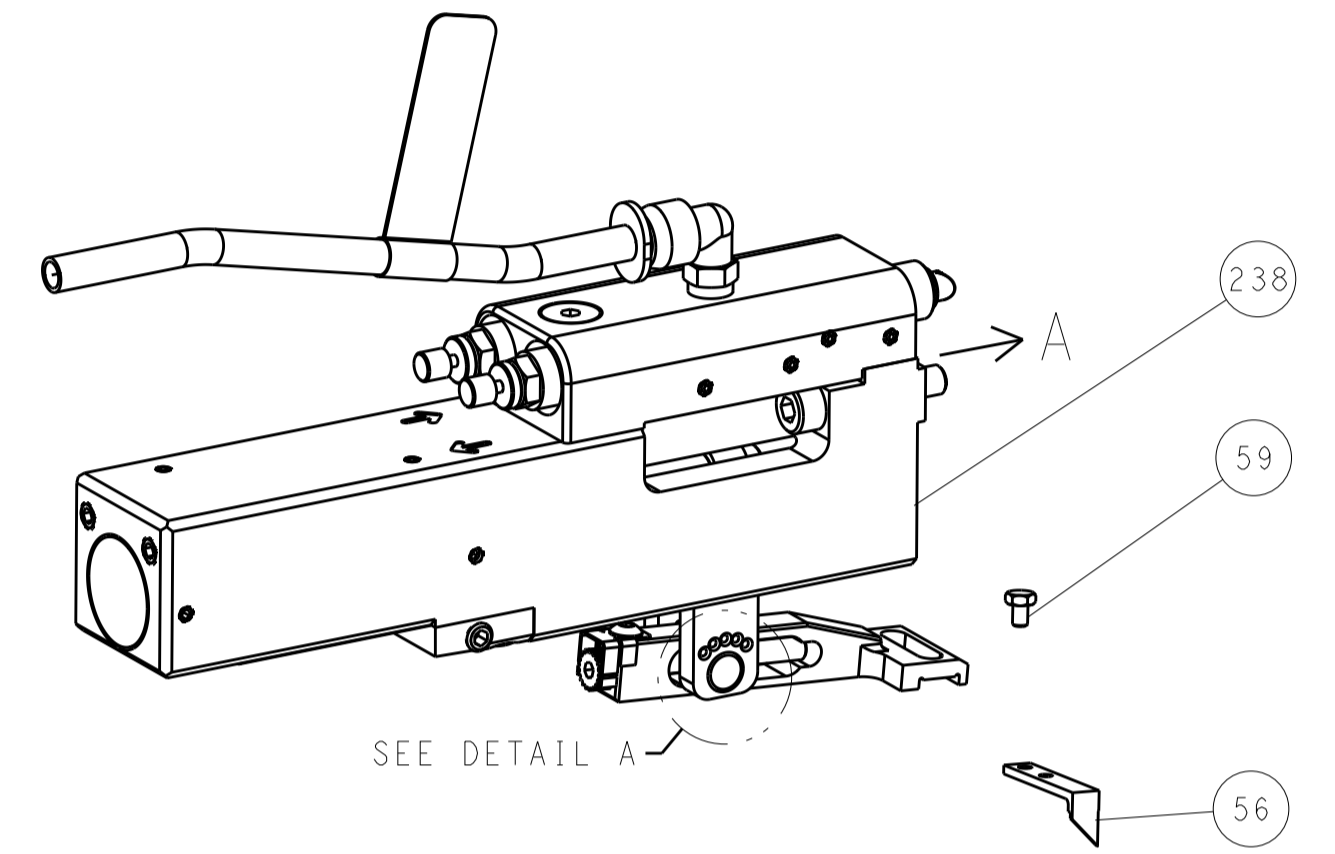
|                |   |  |   |                          |   |                           |   |                           |   |                                  |   |
|----------------|---|--|---|--------------------------|---|---------------------------|---|---------------------------|---|----------------------------------|---|
| DIMENSIONS: mm |   | TOLERANCES UNLESS OTHERWISE SPECIFIED: |   | DWG: B. WEAVER 19DEC2014 |   | CHK: G. BAILEY 19DEC2014  |   | APVD: G. BAILEY 19DEC2014 |   | NAME: Ocean Side Feed Applicator |   |
| 0 PLC          | ± | 1 PLC                                  | ± | 2 PLC                    | ± | 3 PLC                     | ± | 4 PLC                     | ± | ANGLES                           | ± |
| MATERIAL: -    |   | FINISH: -                              |   | WEIGHT: -                |   | SCALE: A1 00779 C=2266624 |   | SHEET: 3 OF 4             |   | REV: B                           |   |

| LOC |    | DIST |     | REVISIONS   |      |     |      |
|-----|----|------|-----|-------------|------|-----|------|
| A   | 66 | P    | LTM | DESCRIPTION | DATE | OWN | APVD |
|     |    | -    |     | SEE SHEET 1 |      |     |      |

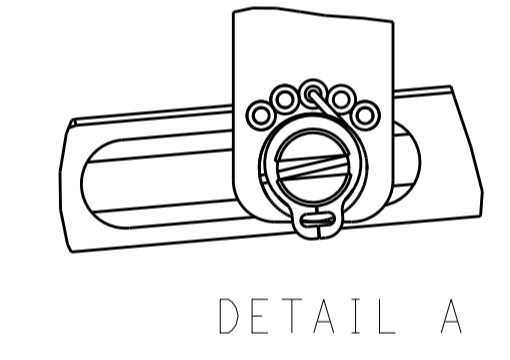
# FEED TYPE MECHANICAL



## PNEUMATIC

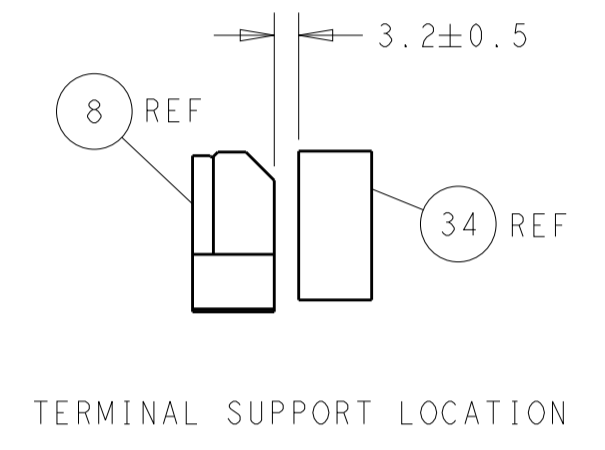
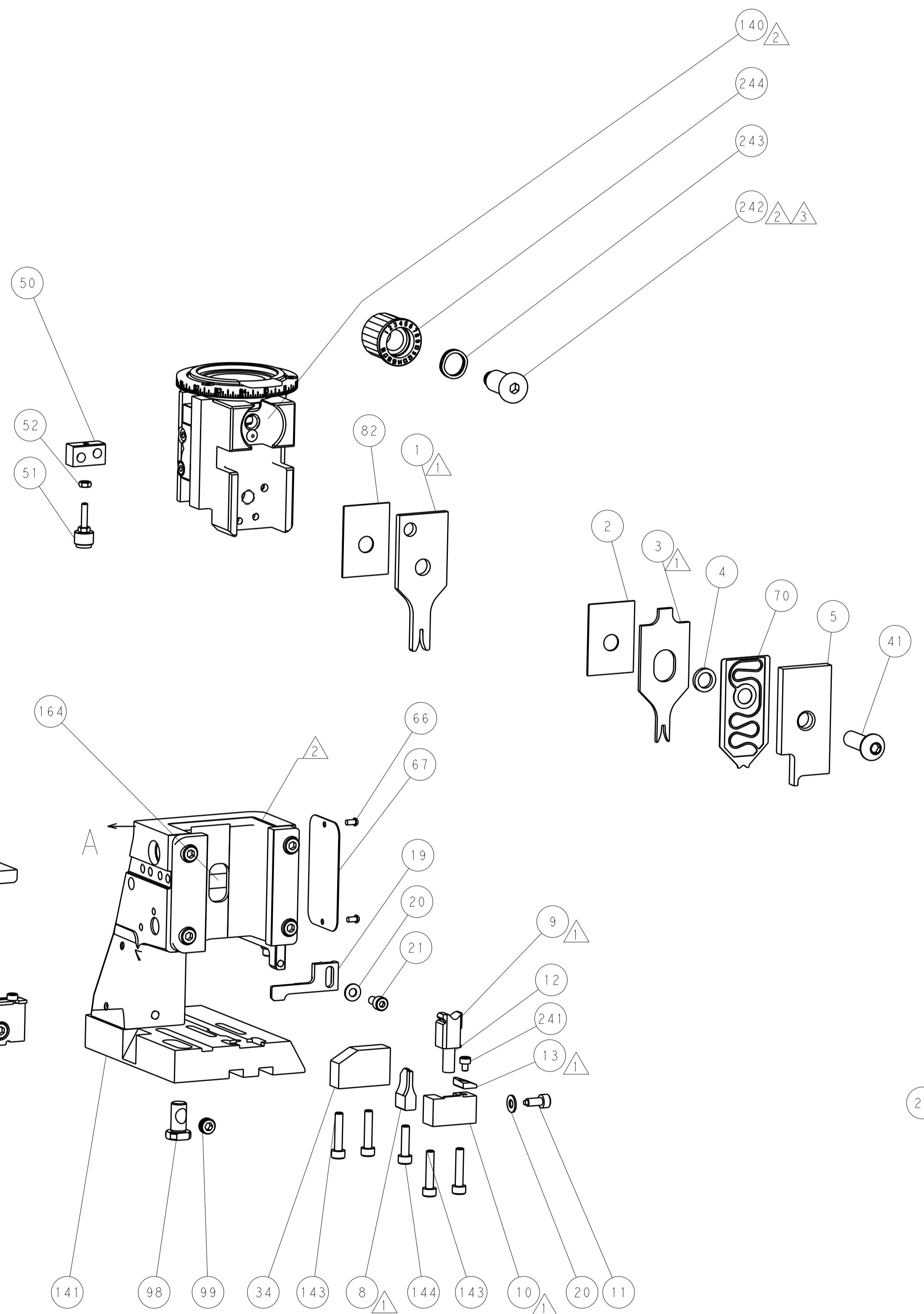
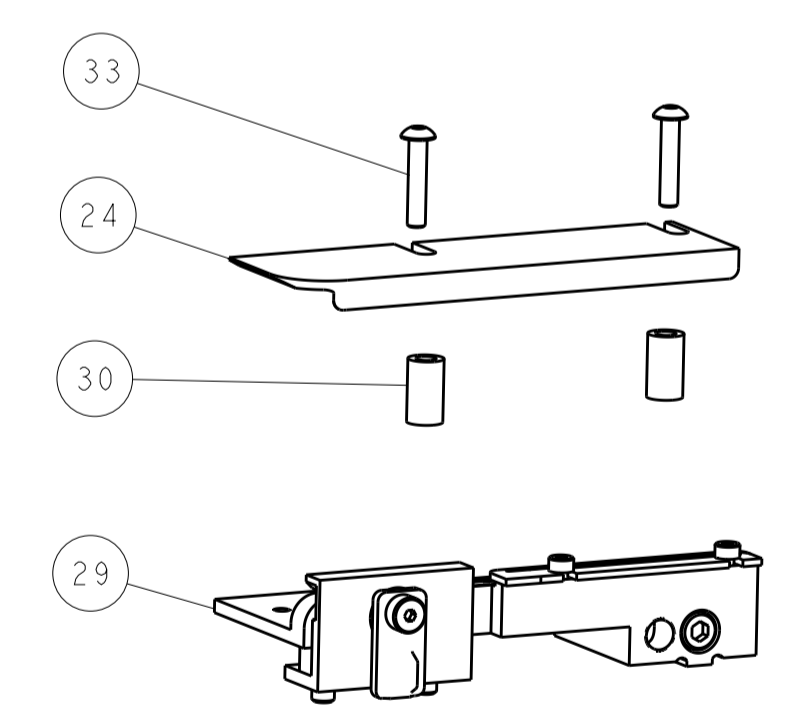
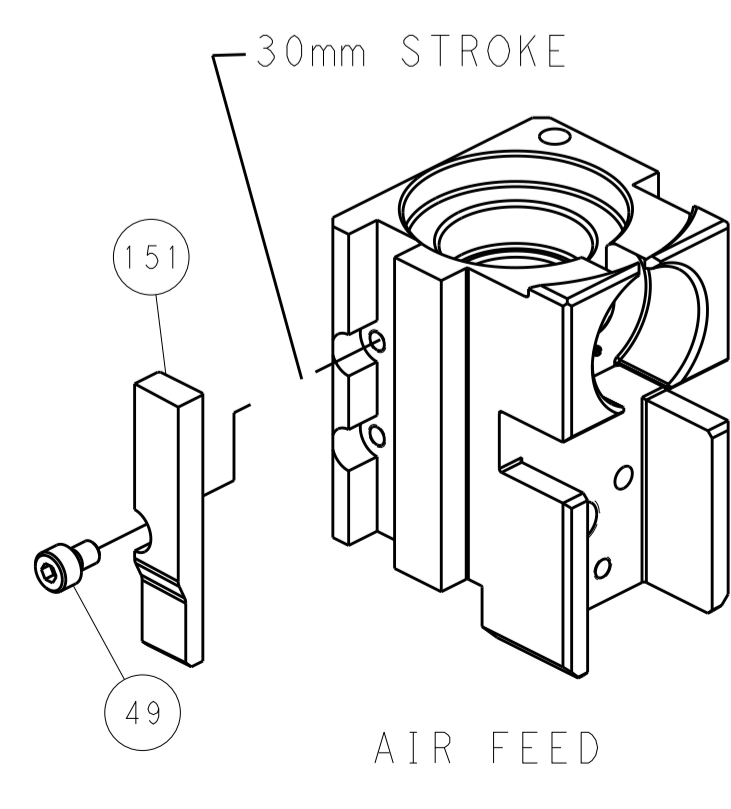
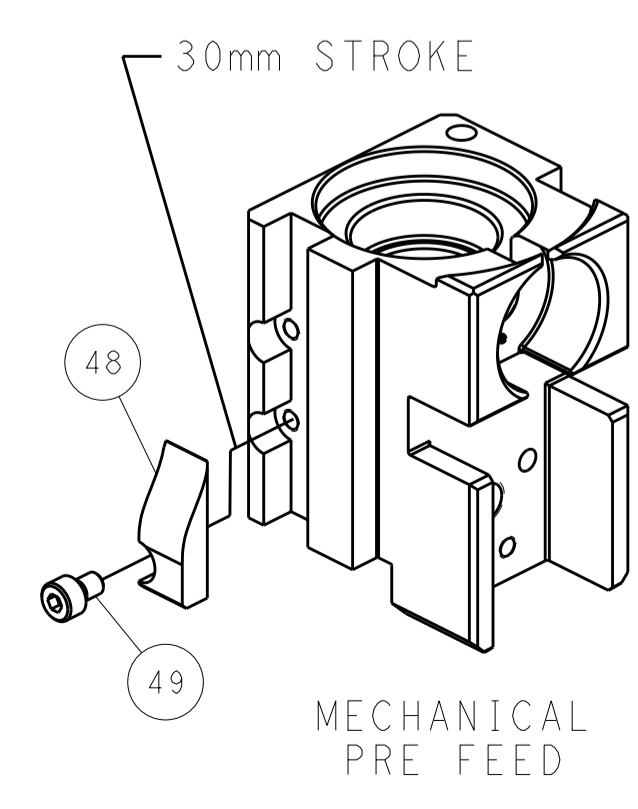
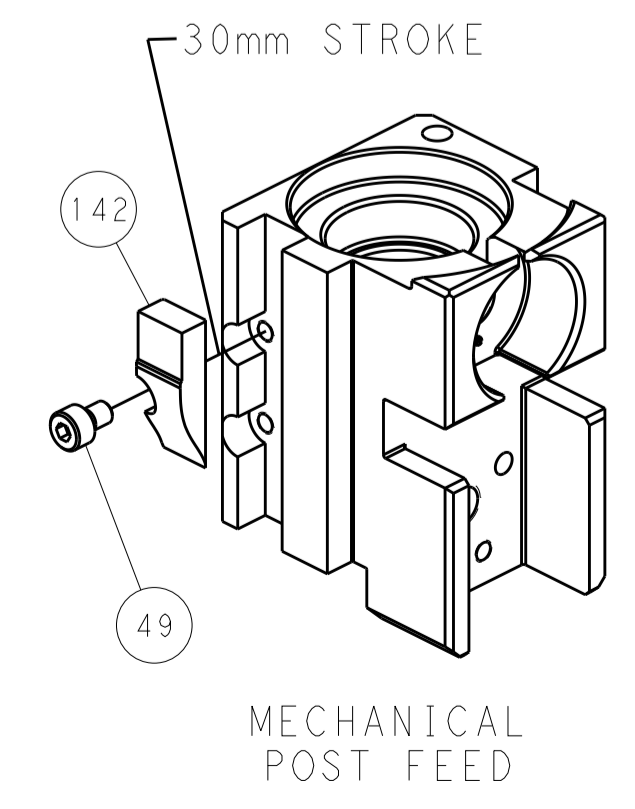


## FEED SPRING SETTING POSITION (SHOWN FROM REAR SIDE)

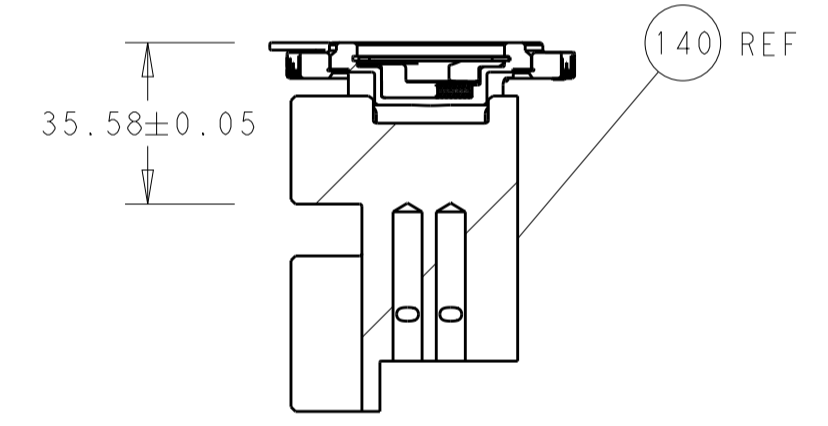


DETAIL A

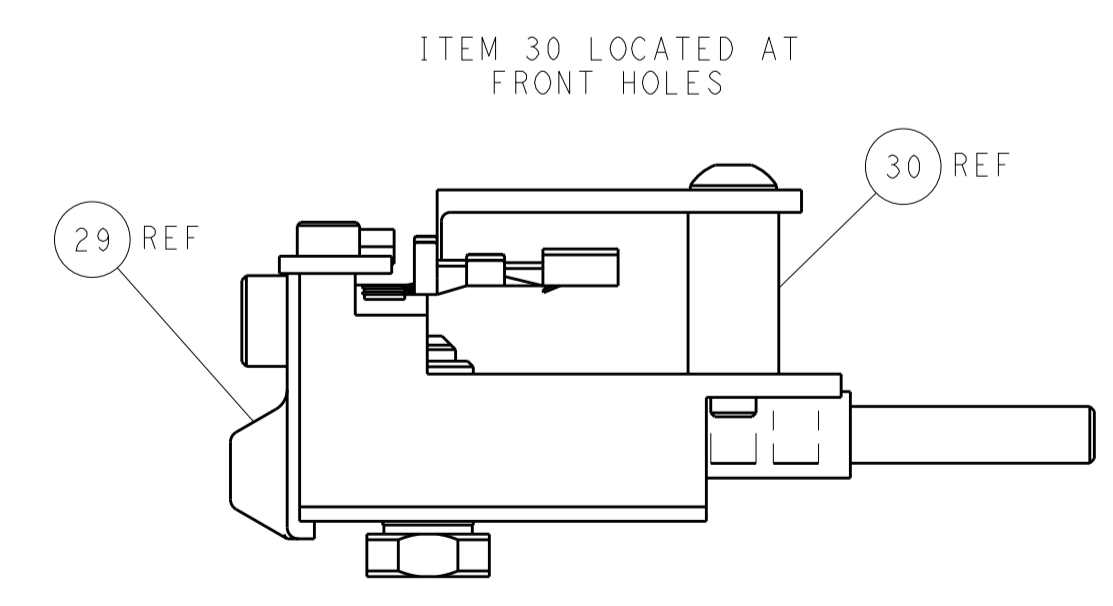
# CAM POSITIONS



TERMINAL SUPPORT LOCATION



RAM SET-UP



FEED TRACK POSITION GUIDE BY INSULATION BARREL

**PACIFIC VERSION**  
 Shown on sheets 3 of 4 & 4 of 4  
 (Atlantic version shown on sheets 1 of 4 & 2 of 4)

|  |  |   |  |
|--|--|---|--|
| <small>THE INFORMATION CONTAINED HEREON IS UNCLASSIFIED EXCEPT WHERE SHOWN OTHERWISE. IT IS SUBJECT TO CHANGE WITHOUT NOTICE AND WITHOUT NOTICE TO THE USER. IT IS THE USER'S RESPONSIBILITY TO CONTACT THE APPLICABLE ORGANIZATION FOR THE LATEST REVISION.</small> |  | DWN: B. WEAVER 19DEC2014<br>CHK: G. BAILEY 19DEC2014<br>APVD: G. BAILEY 19DEC2014 | NAME: TE Connectivity<br>Harrisburg, PA 17105-3608 |
| DIMENSIONS: mm<br>TOLERANCES UNLESS OTHERWISE SPECIFIED:<br>0 PLC ±<br>1 PLC ±<br>2 PLC ±<br>3 PLC ±<br>4 PLC ±<br>ANGLES ±  |  | PRODUCT SPEC:<br>APPLICATION SPEC:<br>WEIGHT:                                     | SIZE: CAGE CODE: DRAWING NO:<br>RESTRICTED TO:     |
| MATERIAL: FINISH:  |  | WEIGHT: A11 00779 ©=2266624<br>Customer Accessible Production Drawing             | SCALE: 1:2 SHEET 4 OF 4 REV B                      |