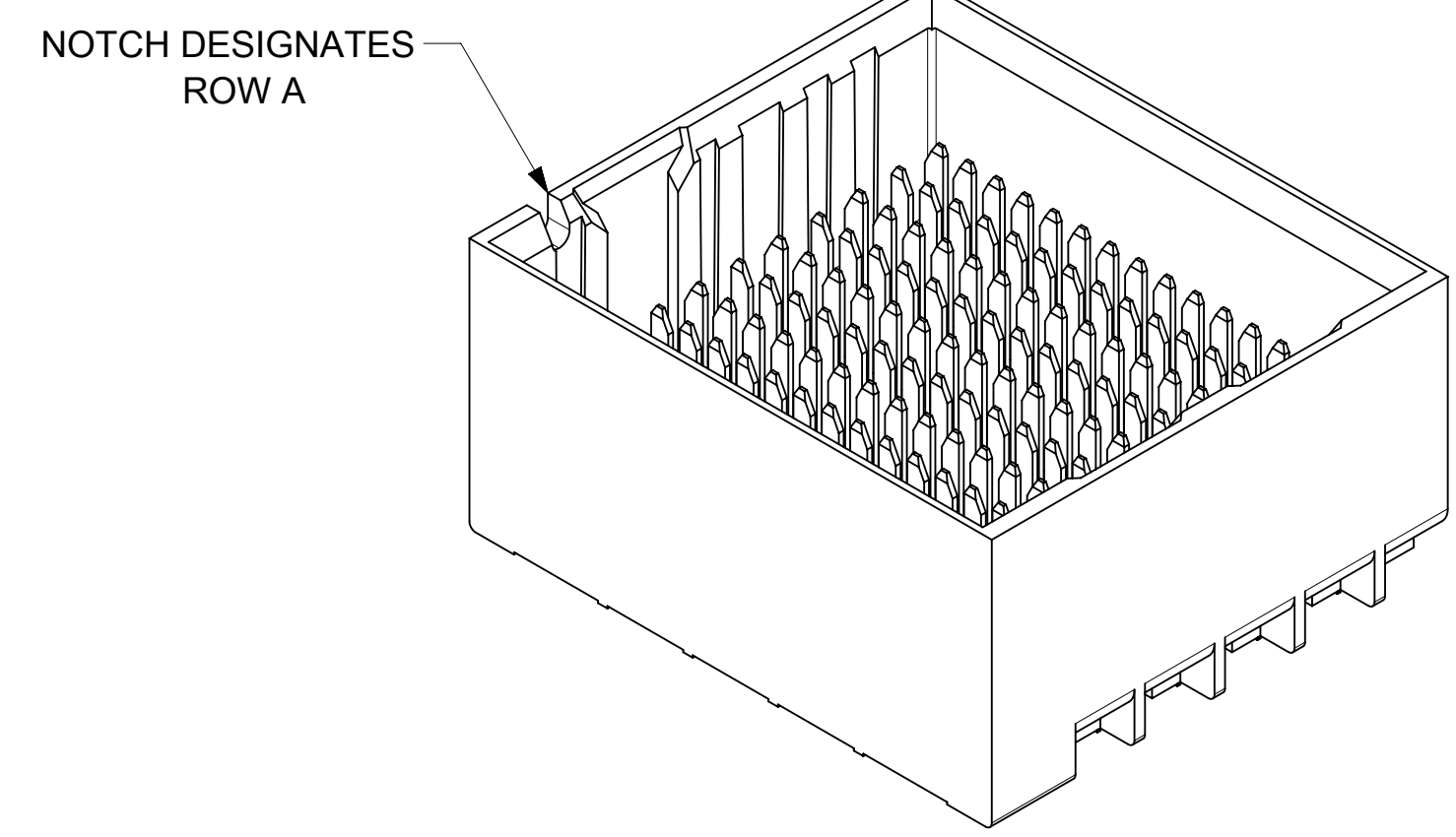


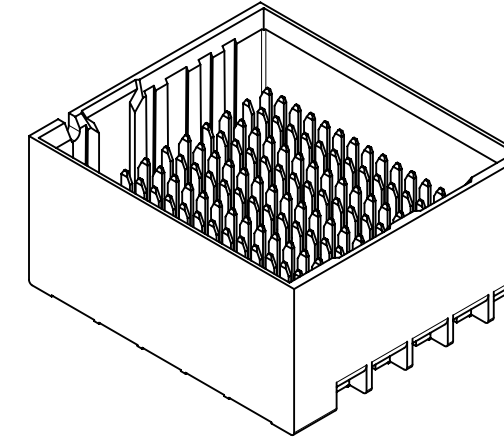
- NOTES:**
1. MATERIALS: HOUSING - LIQUID CRYSTAL POLYMER (LCP)
GLASS-FILLED, UL94V-0
TERMINALS - HIGH PERFORMANCE COPPER ALLOY
 2. FINISH: 30μ INCH MIN GOLD IN CONTACT AREA.
SELECTIVE MATTE TIN PCB TAILS, NICKEL OVERALL.
 3. REFER TO MOLEX PRODUCT SPECIFICATION PS-170540-999
FOR PERFORMANCE SPECIFICATIONS AND ADDITIONAL PCB INFORMATION.
 4. THIS PART CONFORMS TO CLASS B REQUIREMENTS OF
MOLEX COSMETIC SPEC PS-45499-002.
 5. PARTS PACKAGED PER PK-70873-7702.
 6. SEE SHEETS 2 & 3 FOR PART NUMBERS AND BOARD RELATIONSHIPS.
 7. REFER TO MOLEX PCB ROUTING GUIDE AS-76060-990 FOR ANTIPAD AND
ROUTING RECOMMENDATIONS.
 8. MINIMUM CIRCUIT BOARD THICKNESS: 1.0mm.
 9. "THESE DIMENSIONS REPRESENT THE AREA NEEDED TO ACCOMMODATE CONNECTOR
INSERTION AND REPAIR ON THE PC BOARD. THIS IS REFERRED TO AS THE
"CONNECTOR KEEP OUT ZONE" AND DOES NOT REPRESENT THE ACTUAL PERIMETER
OF THE CONNECTOR. WHEN LAYING OUT A PC BOARD FOR CONNECTORS STACKED
TOGETHER, USE THE 1.9mm PROGRESSION."



THIS DRAWING CONTAINS INFORMATION THAT IS PROPRIETARY TO MOLEX ELECTRONIC TECHNOLOGIES, LLC AND SHOULD NOT BE USED WITHOUT WRITTEN PERMISSION									
MIGRATED TO NX EC NO: 168852 DRWN: NVELUSAMY CHKD: CD REV / APPR: GGA	GENERAL TOLERANCES (UNLESS SPECIFIED)		DIMENSION UNITS	SCALE					
	ANGULAR TOL ± 2.0 °		MM	4:1					
	4 PLACES ±	DRWN BY	DATE	JBINGHAM		2010/05/18		IMPACT 5-PAIR 85-OHM UNGUIDED BACKPLANE SALES ASSEMBLY DRAWING	
	3 PLACES ±	CHKD BY	DATE	JLAURX		2010/05/18		PRODUCT CUSTOMER DRAWING	
	2 PLACES ± 0.13	APPR BY	DATE	JLAURX		2013/05/21		SERIES	MATERIAL NUMBER
1 PLACE ± 0.25	DRAFT WHERE APPLICABLE MUST REMAIN WITHIN DIMENSIONS		DRAWING SIZE	THIRD ANGLE PROJECTION	170475		SEE CHART	GENERAL MARKET	
0 PLACES ±	C	C		SD-170475-0001		DOC TYPE	DOC PART	SHEET NUMBER	1 OF 3

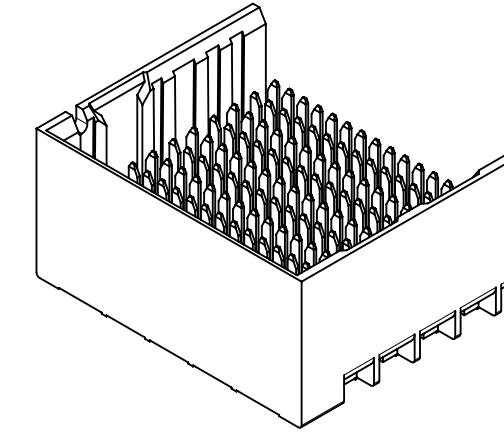
PART NUMBER TABLE

MATERIAL NUMBER	# OF COLUMNS	# OF DIFF PAIR	DIM. A	DIM. B	DUAL END WALL OPTION
170475-182*	8	40	17.9	13.30	
170475-112*	10	50	21.7	17.10	
170475-122*	12	60	25.5	20.90	
170475-162*	16	80	33.1	28.50	



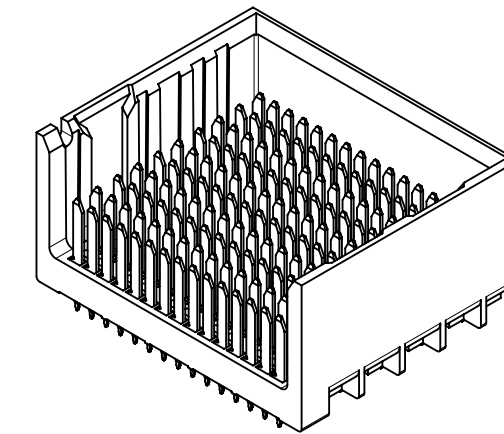
**DUAL END
WALL OPTION**

MATERIAL NUMBER	# OF COLUMNS	# OF DIFF PAIR	DIM. A	DIM. B	LEFT END WALL OPTION
170475-181*	8	40	16.5	13.30	
170475-111*	10	50	20.3	17.10	
170475-121*	12	60	24.1	20.90	
170475-161*	16	80	31.7	28.50	



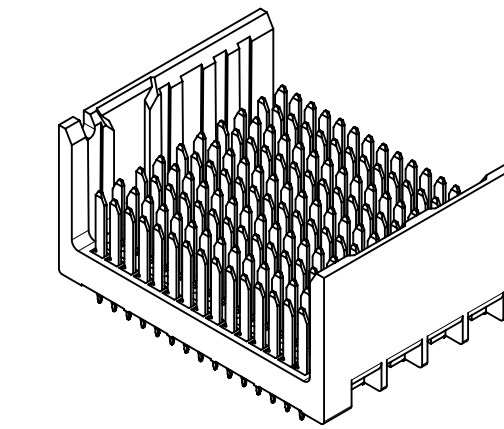
**LEFT END
WALL OPTION**

MATERIAL NUMBER	# OF COLUMNS	# OF DIFF PAIR	DIM. A	DIM. B	RIGHT END WALL OPTION
170475-183*	8	40	16.5	13.30	
170475-113*	10	50	20.3	17.10	
170475-123*	12	60	24.1	20.90	
170475-163*	16	80	31.7	28.50	



**RIGHT END
WALL OPTION**

MATERIAL NUMBER	# OF COLUMNS	# OF DIFF PAIR	DIM. A	DIM. B	OPEN WALL OPTION
170475-180*	8	40	15.1	13.30	
170475-110*	10	50	18.9	17.10	
170475-120*	12	60	22.7	20.90	
170475-160*	16	80	30.3	28.50	



**OPEN
WALL OPTION**

THIS DRAWING CONTAINS INFORMATION THAT IS PROPRIETARY TO MOLEX ELECTRONIC TECHNOLOGIES, LLC AND SHOULD NOT BE USED WITHOUT WRITTEN PERMISSION												
MIGRATED TO NX EC NO: 168852 DRWN: NVELUSAMY CHKD: CD REV / APPR: GGA	2017/10/24	GENERAL TOLERANCES (UNLESS SPECIFIED)		DIMENSION UNITS	SCALE	molex IMPACT 5-PAIR 85-OHM UNGUIDED BACKPLANE SALES ASSEMBLY DRAWING						
	2017/11/30	ANGULAR TOL ± 2.0 °		MM	2:1							
	2017/12/01	4 PLACES ±	DRWN BY		DATE		PRODUCT CUSTOMER DRAWING					
	C3	3 PLACES ±	JBINGHAM		2010/05/18							
	DRAFT WHERE APPLICABLE MUST REMAIN WITHIN DIMENSIONS		2 PLACES ± 0.13	CHKD BY		DATE		SERIES		MATERIAL NUMBER		CUSTOMER
C		1 PLACE ± 0.25	JLAURX		2010/05/18		170475		SEE CHART		GENERAL MARKET	
C		0 PLACES ±	JLAURX		2013/05/21		DOCUMENT NUMBER		DOC TYPE		DOC PART SHEET NUMBER	
C		DRAWING SIZE		THIRD ANGLE PROJECTION		SD-170475-0001		PSD		001 2 OF 3		

PART NUMBER LOGIC

170475-****

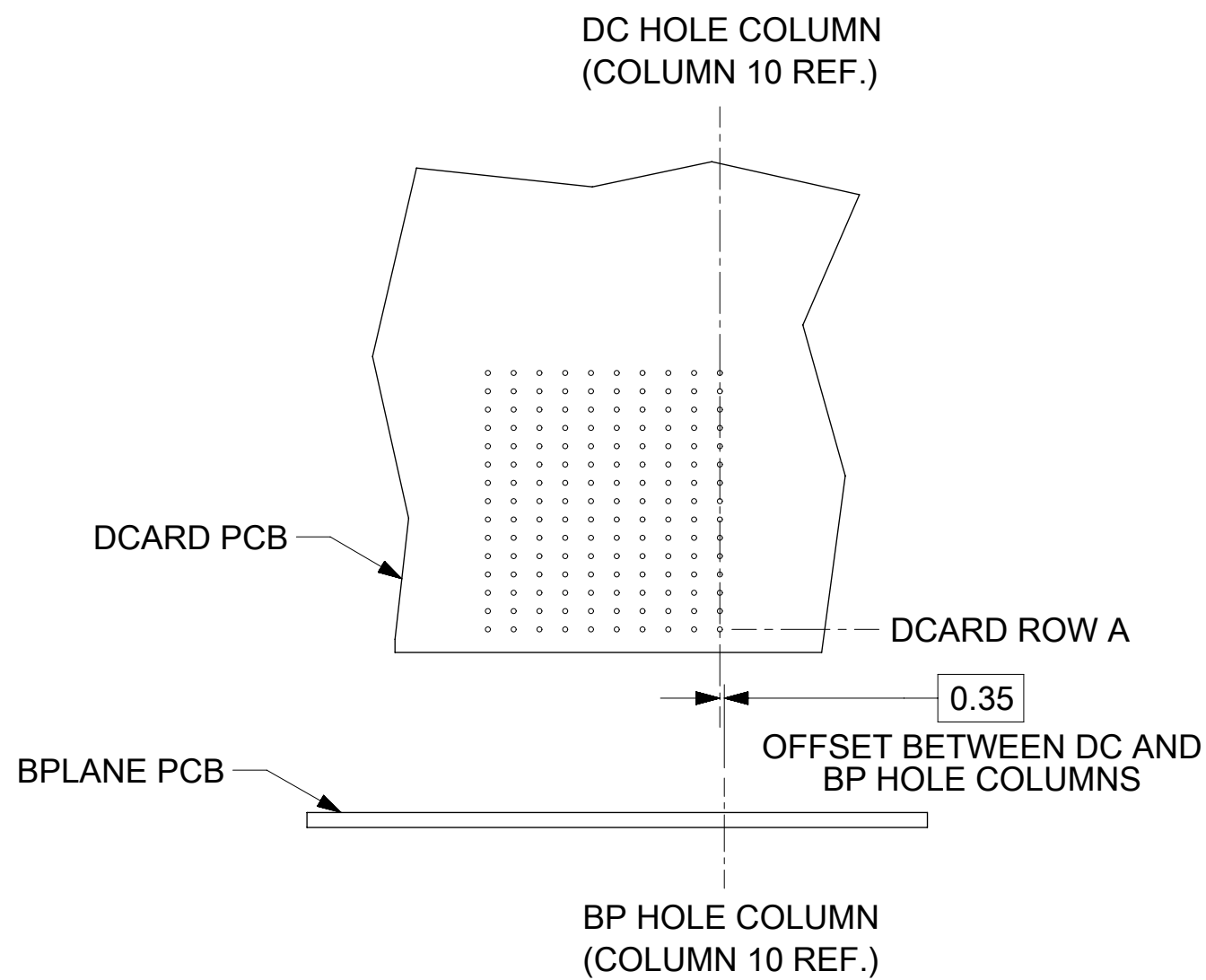
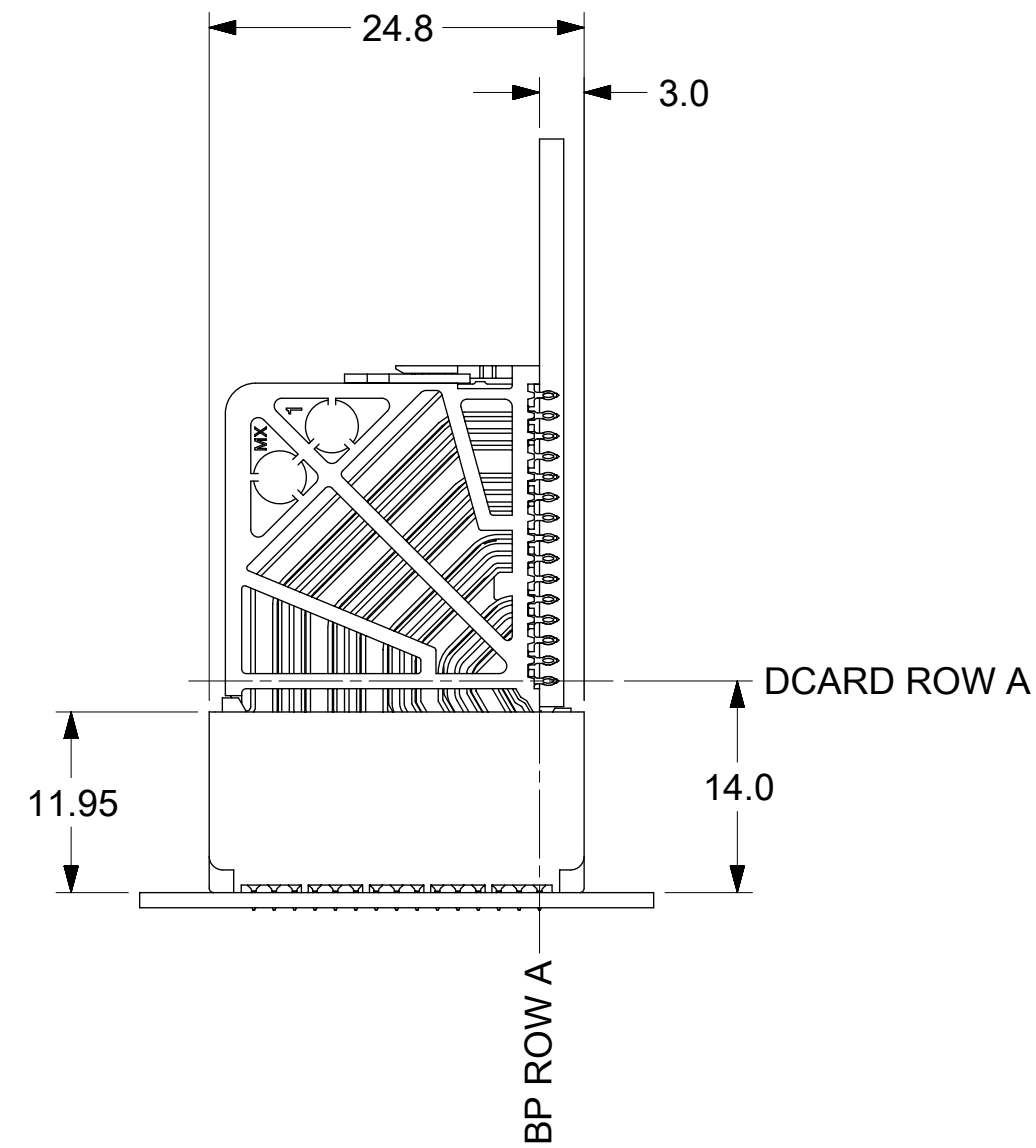
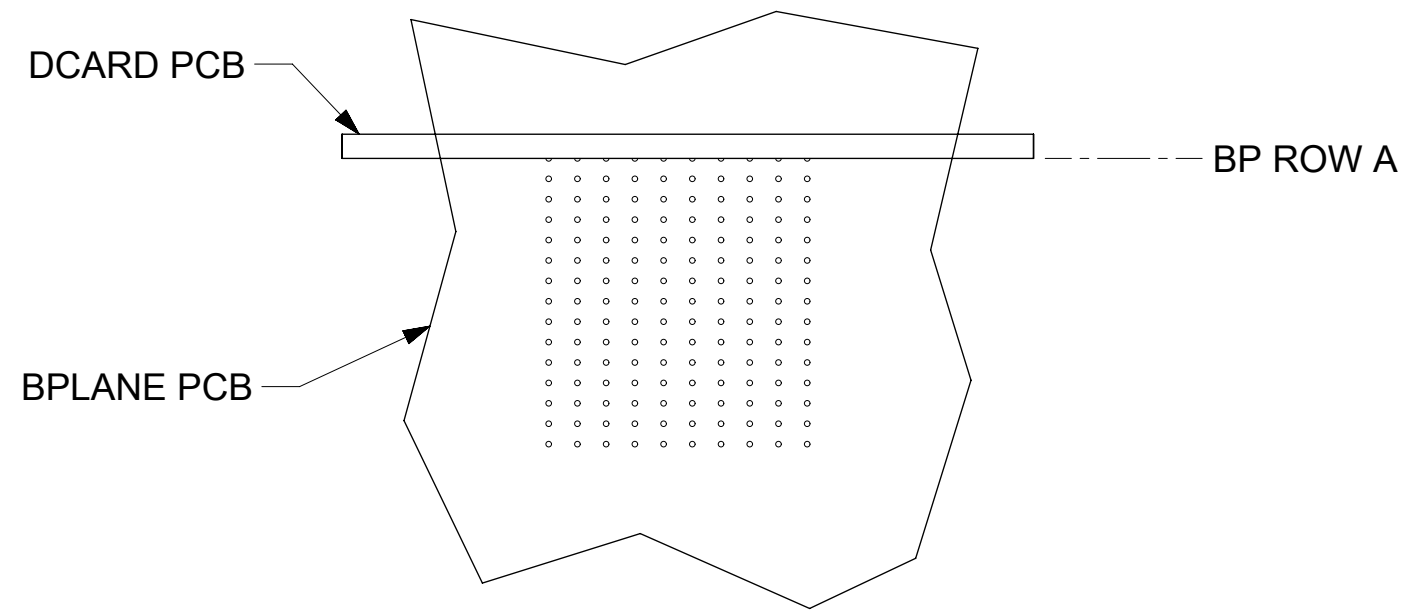
MODULE TYPE
1 = UNGUIDED, MATTE TIN

OF COLUMNS
1 = 10 COL
2 = 12 COL
6 = 16 COL
8 = 8 COL

P=PIN LENGTH
3 = 4.50 (SHORT COMPLIANT, 0.46±0.05 PTH)
4 = 4.90 (SHORT COMPLIANT, 0.46±0.05 PTH)
5 = 5.50 (SHORT COMPLIANT, 0.46±0.05 PTH)
6 = 4.50 (MICRO COMPLIANT, 0.39±0.05 PTH)
7 = 4.90 (MICRO COMPLIANT, 0.39±0.05 PTH)
8 = 5.50 (MICRO COMPLIANT, 0.39±0.05 PTH)

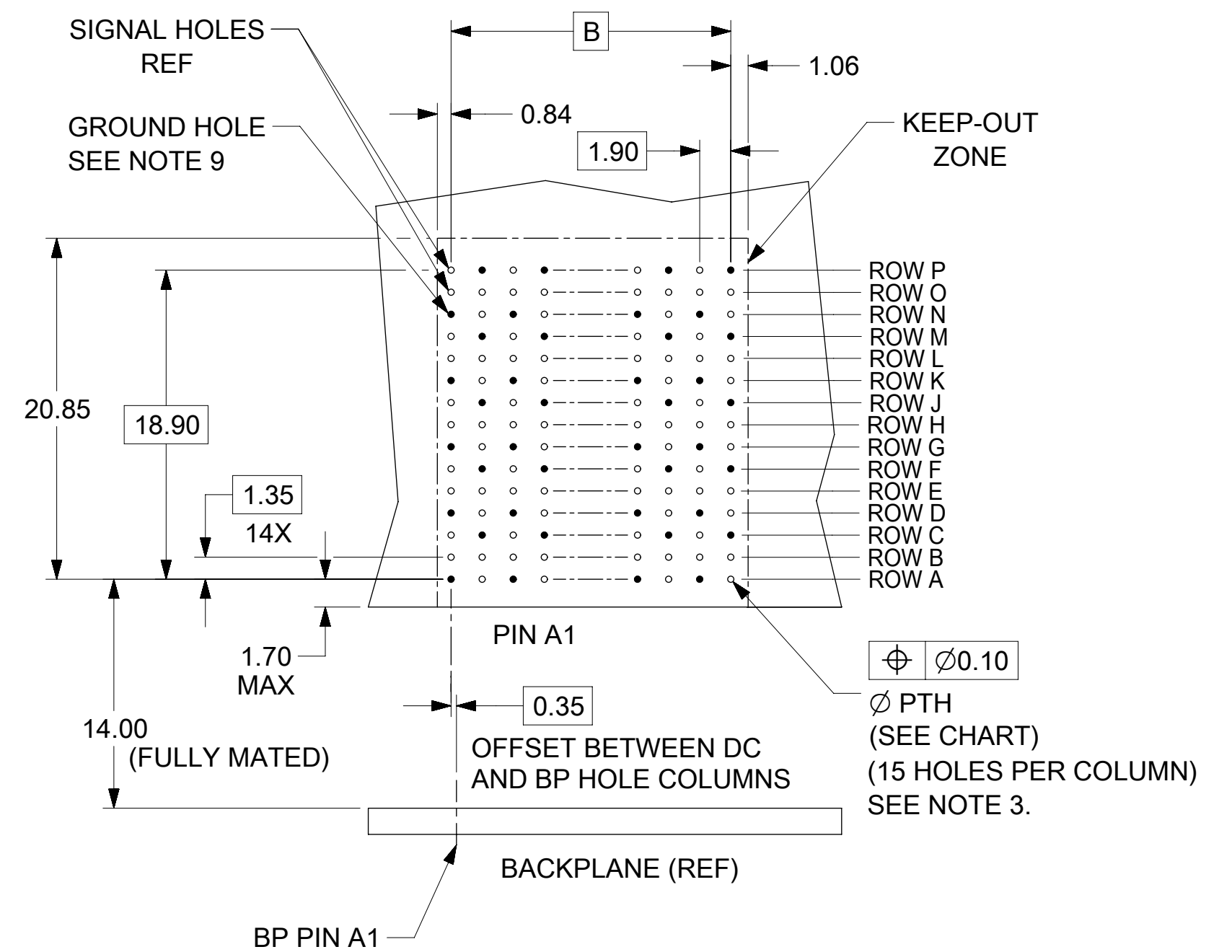
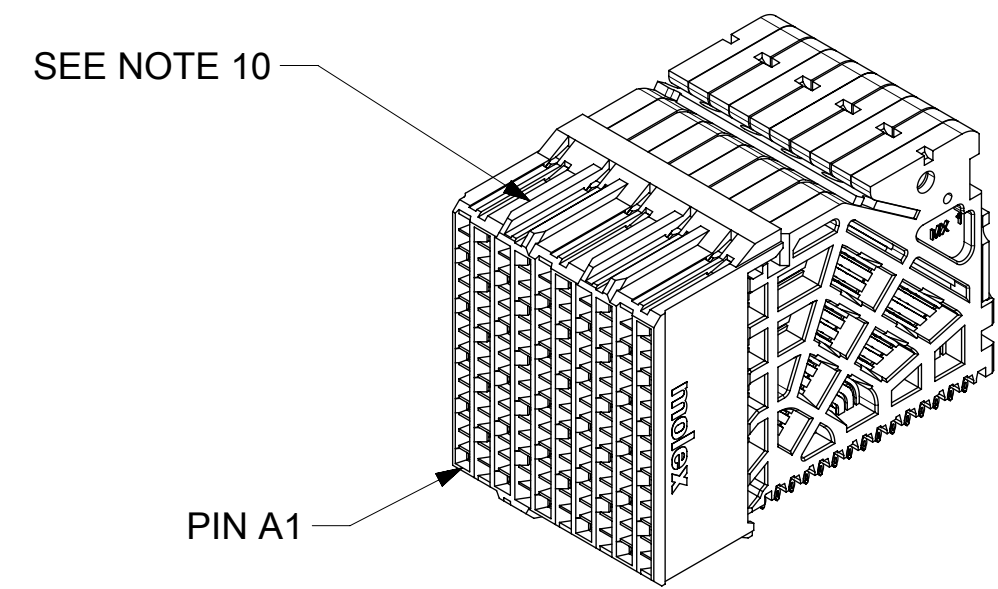
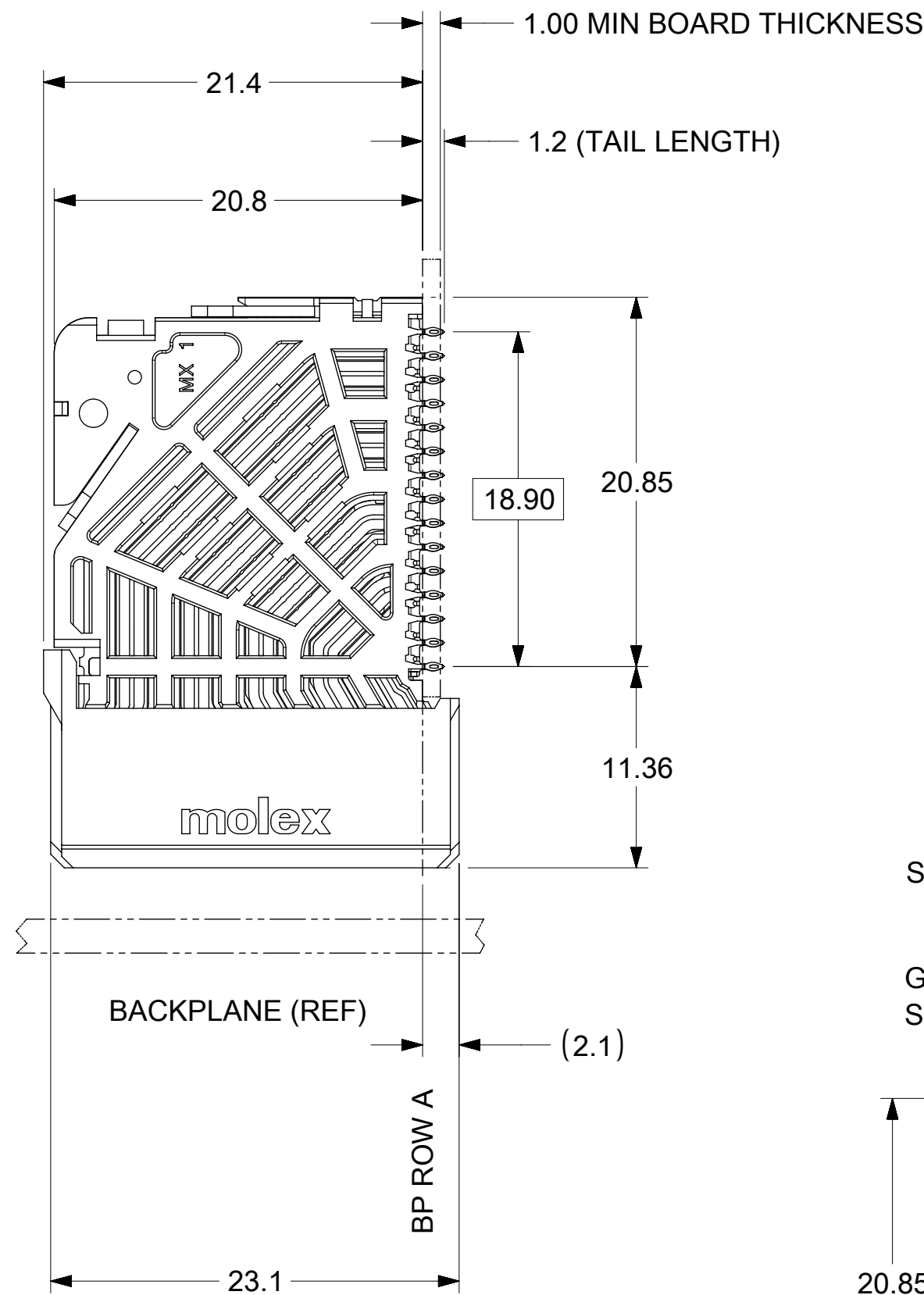
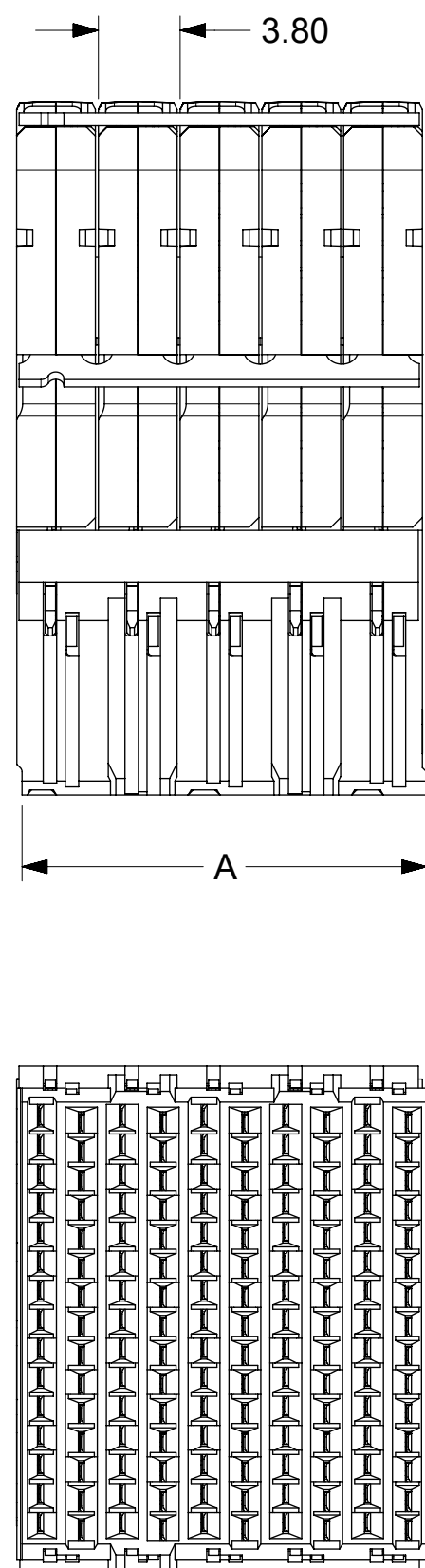
ENDWALL OPTIONS
0 = OPEN ENDS
1 = LEFT END WALL
2 = DUAL END WALL
3 = RIGHT END WALL

IMPACT 5 PAIR BOARD RELATIONSHIPS



THIS DRAWING CONTAINS INFORMATION THAT IS PROPRIETARY TO MOLEX ELECTRONIC TECHNOLOGIES, LLC AND SHOULD NOT BE USED WITHOUT WRITTEN PERMISSION

MIGRATED TO NX EC NO: 168852 DRWN: NVELUSAMY CHKD: CD REV / APPR: GGA	2017/10/24	2017/11/30	2017/12/01	GENERAL TOLERANCES (UNLESS SPECIFIED)	DIMENSION UNITS	SCALE		
	ANGULAR TOL ± 2.0 °			MM	3:1	DRWN BY JBINGHAM DATE 2010/05/18		
	4 PLACES ±			CHK'D BY JLAURX DATE 2010/05/18				
	3 PLACES ±			APPR BY JLAURX DATE 2013/05/21				
2 PLACES ± 0.13			DRAWING SIZE	THIRD ANGLE PROJECTION	SERIES	MATERIAL NUMBER	CUSTOMER	
1 PLACE ± 0.25			C		170475	SEE CHART	GENERAL MARKET	
0 PLACES ±			DRAFT WHERE APPLICABLE MUST REMAIN WITHIN DIMENSIONS		DOCUMENT NUMBER	DOC TYPE	DOC PART	SHEET NUMBER
					SD-170475-0001	PSD	001	3 OF 3



**DAUGHTERCARD HOLE PATTERN
(CONNECTOR SIDE)**

NOTES:

1. MATERIALS: HOUSING - LIQUID CRYSTAL POLYMER (LCP), GLASS-FILLED, UL94V-0
TERMINALS - HIGH PERFORMANCE COPPER ALLOY
2. FINISH: 30µIN MIN GOLD IN CONTACT AREA. SELECTIVE TIN
ON PCB TAILS. NICKEL OVERALL.
3. REFER TO MOLEX PRODUCT SPEC PS-170540-999 FOR PERFORMANCE SPECIFICATIONS
AND ADDITIONAL PCB INFORMATION.
4. EACH SIGNAL WAFER CONTAINS 2 COLUMNS OF TERMINALS.
5. PRODUCT IS PACKAGED PER PK-70873-611.
6. THIS PART CONFORMS TO CLASS B REQUIREMENTS OF COSMETIC SPEC PS-45499-002.
7. REFER TO MOLEX SALES DRAWING SD-170475-0001 AND RSD-170472-XXXX FOR THE
MATING HEADERS.
8. REFER TO MOLEX PCB MOUNTING GUIDE AS-76060-990 FOR ANTIPAD AND ROUTING
RECOMMENDATIONS.
9. GROUND PATHS ARE NOT DISCRETE CIRCUITS WITHIN CONNECTOR DUE TO
PRESENCE OF PLUS CLIP.
10. PART NUMBER 170480-1020 SHOWN ON DRAWING. KEYING FEATURES WILL CHANGE
WITH COLUMN SIZE.
11. MINIMUM BOARD THICKNESS IS 1.00 mm FOR COMPLIANT PIN FUNCTIONALITY.

THIS DRAWING CONTAINS INFORMATION THAT IS PROPRIETARY TO MOLEX ELECTRONIC TECHNOLOGIES, LLC AND SHOULD NOT BE USED WITHOUT WRITTEN PERMISSION									
DIMENSION UNITS		SCALE		CURRENT REV DESC: MIGRATED TO NX					
mm		NTS		<p>IMPACT 5 PAIR PLUS 85OHM DAUGHTERCARD SIGNAL UNGUIDED SALES DRAWING</p> <p>PRODUCT CUSTOMER DRAWING</p>					
GENERAL TOLERANCES (UNLESS SPECIFIED)									
ANGULAR TOL ± 0.5°									
4 PLACES ±									
3 PLACES ±									
2 PLACES ± 0.13				EC NO: 612222		DRWN: BREVANSIDDAB 2018/11/14		<p>DOCUMENT NUMBER</p> <p>SD-170480-0001</p>	
1 PLACE ± 0.25				CHK'D: TMARRI 2019/02/19		APPR: BOKOK 2019/02/20			
0 PLACES ±				INITIAL REVISION:		DRWN: JLAURX 2010/09/28		DOC PART	
DRAFT WHERE APPLICABLE MUST REMAIN WITHIN DIMENSIONS				APPR: JLAURX 2010/10/19		SERIES		REVISION	
THIRD ANGLE PROJECTION				DRAWING		SERIES		SHEET NUMBER	
C-SIZE				170480		MATERIAL NUMBER		CUSTOMER	
SEE TABLE				GENERAL MARKET		1 OF 2			

DOCUMENT STATUS	P1	RELEASE DATE	2019/02/20	10:38:10
-----------------	----	--------------	------------	----------

MATERIAL NUMBER	# OF COLUMNS	# OF DIFF PAIR	DIM "A" MAX	DIM "B"	PTH ϕ
170480-1008	8	40	15.20	13.30	0.46 ± 0.05
170480-1010	10	50	19.00	17.10	
170480-1012	12	60	22.80	20.90	
170480-1016	16	80	30.40	28.50	
170480-1038	8	50	15.20	13.30	0.39 ± 0.05
170480-1020	10	50	19.00	17.10	
170480-1022	12	60	22.80	20.90	
170480-1026	16	80	30.40	28.50	

170480-10**

MODULE & TAIL PLATING TYPE
1 = UNGUIDED, LEAD-FREE

OF COLUMNS
 08 = 8 COL 0.46 PTH
 10 = 10 COL 0.46 PTH
 12 = 12 COL 0.46 PTH
 16 = 16 COL 0.46 PTH

 38 = 8 COL 0.39 PTH
 20 = 10 COL 0.39 PTH
 22 = 12 COL 0.39 PTH
 26 = 16 COL 0.39 PTH

THIS DRAWING CONTAINS INFORMATION THAT IS PROPRIETARY TO MOLEX ELECTRONIC TECHNOLOGIES, LLC AND SHOULD NOT BE USED WITHOUT WRITTEN PERMISSION									
DIMENSION UNITS		SCALE		CURRENT REV DESC: MIGRATED TO NX				molex	
mm		NTS							
GENERAL TOLERANCES (UNLESS SPECIFIED)				EC NO: 612222				IMPACT 5 PAIR PLUS 85OHM DAUGHTERCARD SIGNAL UNGUIDED SALES DRAWING	
ANGULAR TOL $\pm 0.5^\circ$				DRWN: BREVANSIDDAB 2018/11/14					
4 PLACES \pm				CHK'D: TMARRI 2019/02/19					
3 PLACES \pm				APPR: BOKOK 2019/02/20				PRODUCT CUSTOMER DRAWING	
2 PLACES ± 0.13				INITIAL REVISION:				DOCUMENT NUMBER	
1 PLACE ± 0.25				DRWN: JLAURX 2010/09/28				SD-170480-0001	
0 PLACES \pm				APPR: JLAURX 2010/10/19				DOC TYPE DOC PART REVISION	
DRAFT WHERE APPLICABLE MUST REMAIN WITHIN DIMENSIONS				THIRD ANGLE PROJECTION		DRAWING		SHEET NUMBER	
						C-SIZE		2 OF 2	
				SERIES		MATERIAL NUMBER		CUSTOMER	
				170480		SEE TABLE		GENERAL MARKET	

DOCUMENT STATUS	P1	RELEASE DATE	2019/02/20	10:38:10
-----------------	----	--------------	------------	----------