



M5STACK

Glass Unit w/ 1.51inch Transparent OLED

SKU: U158



Description

Unit Glass is a **1.51-inch transparent OLED** expansion screen unit. It adopts **STM32+SSD1309** driver scheme, **resolution is 128*64**, monochrome display, **transparent area is 128*56**. The MCU adopts **STM32F030F4P6**, which integrates **two input buttons** and **one way buzzer** to facilitate user interaction with the screen, and supports control and firmware upgrade through I2C (addr: **0x3C**) communication interface. This transparent OLED screen extension is suitable for embedding in various **home products** or **various control devices as a display panel**.

Features

- 128x56 transparent pixels (128x64 total pixels)
- Display area 35.5 x 18mm
- Glass area 42mm x 27.16mm
- 1-bit color depth
- I2C operation
- I2C Addresses: 0x3C
- Support for programming platforms: Arduino、UIFlow

Includes

- 1x Unit Glass

Applications

- Home products
- DIY toys

Specification

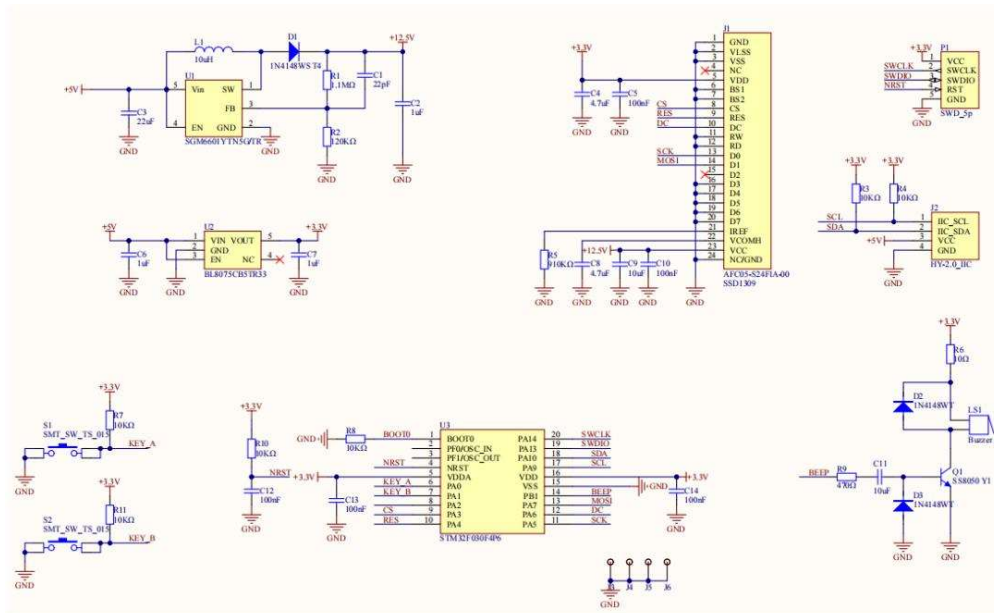
| Resources | Parameters |
|-----------------------|----------------------------|
| MCU | STM32F030F4P6 |
| Screen | 1.51 inch transparent OLED |
| resolution | 128*64 |
| Display color | blue |
| Display area | 35.05*18 (mm) |
| Panel size | 42.04*27.16*1.25 (mm) |
| Perspective direction | Full view |
| Operating temperature | 0-40°C |
| Logic voltage | 3.3V |
| I2C address | 0x3C |
| Product Size | 53*42*2.3mm |
| Package Size | 136mm × 92mm × 13mm |
| Product Weight | 10g |
| Package Weight | 15.2g |



Related Link

- [STM32F030F4P6 Datasheet](#)
- [SSD1309 Driver](#)
- [12864 Transparent OLED](#)

Schematic



Module Size

