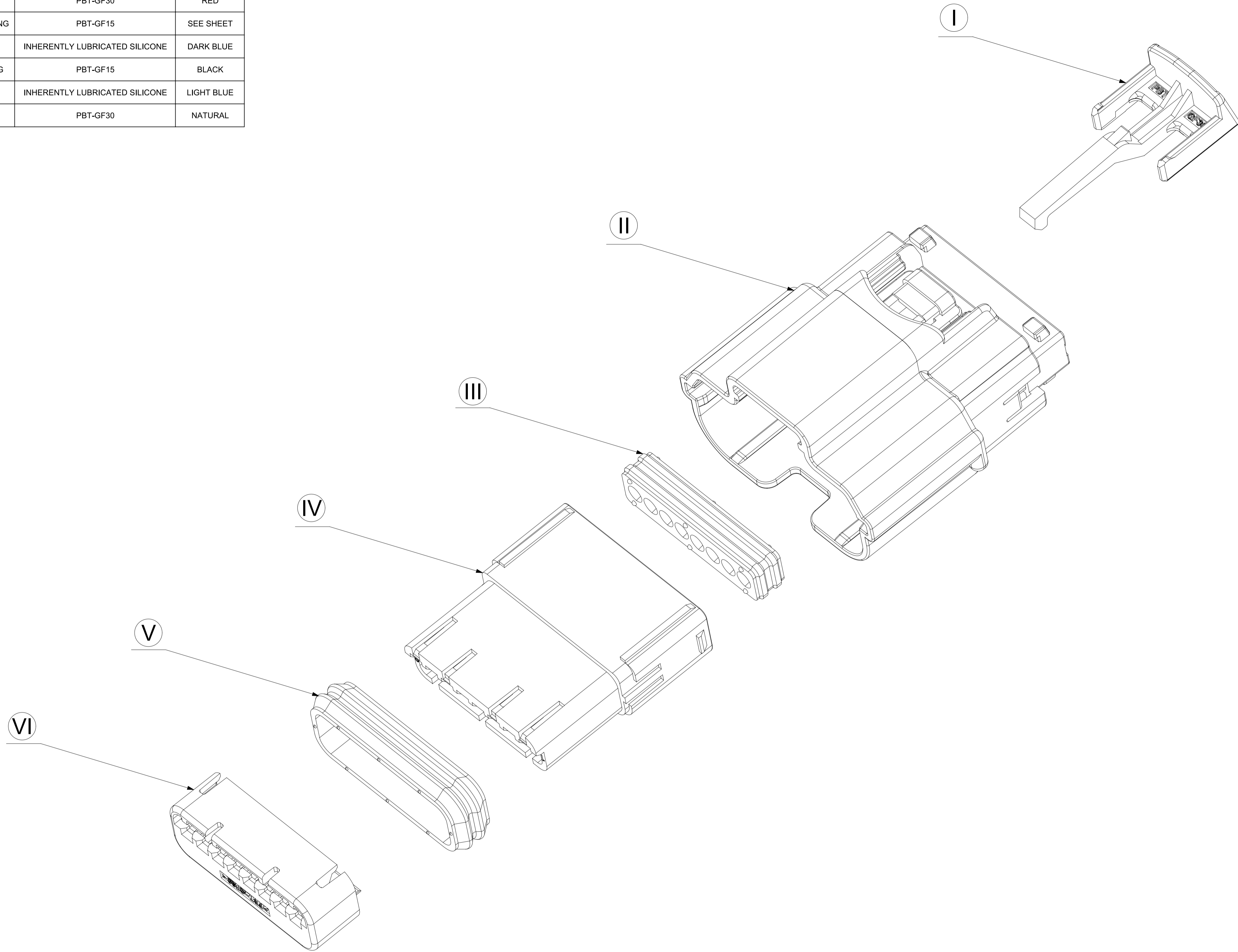


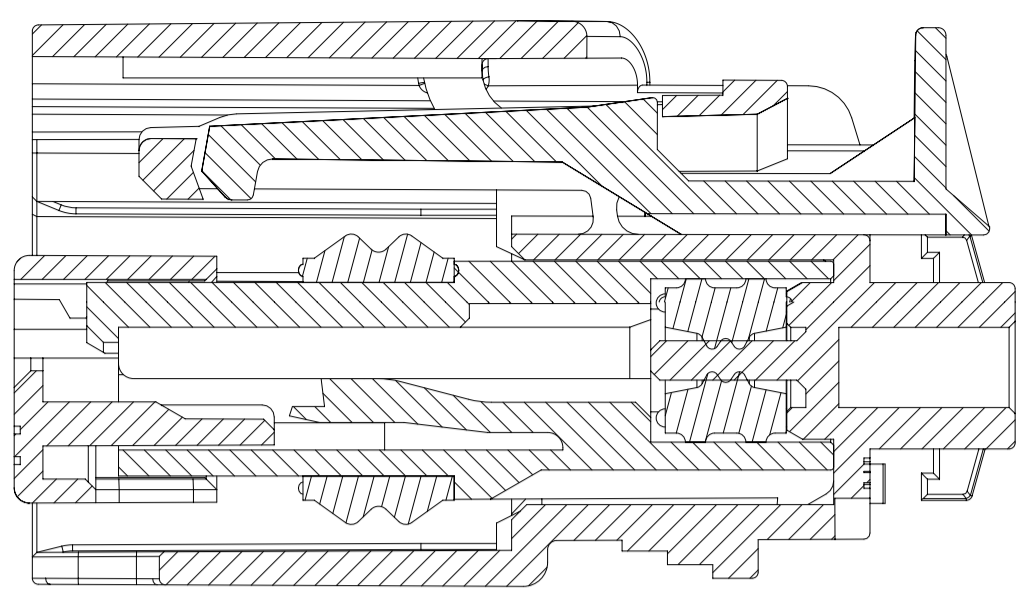
SHEET DESCRIPTION	
BOM	

ITEM NO.	DESCRIPTION	MATERIAL	COLOR
I	CPA	PBT-GF30	RED
II	CONNECTOR HOUSING	PBT-GF15	SEE SHEET
III	MATTE SEAL	INHERENTLY LUBRICATED SILICONE	DARK BLUE
IV	TERMINAL HOUSING	PBT-GF15	BLACK
V	PERIPHERAL SEAL	INHERENTLY LUBRICATED SILICONE	LIGHT BLUE
VI	TPA	PBT-GF30	NATURAL

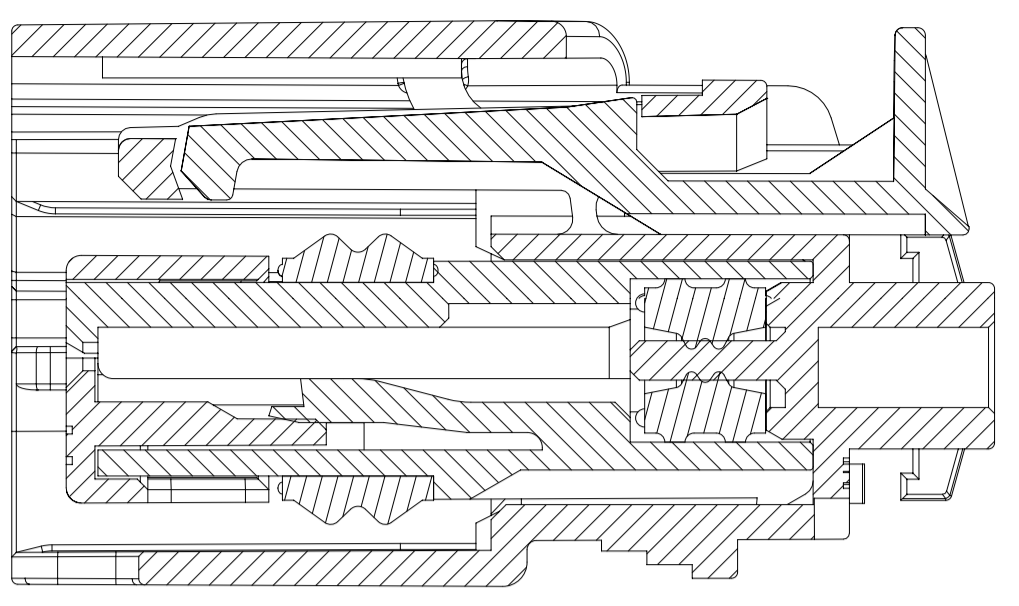


SYMBOLS = 0 = 0 = 0 = 0 = 0 = 0 = 0 = 0 = 0	THIS DRAWING CONTAINS INFORMATION THAT IS PROPRIETARY TO MOLEX ELECTRONIC TECHNOLOGIES, LLC AND SHOULD NOT BE USED WITHOUT WRITTEN PERMISSION		CURRENT REV DESC: EC NO: CO-000000853 DRWN: Yan Allen 15-Apr-2022 CHK'D: Fiona Chen 15-Apr-2022 APPR: Colin Zhang 20-Apr-2022		 USCAR 0.64MM 8 WAY ADD NEW P/N: 314049184/9194					
	DIMENSION UNITS: mm SCALE: 4:1	GENERAL TOLERANCES (UNLESS SPECIFIED) ANGULAR TOL ± 0.5°		INITIAL REVISION: DRWN: Yan Allen 14-Feb-2022 APPR: David Xie 24-Feb-2022						
DRAFT WHERE APPLICABLE MUST REMAIN WITHIN DIMENSIONS			THIRD ANGLE PROJECTION	DRAWING: A1-SIZE	SERIES: 31404	DOCUMENT NUMBER: SD-31404-811	DOC TYPE: PSD	DOC PART: 001	REVISION: G12	
DOCUMENT STATUS: Approved			RELEASE DATE: 20-Apr-2022 01:31:59		MATERIAL NUMBER:		CUSTOMER: GENERAL MARKET		SHEET NUMBER: 2 OF 4	

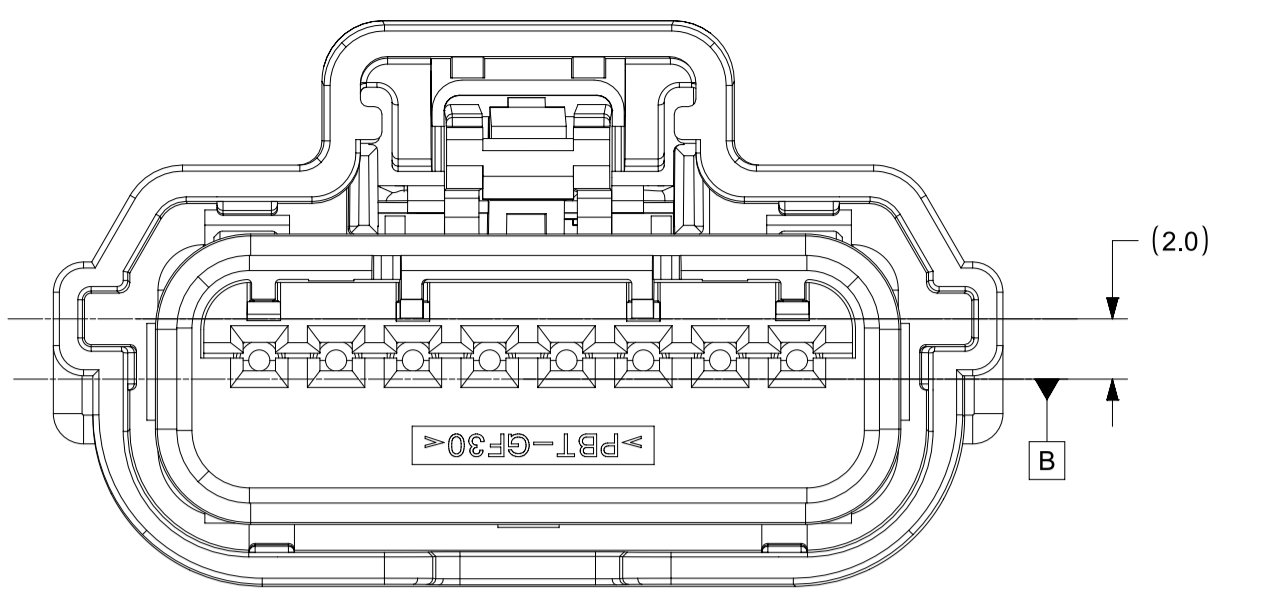
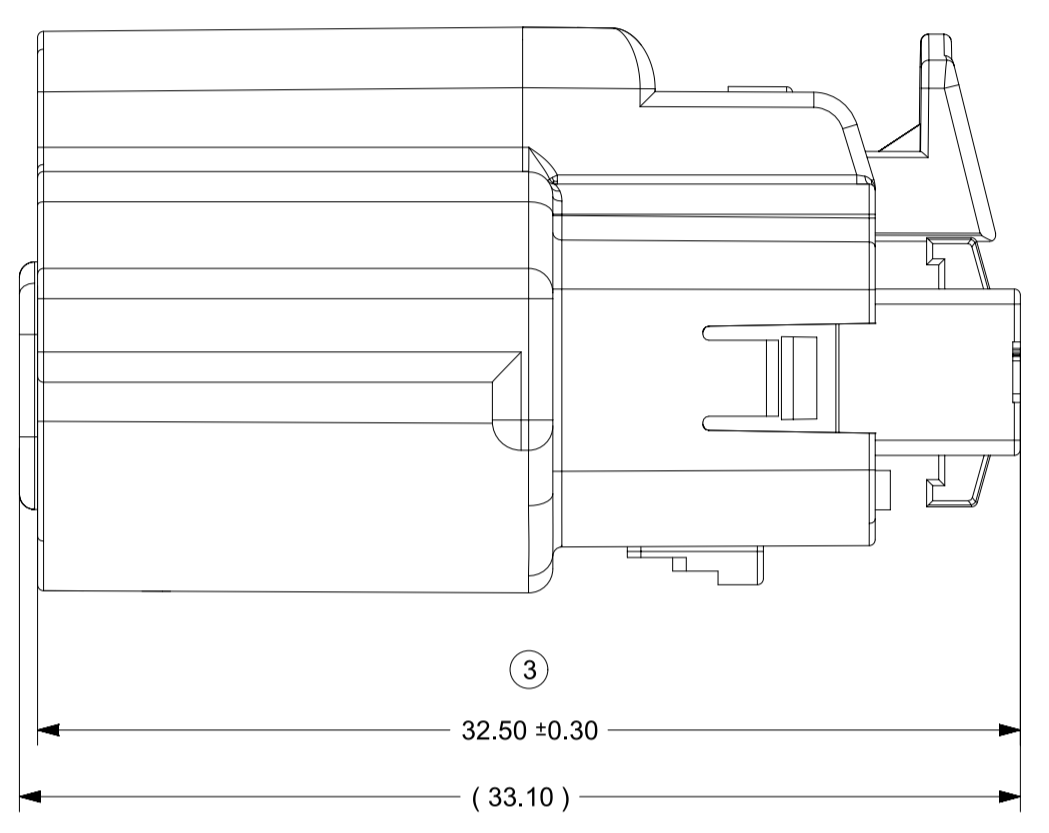
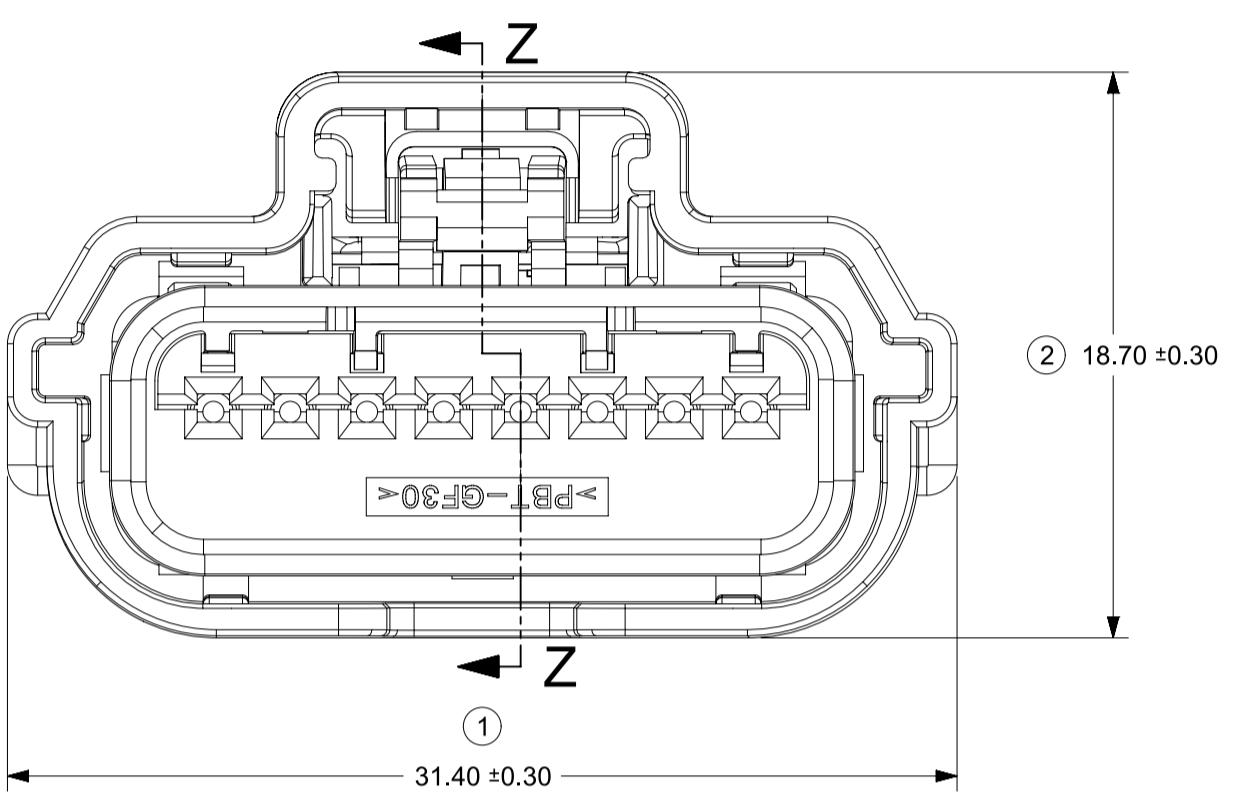
SHEET DESCRIPTION
KEY CONFIGURATIONS



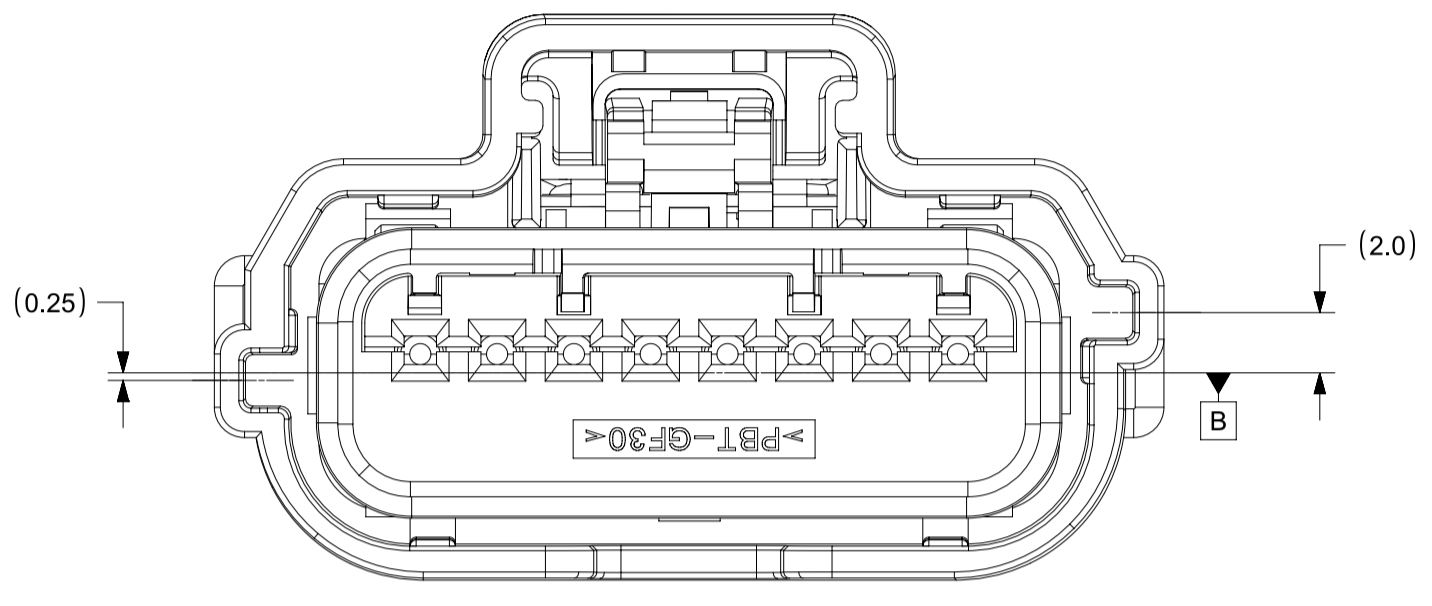
SECTION Z-Z
TPA SHOWN IN AS-SHIPPED
PRE-SET POSITION
SEE NOTE 1-a



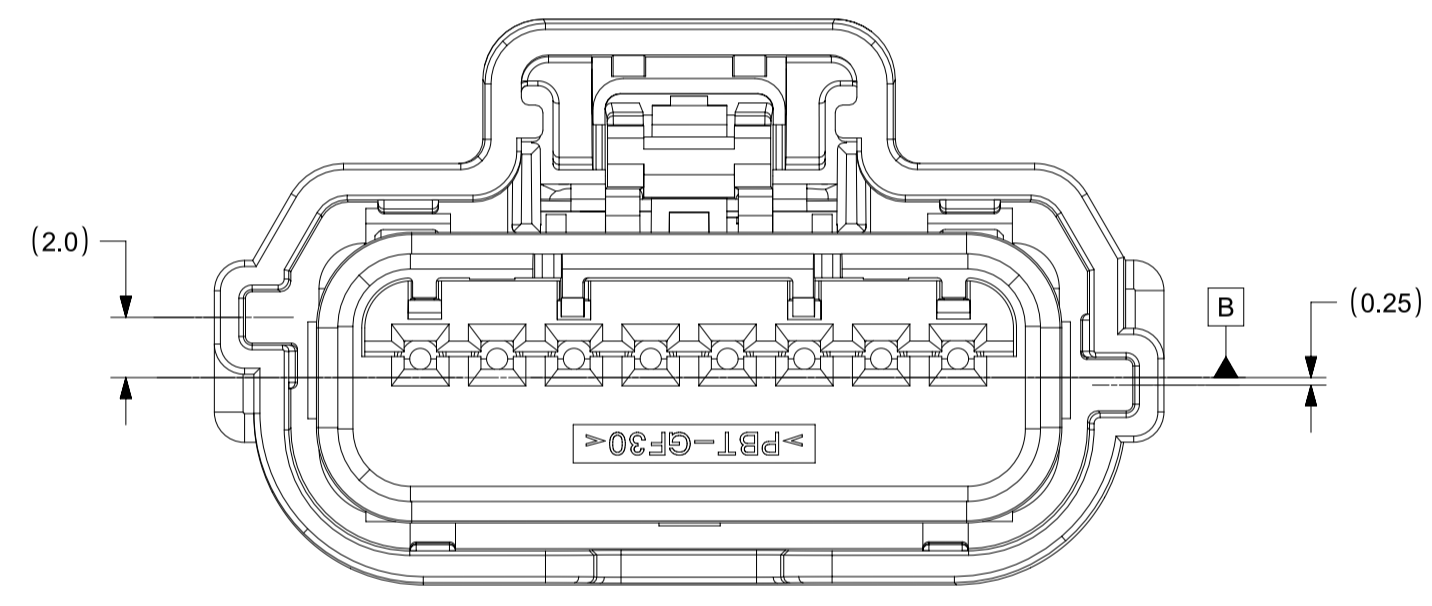
SECTION Y-Y
TPA SHOWN IN FINAL
LOCK POSITION
SEE NOTE 1-a



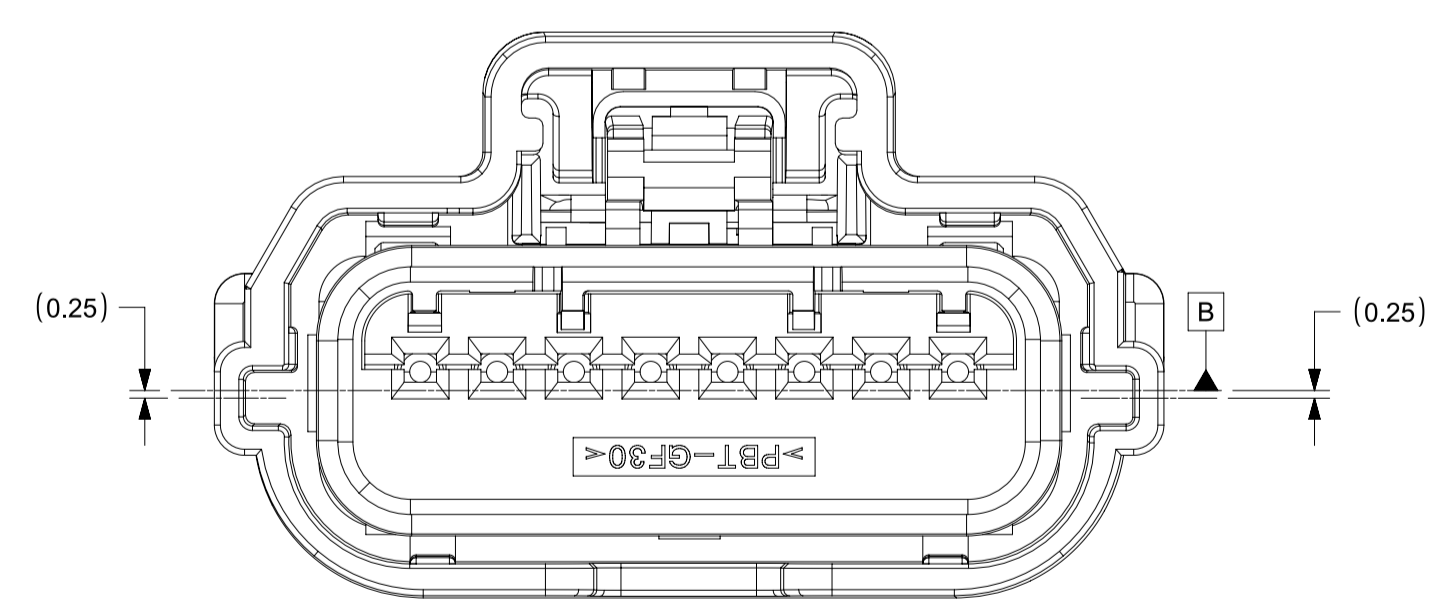
POLARIZATION A



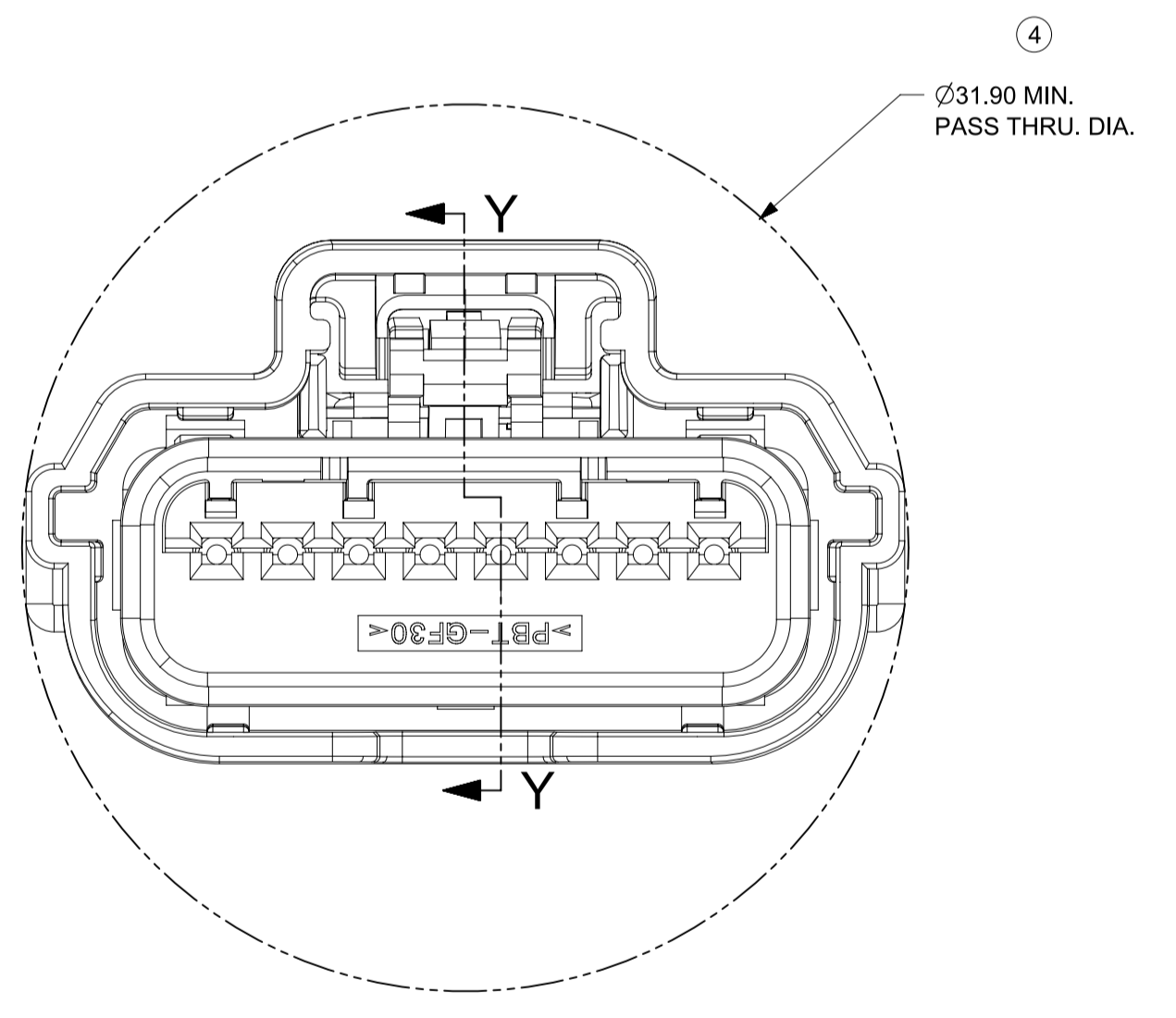
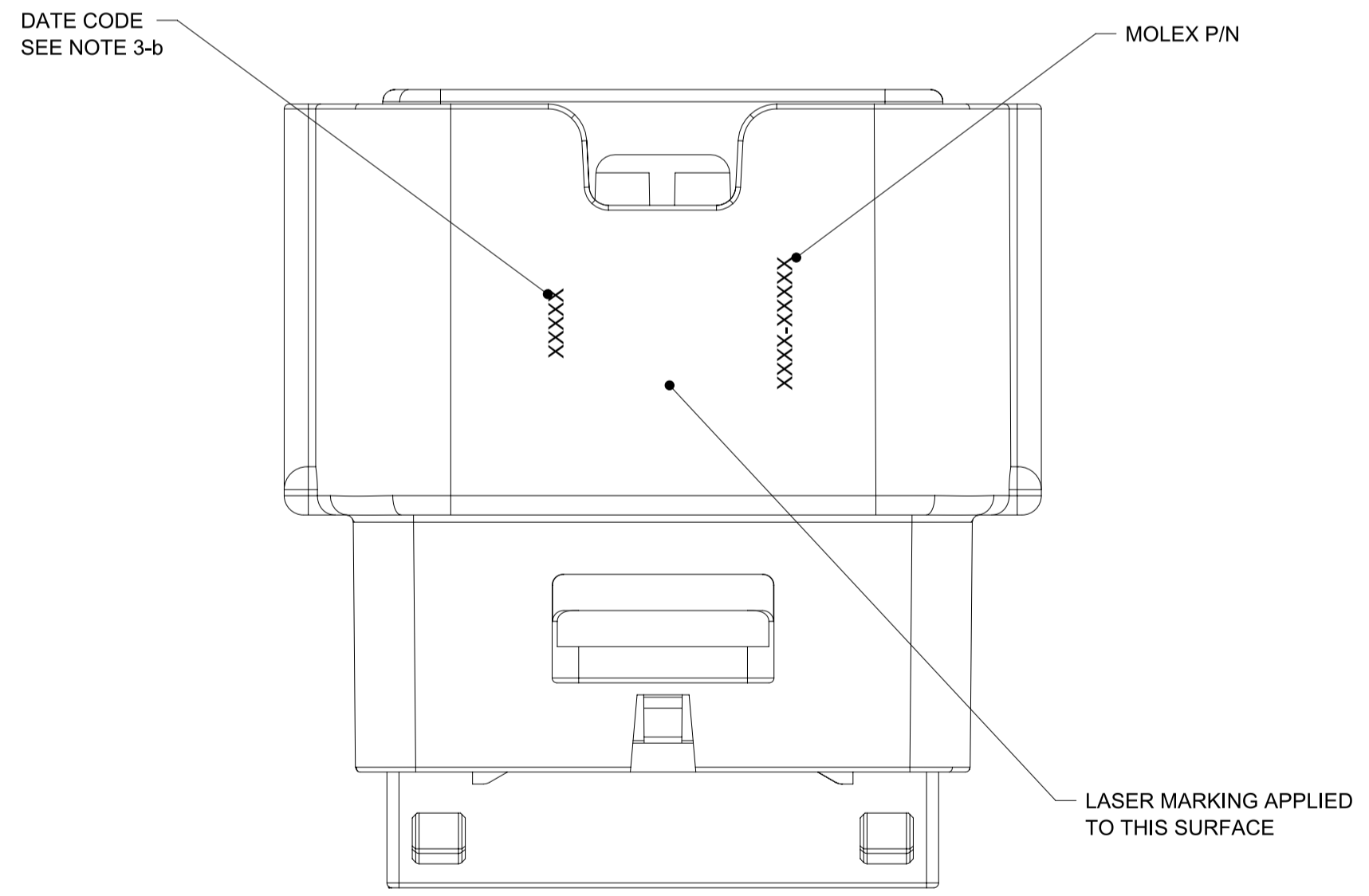
POLARIZATION B



POLARIZATION C

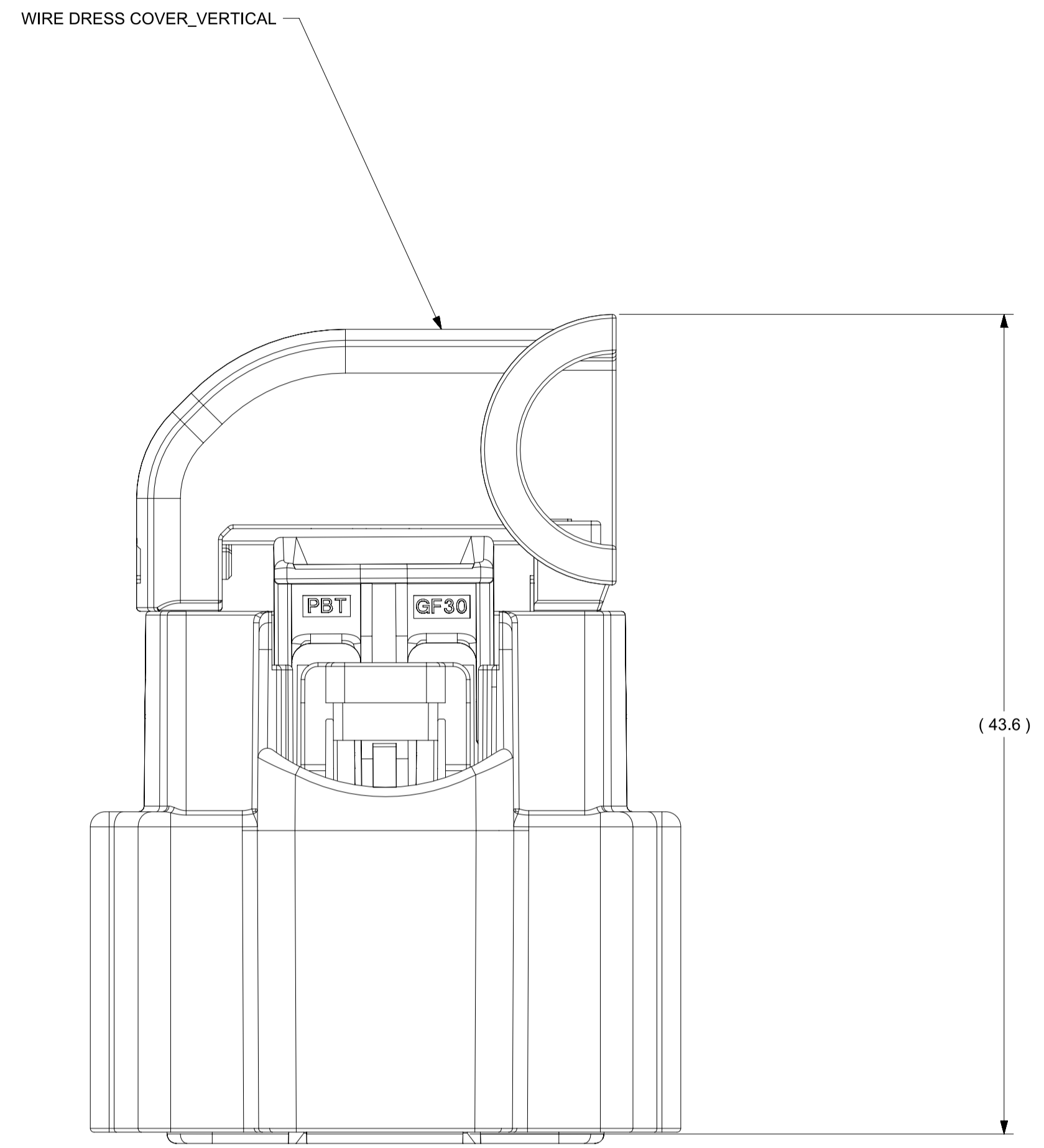
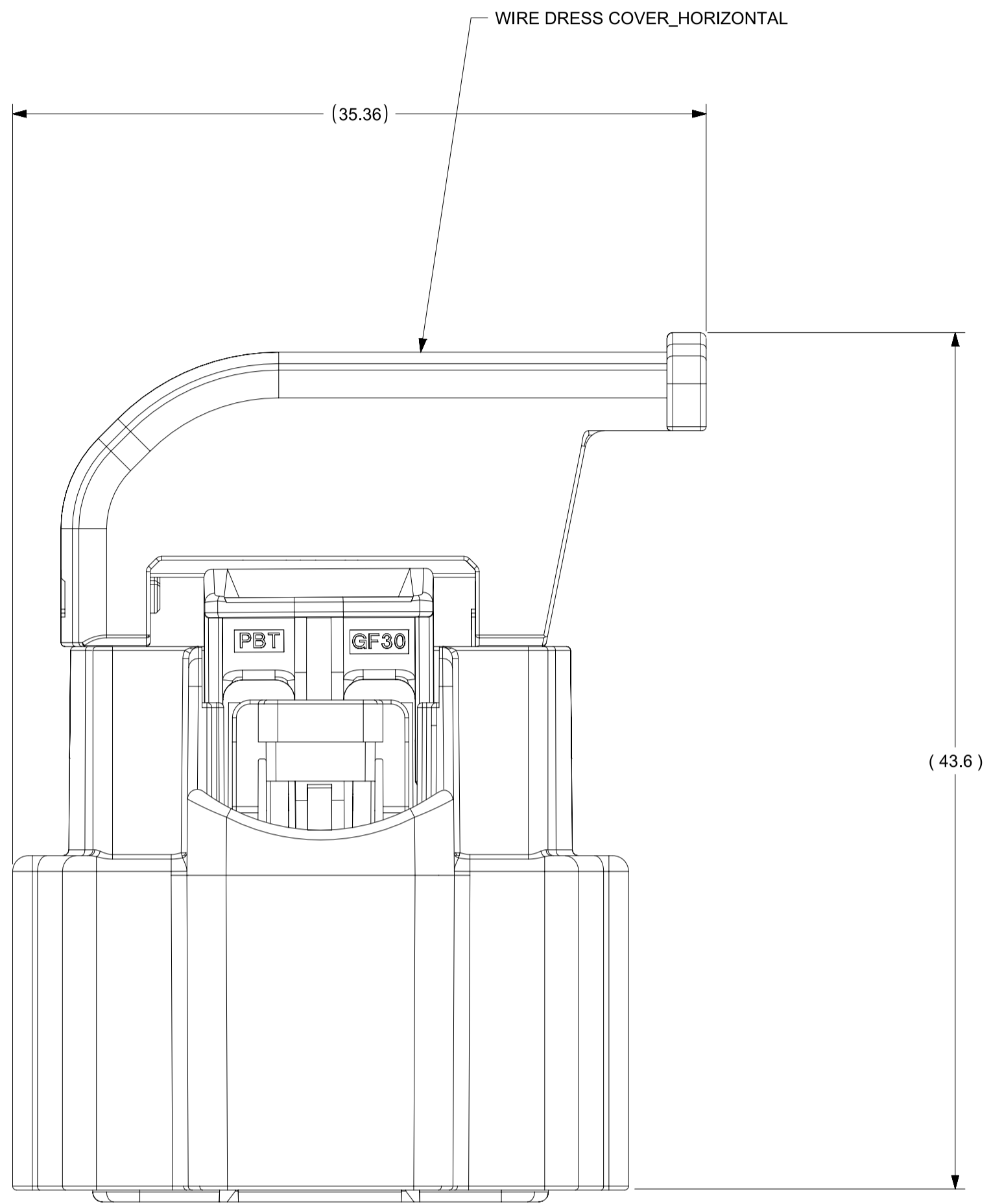


POLARIZATION D



SYMBOLS	THIS DRAWING CONTAINS INFORMATION THAT IS PROPRIETARY TO MOLEX ELECTRONIC TECHNOLOGIES, LLC AND SHOULD NOT BE USED WITHOUT WRITTEN PERMISSION		CURRENT REV DESC:			molex			
	DIMENSION UNITS	SCALE							EC NO: CO-000000853
▽ = 0	mm	4:1	GENERAL TOLERANCES (UNLESS SPECIFIED)			PRODUCT SALES DRAWING			
▽ = 0	ANGULAR TOL ± 0.5°		4 PLACES ± 0	CHK'D: Fiona Chen	15-Apr-2022	DOCUMENT NUMBER	DOC TYPE	DOC PART	REVISION
▽ = 0	3 PLACES ± 0		2 PLACES ± 0	APPR: Colin Zhang	20-Apr-2022	SD-31404-811	PSD	001	G12
▽ = 0	2 PLACES ± 0		1 PLACE ± 0	INITIAL REVISION:		MATERIAL NUMBER			
▽ = 0	1 PLACE ± 0		0 PLACES ± 0	DRWN: Yan Allen	14-Feb-2022	CUSTOMER		SHEET NUMBER	
▽ = 0	0 PLACES ± 0		DRAFT WHERE APPLICABLE MUST REMAIN WITHIN DIMENSIONS			GENERAL MARKET		3 OF 4	
⊕	THIRD ANGLE PROJECTION	DRAWING	SERIES	A1-SIZE		31404			

SHEET DESCRIPTION
WIRE DRESS COVER ASSEMBLY



SYMBOLS	THIS DRAWING CONTAINS INFORMATION THAT IS PROPRIETARY TO MOLEX ELECTRONIC TECHNOLOGIES, LLC AND SHOULD NOT BE USED WITHOUT WRITTEN PERMISSION		
	DIMENSION UNITS	SCALE	CURRENT REV DESC:
▽ = 0	mm	4:1	EC NO: CO-000000853 DRWN: Yan Allen 15-Apr-2022 CHK'D: Fiona Chen 15-Apr-2022 APPR: Colin Zhang 20-Apr-2022
▽ = 0	GENERAL TOLERANCES (UNLESS SPECIFIED)		
▽ = 0	ANGULAR TOL ± 0.5°		INITIAL REVISION: DRWN: Yan Allen 14-Feb-2022 APPR: David Xie 24-Feb-2022
▽ = 0	4 PLACES	± 0	
▽ = 0	3 PLACES	± 0	DOCUMENT NUMBER SD-31404-811
▽ = 0	2 PLACES	± 0	
▽ = 0	1 PLACE	± 0	DOC TYPE PSD
☒ = 0	0 PLACES	± 0	DOC PART 001
■ = 0	DRAFT WHERE APPLICABLE MUST REMAIN WITHIN DIMENSIONS		REVISION G12
▽ = 0	THIRD ANGLE PROJECTION	DRAWING	MATERIAL NUMBER
		A1-SIZE	CUSTOMER
		SERIES	SHEET NUMBER
		31404	GENERAL MARKET
			4 OF 4