

RC-12P2N122300 - Device connector front mounting



1597897

<https://www.phoenixcontact.com/us/products/1597897>

Please be informed that the data shown in this PDF document is generated from our online catalog. Please find the complete data in the user documentation. Our general terms of use for downloads are valid.



M23, Device connector front mounting, series: RC, straight, shielded: yes, Screw locking mechanism, No. of pos.: 12, Direction of rotation: Counter direction, contact connection type: Pin, Solder cup, Flat gasket, 4x Ø 3.2, coding: N, Alternative product in accordance with RoHS II without Exemption 6c (Pb <0.1%) item no.: 1240890

Commercial data

Item number	1597897
Packing unit	1 pc
Minimum order quantity	1 pc
Note	Made to order (non-returnable)
Sales key	AB31
Product key	ABRAFL
GTIN	4046356218337
Weight per piece (including packing)	33.06 g
Weight per piece (excluding packing)	33.06 g
Customs tariff number	85366990
Country of origin	DE

RC-12P2N122300 - Device connector front mounting



1597897

<https://www.phoenixcontact.com/us/products/1597897>

Technical data

Product properties

Product type	Circular connectors (device side)
--------------	-----------------------------------

Connector

Insulating body

Coding	N
Insertion/withdrawal cycles	50
Connection method	Solder cup
Contact switching type	Pin
Application	Signal
Number of positions	12
Direction of rotation	Counter direction
Connection profile	12
Contact diameter Power contacts	1 mm
Litz wire cross-section Power contacts min.	0.08 mm ²
Litz wire cross-section Power contacts max.	1 mm ²
Rated current Power contacts	8 A
Rated voltage	48 V AC 74 V DC
Rated surge voltage	1.5 kV
Overvoltage category	III
Degree of pollution	3

Housing

Housing material	Metal
Type of locking	Screw locking mechanism
Pg screw connection	none
Degree of protection (plugged in)	IP67
Thread type	M23

RC-12P2N122300 - Device connector front mounting

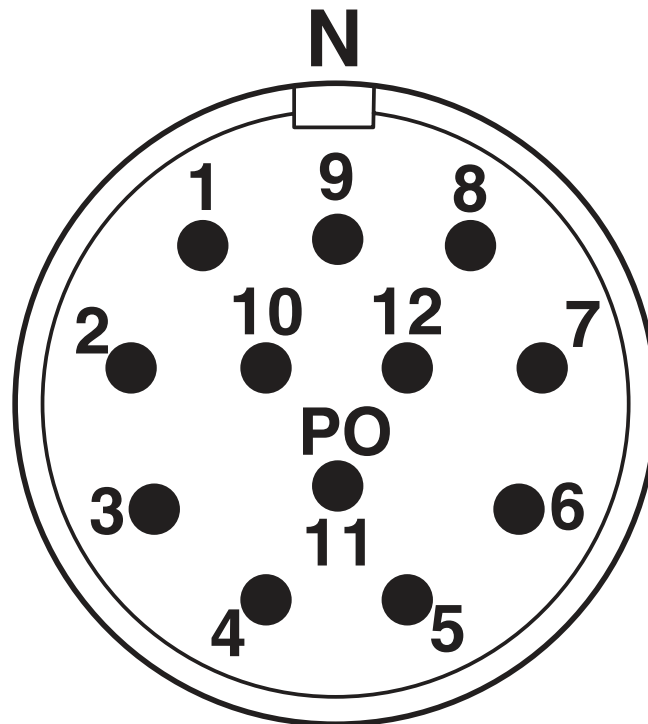
1597897

<https://www.phoenixcontact.com/us/products/1597897>



Drawings

Schematic diagram



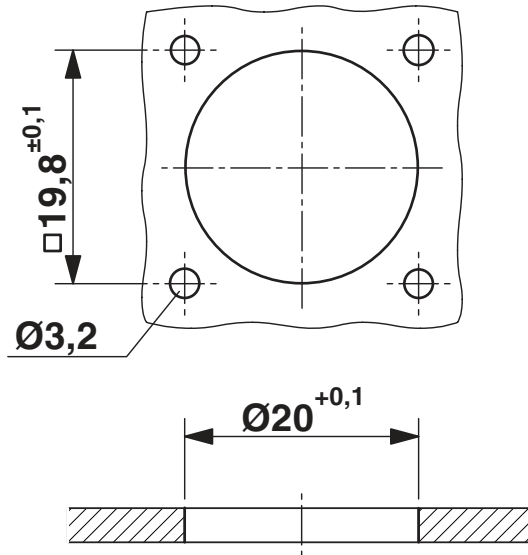
RC-12P2N122300 - Device connector front mounting



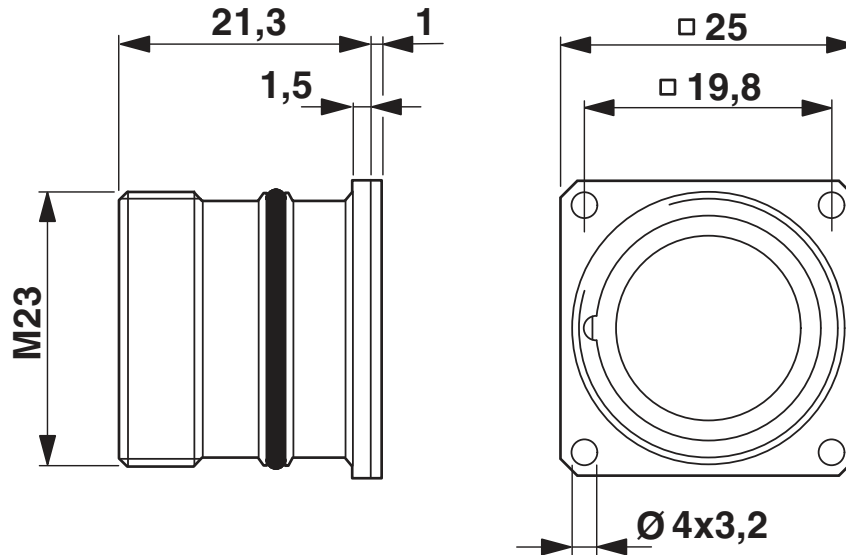
1597897

<https://www.phoenixcontact.com/us/products/1597897>

Dimensional drawing



Dimensional drawing



RC-12P2N122300 - Device connector front mounting



1597897

<https://www.phoenixcontact.com/us/products/1597897>

Classifications

ECLASS

ECLASS-11.0	27440102
ECLASS-12.0	27440116
ECLASS-13.0	27440116

ETIM

ETIM 8.0	EC002635
----------	----------

UNSPSC

UNSPSC 21.0	39121400
-------------	----------

RC-12P2N122300 - Device connector front mounting



1597897

<https://www.phoenixcontact.com/us/products/1597897>

Environmental product compliance

REACH SVHC	Lead 7439-92-1
China RoHS	Environmentally Friendly Use Period = 50 years
	For information on hazardous substances, refer to the manufacturer's declaration available under "Downloads"

Phoenix Contact 2023 © - all rights reserved

<https://www.phoenixcontact.com>

Phoenix Contact USA
586 Fulling Mill Road
Middletown, PA 17057, United States
(+717) 944-1300
info@phoenixcon.com