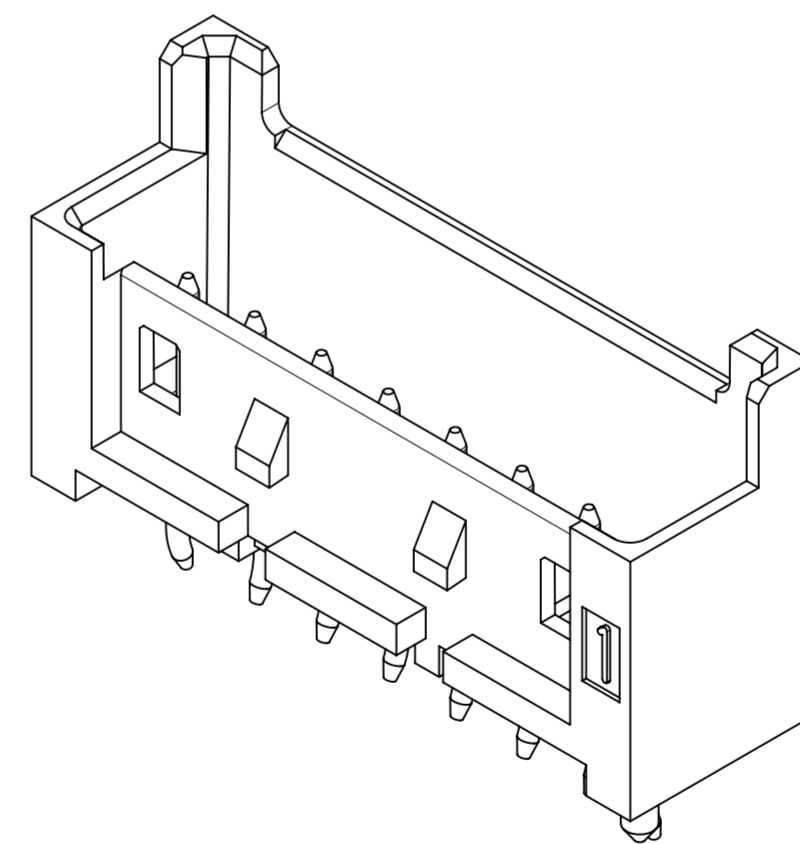


NOTES

1. 材料及び仕上げ(めっき仕様) : TABLE 1参照  
MATERIAL AND FINISHES : SEE TABLE 1
2. 製品仕様書 : 511630000-PS 000  
PRODUCT SPECIFICATION:511630000-PS 000
3. 梱包仕様書 : 534769200-SPK 200  
PACKAGING SPECIFICATION: 534769200-SPK 200
4. 嵌合相手 : 51163 シリーズ  
MATES WITH:51163 SERIES
5. アプリケーション仕様書(コネクタ取扱い説明書) : 2166940000-AS PS 000  
APPLICATION SPECIFICATION(CONNECTOR MANUAL) : 2166940000-AS PS 000
6. 偶数極に適合  
APPLY FOR EVEN CIRCUIT
7. 3極以上のキンク形状は両サイドが (A)、その他の極はすべて (B) 形状とする  
KINK FORM  
MORE THAN 2 CIRCUIT :  
PINS AT BOTH ENDS ARE KINK FORMED TO (A) .  
THE OTHER PINS ARE KINK FORMED TO (B) .
8. GLOW WIRE TEST 準拠品  
THIS PRODUCT IS GLOW WIRE TEST COMPATIBLE.

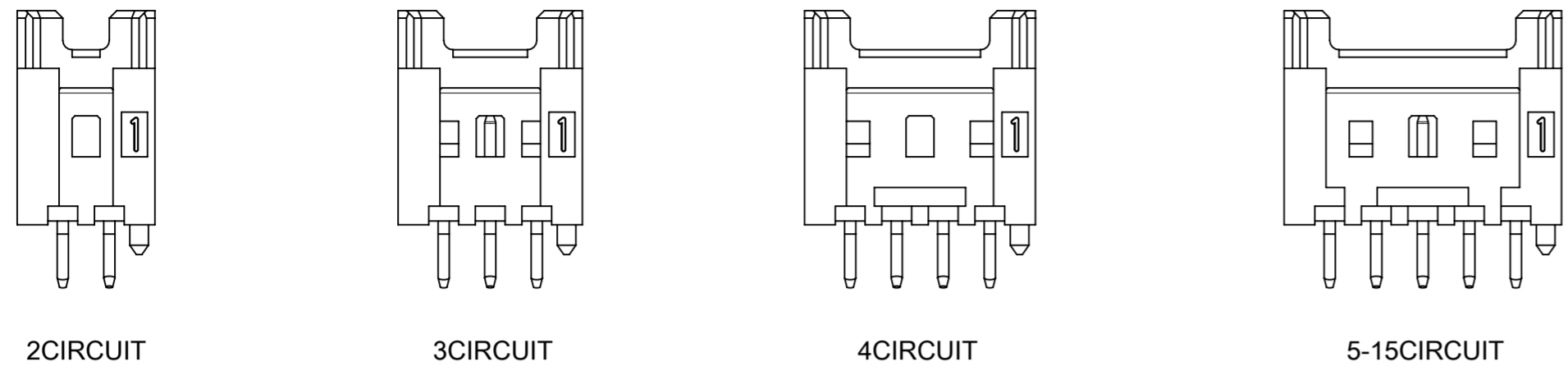


38.2	35	39.9	534761510	15
35.7	32.5	37.4	534761410	14
33.2	30	34.9	534761310	13
30.7	27.5	32.4	534761210	12
28.2	25	29.9	534761110	11
25.7	22.5	27.4	534761010	10
23.2	20	24.9	534760910	9
20.7	17.5	22.4	534760810	8
18.2	15	19.9	534760710	7
15.7	12.5	17.4	534760610	6
13.2	10	14.9	534760510	5
10.7	7.5	12.4	534760410	4
8.2	5	9.9	534760310	3
5.7	2.5	7.4	534760210	2
C	B	A	発注番号 ORDER No.	極数 CIRCUIT SIZE
			梱包形態 : ポリ袋 PACKAGE : POLY BAG	

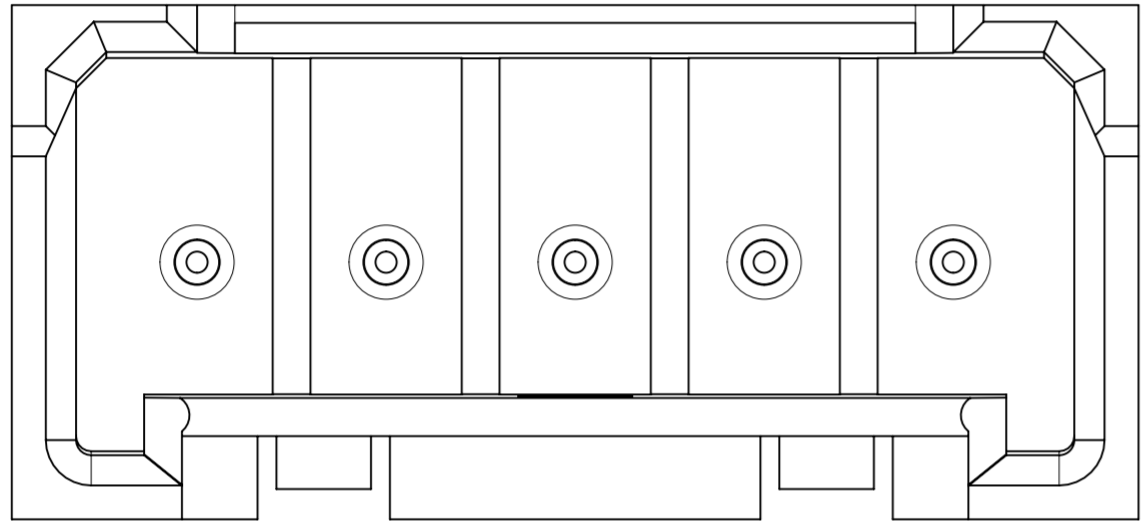
TABLE 1

部品 PART	材料 MATERIAL
① プラグハウジング PLUG HOUSING	ポリアミド, ガラス含有 UL94 V-0 色 : ナチュラル(白) POLYAMIDE(PA),GLASS FILLED,UL94 V-0,COLOR:NATURAL(WHITE)
② プラグピン PLUG PIN	りん青銅 PHOSPHOR BRONZE
	錫めっき : 1.0MICRO METER MINIMUM. TIN PLATING : 1.0MICRO METER MINIMUM. 銅めっき(下地めっき):0.5MICRO METER MINIMUM COPPER PLATING(UNDER PLATING):0.5MICRO METER MINIMUM.

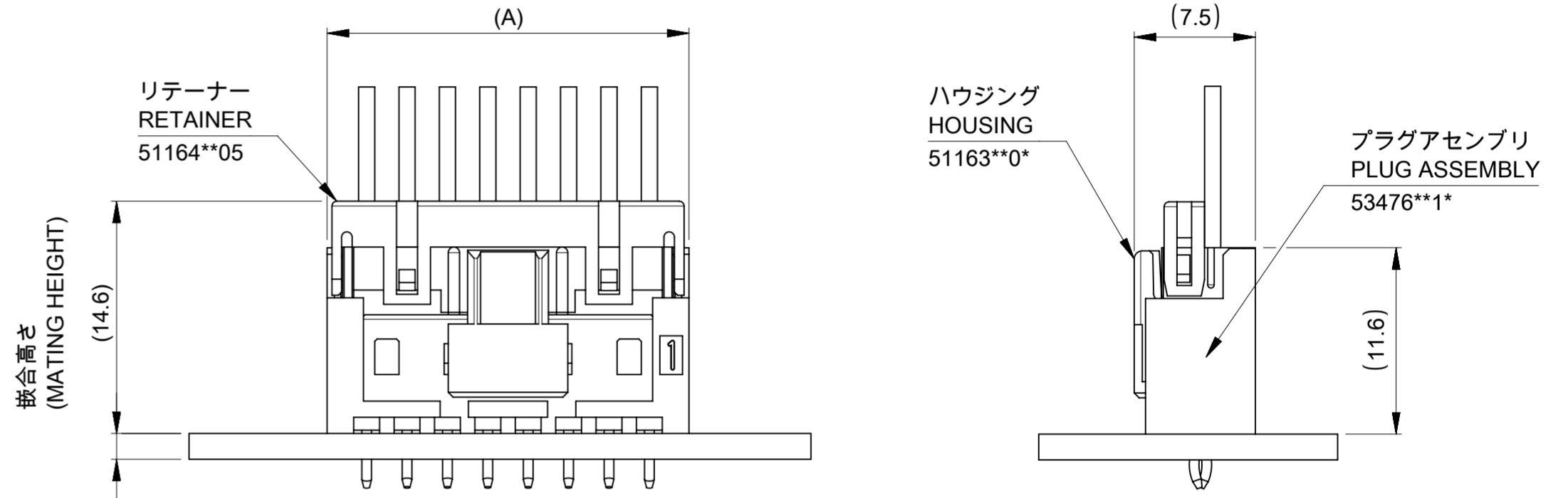
THIS DRAWING CONTAINS INFORMATION THAT IS PROPRIETARY TO MOLEX ELECTRONIC TECHNOLOGIES, LLC AND SHOULD NOT BE USED WITHOUT WRITTEN PERMISSION													
DIMENSION UNITS mm		SCALE NTS		CURRENT REV DESC:									
GENERAL TOLERANCES (UNLESS SPECIFIED)				<b>molex</b>  MINI-LOCK 2.5 W/B SINGLE ROW VERTICAL PLUG ASSEMBLY  PRODUCT CUSTOMER DRAWING									
ANGULAR TOL ± 3.0°													
4 PLACES ± 0.2		EC NO: 659548								DRWN: RWATANABE01		2021/03/30	
3 PLACES ± 0.2		CHK'D: AIDA								APPR: SAKIYAMA		2021/04/06	
2 PLACES ± 0.2		INITIAL REVISION:								DRWN: RWATANABE01		2020/11/16	
1 PLACE ± 0.2		APPR: SAKIYAMA		DRWN: RWATANABE01		2020/11/20							
0 PLACES ± 0.2		DRAFT WHERE APPLICABLE MUST REMAIN WITHIN DIMENSIONS		THIRD ANGLE PROJECTION		DRAWING		SERIES					
		A2-SIZE		53476		MATERIAL NUMBER		CUSTOMER					
						534760000-SD		GENERAL					
								PSD 000 B					
								SHEET NUMBER					
								1 OF 2					



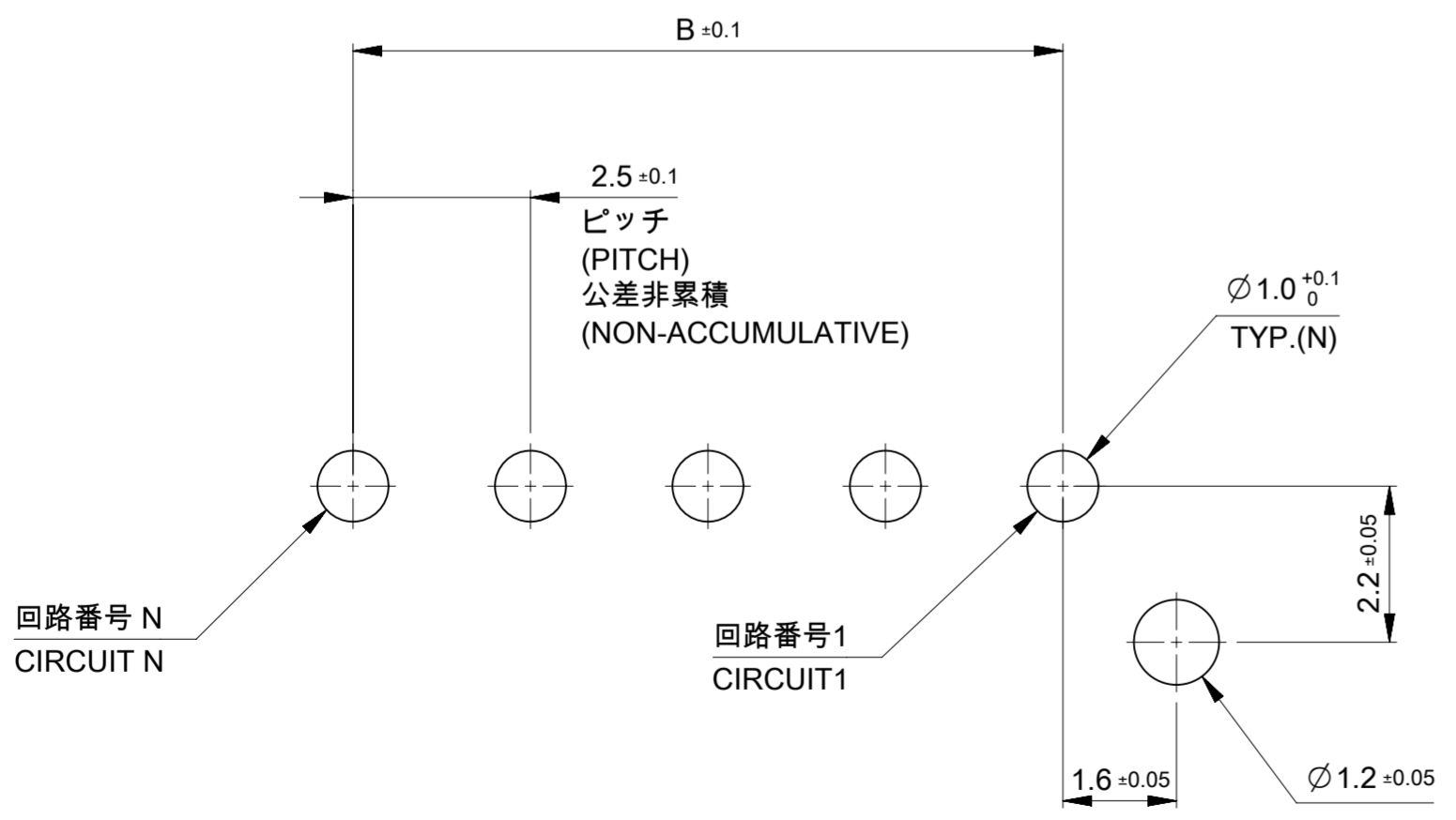
ロック形状図  
LOCK CONFIGURATION



製品レイアウト  
PRODUCT LAYOUT



嵌合図  
MATED CONNECTORS



基板取付穴推奨寸法(マウント面)  
RECOMMENDED PCB HOLE DIMENSION  
(MOUNTING SIDE), (t=1.6)

THIS DRAWING CONTAINS INFORMATION THAT IS PROPRIETARY TO MOLEX ELECTRONIC TECHNOLOGIES, LLC AND SHOULD NOT BE USED WITHOUT WRITTEN PERMISSION																																																																																																															
DIMENSION UNITS		SCALE		CURRENT REV DESC:																																																																																																											
mm		NTS		<table border="1"> <tr> <td colspan="4" rowspan="2"><b>molex</b></td> <td colspan="2">MINI-LOCK 2.5 W/B</td> <td colspan="2">SINGLE ROW VERTICAL PLUG ASSEMBLY</td> </tr> <tr> <td colspan="4">PRODUCT CUSTOMER DRAWING</td> </tr> <tr> <td colspan="2">GENERAL TOLERANCES (UNLESS SPECIFIED)</td> <td colspan="2">EC NO: 659548</td> <td colspan="2">DRWN: RWATANABE01</td> <td colspan="2">2021/03/30</td> </tr> <tr> <td colspan="2">ANGULAR TOL ± 3.0°</td> <td colspan="2">4 PLACES ± 0.2</td> <td colspan="2">CHK'D: AIDA</td> <td colspan="2">2021/04/06</td> </tr> <tr> <td colspan="2">3 PLACES ± 0.2</td> <td colspan="2">2 PLACES ± 0.2</td> <td colspan="2">APPR: SAKIYAMA</td> <td colspan="2">2021/04/06</td> </tr> <tr> <td colspan="2">1 PLACE ± 0.2</td> <td colspan="2">INITIAL REVISION:</td> <td colspan="2">DRWN: RWATANABE01</td> <td colspan="2">2020/11/16</td> </tr> <tr> <td colspan="2">0 PLACES ± 0.2</td> <td colspan="2">APPR: SAKIYAMA</td> <td colspan="2">2020/11/20</td> <td colspan="2">DOCUMENT NUMBER</td> </tr> <tr> <td colspan="2">DRAFT WHERE APPLICABLE MUST REMAIN WITHIN DIMENSIONS</td> <td colspan="2">THIRD ANGLE PROJECTION</td> <td colspan="2">DRAWING</td> <td colspan="2">SERIES</td> <td colspan="2">MATERIAL NUMBER</td> </tr> <tr> <td colspan="2"></td> <td colspan="2"></td> <td colspan="2">A2-SIZE</td> <td colspan="2">53476</td> <td colspan="2">534760000-SD</td> </tr> <tr> <td colspan="2"></td> <td colspan="2"></td> <td colspan="2"></td> <td colspan="2">CUSTOMER</td> <td colspan="2">GENERAL</td> </tr> <tr> <td colspan="2"></td> <td colspan="2"></td> <td colspan="2"></td> <td colspan="2"></td> <td colspan="2">SHEET NUMBER</td> </tr> <tr> <td colspan="2"></td> <td colspan="2"></td> <td colspan="2"></td> <td colspan="2"></td> <td colspan="2">2 OF 2</td> </tr> </table>						<b>molex</b>				MINI-LOCK 2.5 W/B		SINGLE ROW VERTICAL PLUG ASSEMBLY		PRODUCT CUSTOMER DRAWING				GENERAL TOLERANCES (UNLESS SPECIFIED)		EC NO: 659548		DRWN: RWATANABE01		2021/03/30		ANGULAR TOL ± 3.0°		4 PLACES ± 0.2		CHK'D: AIDA		2021/04/06		3 PLACES ± 0.2		2 PLACES ± 0.2		APPR: SAKIYAMA		2021/04/06		1 PLACE ± 0.2		INITIAL REVISION:		DRWN: RWATANABE01		2020/11/16		0 PLACES ± 0.2		APPR: SAKIYAMA		2020/11/20		DOCUMENT NUMBER		DRAFT WHERE APPLICABLE MUST REMAIN WITHIN DIMENSIONS		THIRD ANGLE PROJECTION		DRAWING		SERIES		MATERIAL NUMBER						A2-SIZE		53476		534760000-SD								CUSTOMER		GENERAL										SHEET NUMBER										2 OF 2	
<b>molex</b>														MINI-LOCK 2.5 W/B		SINGLE ROW VERTICAL PLUG ASSEMBLY																																																																																															
										PRODUCT CUSTOMER DRAWING																																																																																																					
GENERAL TOLERANCES (UNLESS SPECIFIED)		EC NO: 659548								DRWN: RWATANABE01		2021/03/30																																																																																																			
ANGULAR TOL ± 3.0°		4 PLACES ± 0.2								CHK'D: AIDA		2021/04/06																																																																																																			
3 PLACES ± 0.2		2 PLACES ± 0.2		APPR: SAKIYAMA		2021/04/06																																																																																																									
1 PLACE ± 0.2		INITIAL REVISION:		DRWN: RWATANABE01		2020/11/16																																																																																																									
0 PLACES ± 0.2		APPR: SAKIYAMA		2020/11/20		DOCUMENT NUMBER																																																																																																									
DRAFT WHERE APPLICABLE MUST REMAIN WITHIN DIMENSIONS		THIRD ANGLE PROJECTION		DRAWING		SERIES		MATERIAL NUMBER																																																																																																							
				A2-SIZE		53476		534760000-SD																																																																																																							
						CUSTOMER		GENERAL																																																																																																							
								SHEET NUMBER																																																																																																							
								2 OF 2																																																																																																							
DOCUMENT STATUS				P1		RELEASE DATE		2021/04/06 06:45:34																																																																																																							