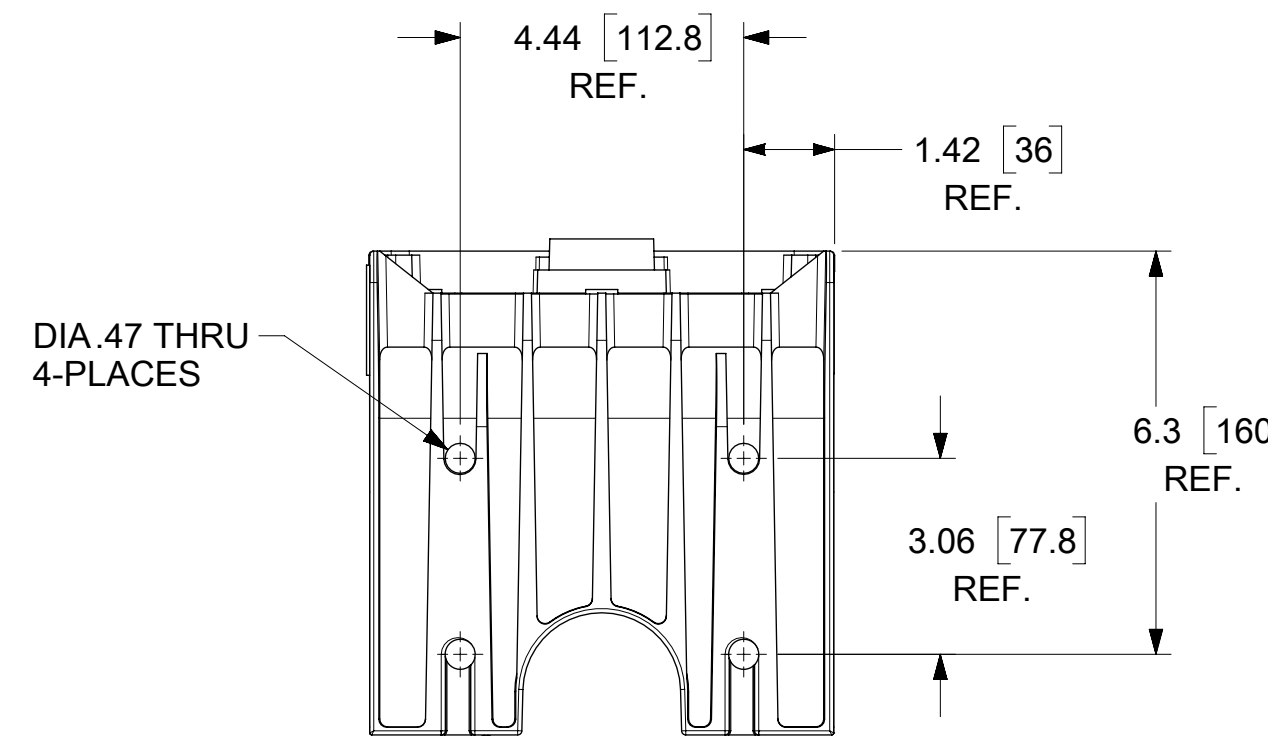
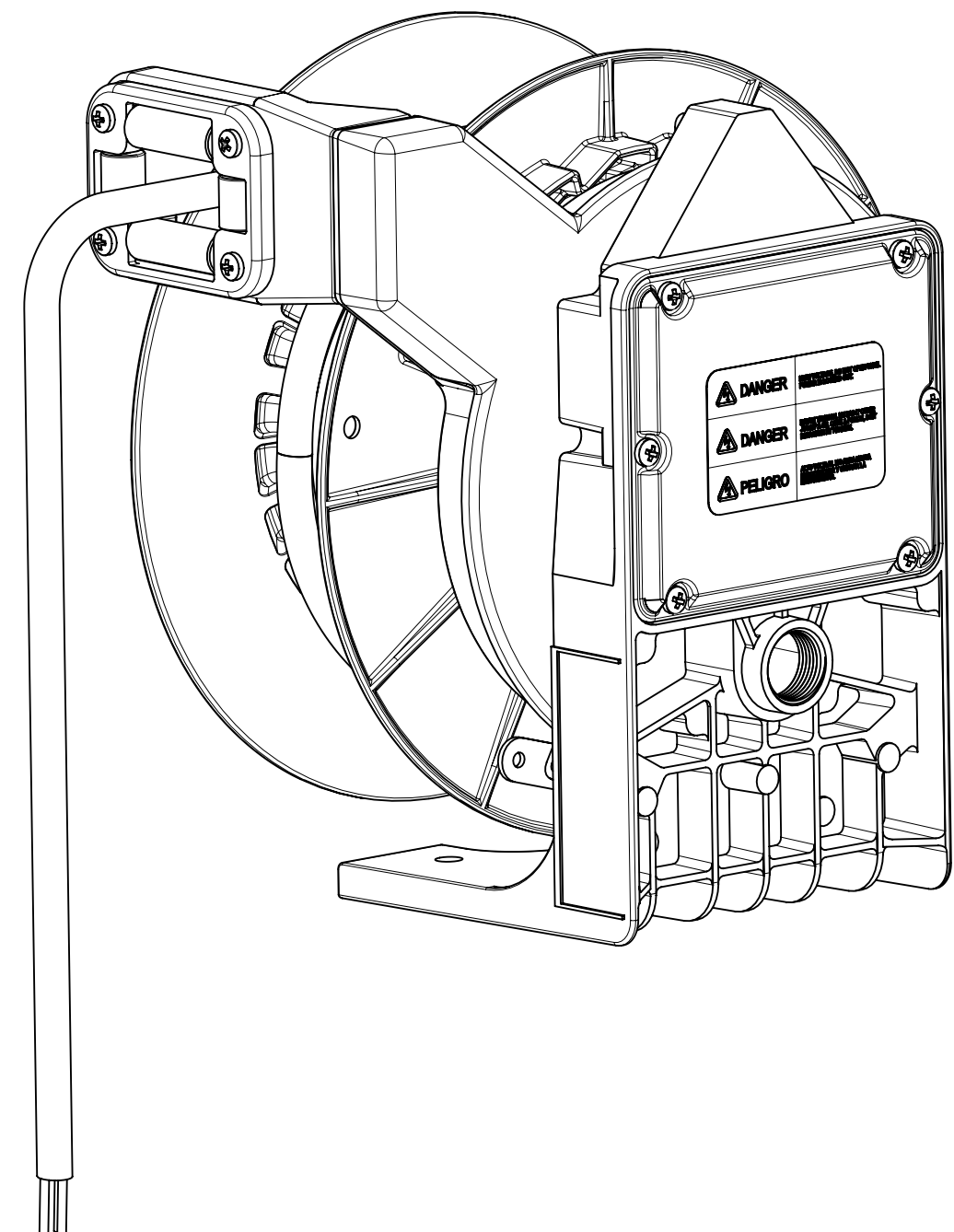
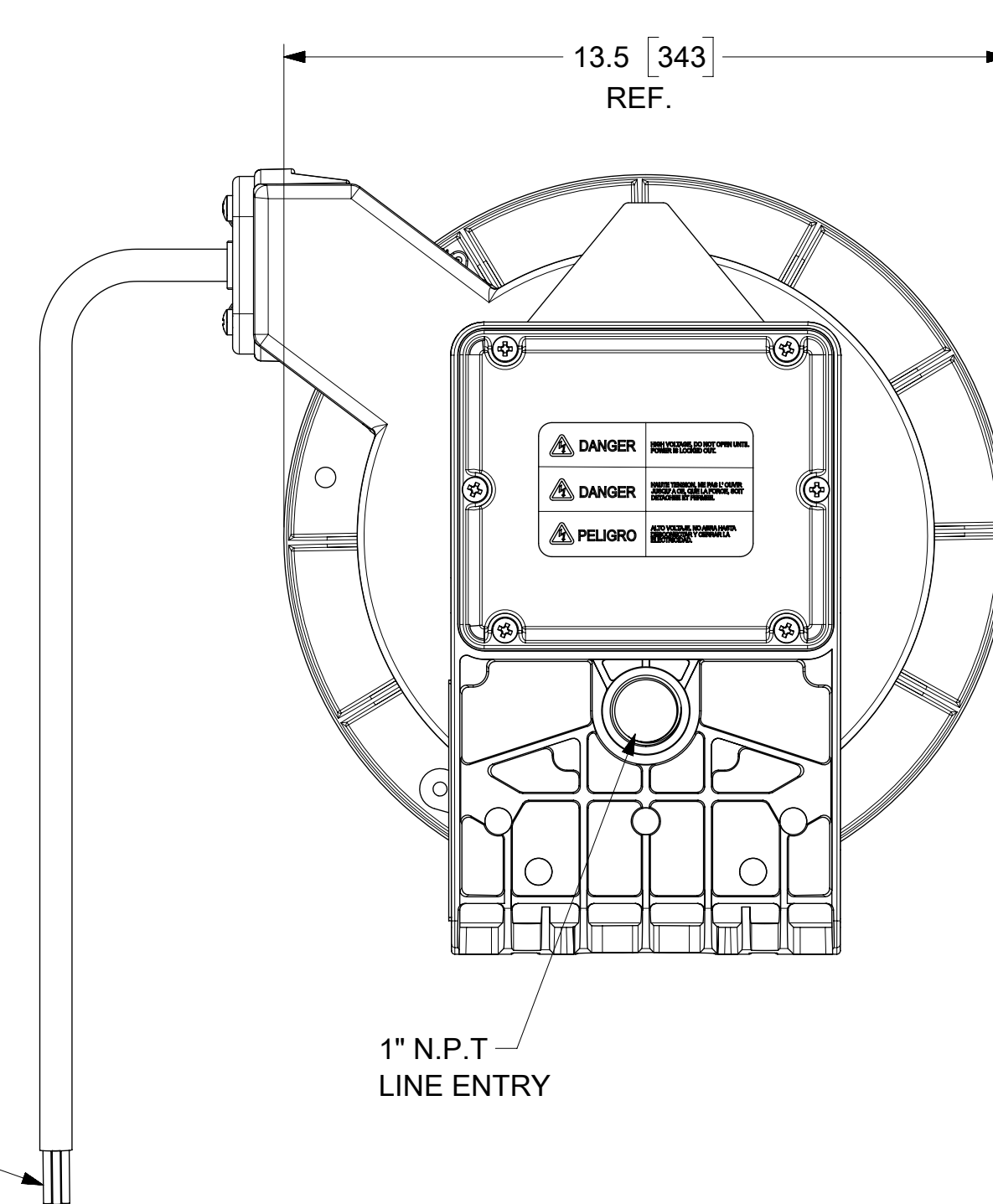
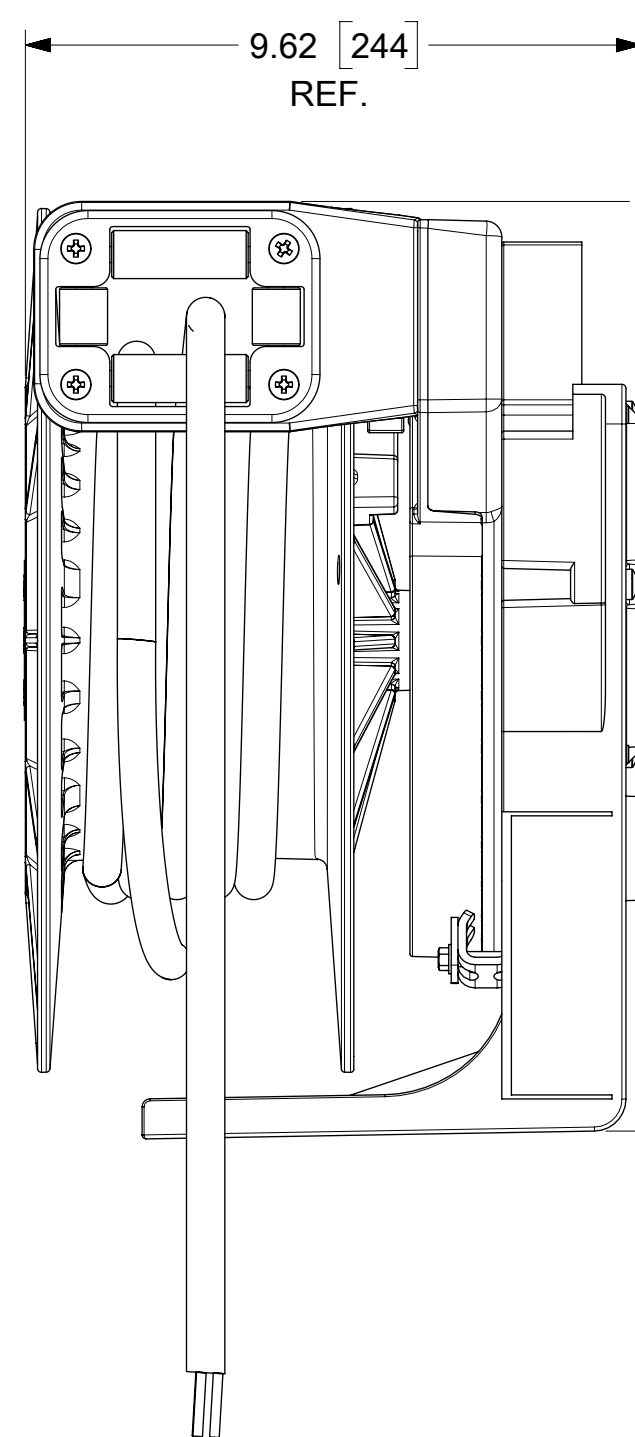


ORDER NO	130083-0242
WOODHEAD ENG. NO	9253
WIRE GAUGE	14
CONDUCTORS	3
AMPERAGE	13A
WORKING CORD	25 FT. YELLOW
CORD TYPE	SOOW
CONSTRUCTION	HEAVY WALL CAST ALUMINUM
PAINT	YELLOW POWDER COAT
REEL ENCLOSURE RATING	NEMA 4 INDOOR / OUTDOOR
RETRACTION WEIGHT	4.0 LB [1.8 KG]



**BOTTOM VIEW**

- NOTES:**
1. CABLE GUIDE IS ADJUSTABLE EVERY 5 DEGREES OVER 270 DEGREE ARC.
  2. RATCHET LOCK IS EASY TO DISENGAGE FOR CONSTANT TENSION.
  3. REEL CANNOT BE "LOCKED OUT" AT FULL EXTENSION.
  4. BALL STOP IS OPTIONAL: ORDER No. 130226-4374 / WOODHEAD ENG. No. 9521

FUNCTIONAL SYMBOLS	THIS DRAWING CONTAINS INFORMATION THAT IS PROPRIETARY TO MOLEX ELECTRONIC TECHNOLOGIES, LLC AND SHOULD NOT BE USED WITHOUT WRITTEN PERMISSION			
	DIMENSION UNITS	SCALE		CURRENT REV DESC: RELEASE CUSTOMER DRAWING
$F_A = 0$	INCH/MM	NTS		<p>EC NO: 674250</p> <p>DRWN: VHANDI 2020/07/15</p> <p>CHK'D: DSOPPIN 2022/05/11</p> <p>APPR: HKNEELAND 2022/05/13</p> <p>INITIAL REVISION:</p> <p>DRWN: VHANDI 2020/07/15</p> <p>APPR: HKNEELAND 2022/05/13</p>
$F_C = 0$	GENERAL TOLERANCES (UNLESS SPECIFIED)			
$F_D = 0$		MM	INCH	
DIVISIONAL SYMBOLS	4 PLACES	±	±	
	3 PLACES	±	± 0.005	
	2 PLACES	± 0.13	± 0.01	
	1 PLACE	± 0.25	± 0.02	
	0 PLACES	±	±	
	ANGULAR TOL	± 0.5°		
	DRAFT WHERE APPLICABLE MUST REMAIN WITHIN DIMENSIONS	THIRD ANGLE PROJECTION	DRAWING C-SIZE	SERIES 130083

<b>molex</b>			
CABLE REEL - INDUSTRIAL DUTY 25' #14-3 SOOW			
PRODUCT CUSTOMER DRAWING			
DOCUMENT NUMBER	DOC TYPE	DOC PART	REVISION
1300830242	PSD	000	A
MATERIAL NUMBER	CUSTOMER	SHEET NUMBER	
SEE TABLE	GENERAL MARKET	1 OF 1	